

Epson Stylus® Pro 7880/9880

USER'S GUIDE

All rights reserved. No part of this publication may be reproduced, stored in a retrieval system, or transmitted in any form or by any means, electronic, mechanical, photocopying, recording, or otherwise, without the prior written permission of Seiko Epson Corporation. The information contained herein is designed only for use with these Epson printers. Epson is not responsible for any use of this information as applied to other printers.

Trademarks

Epson, Epson Stylus, and MicroWeave are registered trademarks and Epson Exceed Your Vision is a trademark of Seiko Epson Corporation.

UltraSmooth is a registered trademark; PhotoEnhance and Epson UltraChrome K3 are trademarks; and Epson Preferred is a service mark of Epson America, Inc.

General Notice: Other product names used herein are for identification purposes only and may be trademarks of their respective owners. Epson disclaims any and all rights in those marks.

The contents of this manual are subject to change without notice.

The ENERGY STAR emblem does not represent EPA endorsement of any product or service.

Legal Notices

Neither Seiko Epson Corporation nor its affiliates shall be liable to the purchaser of this product or third parties for damages, losses, costs, or expenses incurred by purchaser or third parties as a result of: accident, misuse, or abuse of this product or unauthorized modifications, repairs, or alterations to this product, or (excluding the U.S.) failure to strictly comply with Seiko Epson Corporation's operating and maintenance instructions.

Seiko Epson Corporation shall not be liable for any damages or problems arising from the use of any options or any consumable products other than those designated as Original Epson Products or Epson Approved Products by Seiko Epson Corporation.



FCC Compliance Statement

For United States Users

This equipment has been tested and found to comply with the limits for a Class A digital device, pursuant to Part 15 of the FCC Rules. These limits are designed to provide reasonable protection against harmful interference when the equipment is operated in a commercial environment. This equipment generates, uses, and can radiate radio frequency energy and, if not installed and used in accordance with the instruction manual, may cause harmful interference to radio communications. Operation of this equipment in a residential area is likely to cause harmful interference, in which case the user will be required to correct the interference at his own expense.

This device complies with Part 15 of the FCC Rules. Operation is subject to the following two conditions:

- (1) this device may not cause harmful interference, and
- (2) this device must accept any interference received, including interference that may cause undesired operation.

WARNING

The connection of a non-shielded equipment interface cable to this equipment will invalidate the FCC Certification of this device and may cause interference levels which exceed the limits established by the FCC for this equipment. It is the responsibility of the user to obtain and use a shielded equipment interface cable with this device. If this equipment has more than one interface connector, do not leave cables connected to unused interfaces. Changes or modifications not expressly approved by the manufacturer could void the user's authority to operate the equipment.

For Canadian Users

This Class A digital apparatus complies with Canadian ICES-003.

Cet appareil numérique de la classe A est conforme à la norme NMB-003 du Canada.

WARNING

This is a Class A product. In a domestic environment this product may cause radio interference, in which case the user may be required to take adequate measures.

Contents

Introduction

Warnings, Cautions, Notes, and Tips	11
Options and Accessories.	12
Where To Get Help.	13
Macintosh System Requirements	13
Windows System Requirements.	14
Important Safety Instructions	15
Ink Cartridge Safety Instructions.	17
Printer Parts.	18

1 Setting Up the Printer

Unpacking and Assembling the Epson Stylus Pro 7880	19
Unpacking and Assembling the Stand	20
Unpacking the Printer.	22
Mounting the Printer on the Stand	24
Attaching the Paper Basket	27
Unpacking and Assembling the Epson Stylus Pro 9880	29
Unpacking and Assembling the Stand	30
Unpacking the Printer.	31
Mounting the Printer on the Stand	33
Attaching the Paper Basket	36
Connecting the Power Cord	39
Installing Ink	40
Connecting to Your System	42
Updating Your Printer Firmware	42
Checking the Current Firmware Version.	43
Downloading the Firmware.	43
Updating the Firmware	43
Configuring the Printer for Your Network.	44

2 Handling Paper and Other Media

Selecting Media for Your Printer	45
Available Epson Special Media	46
Guidelines for Using Epson Media	55
Using Roll Paper	55
Roll Paper Guidelines	55
Loading the Paper onto the Spindle.	57
Placing the Paper in the Printer.	58
Removing Paper from the Spindle.	60
Switching Between 2-Inch and 3-Inch Roll Paper	61
Cutting Paper Manually with the Built-in Cutter	61
Printing Trim Lines.	62
Using Cut Sheet Paper.	63
Loading Cut Sheets	63
Loading Small Cut Sheets or Fine Art Paper	64
Printing on Posterboard	65
Adjusting the Platen Gap for Thick or Thin Paper	68
Using the Paper Basket	69
Catching Printouts From the Epson Stylus Pro 7880	69
Catching Printouts in Front of the Epson Stylus Pro 9880	71
Catching Printouts Under the Epson Stylus Pro 9880.	72
Optimizing the Settings for Your Paper	74
Creating Paper Configurations	74
Printing Your Paper Configurations	76
Selecting Paper Configurations	76

3 Printing With Epson Drivers for Macintosh

Sizing Images for Borderless Printing on Roll Paper	78
Choosing Page Setup Options	79
Choosing Basic Print Options	82
Selecting the Correct Media Type Setting	84
Choosing Color Management Options	86
Choosing Paper Configuration Options	87
Choosing Roll Paper Options	89
Controlling Borderless Image Expansion	90
Choosing Advanced Black and White Photo Settings	91
Creating a Custom Preset and Printing	93
Managing Print Jobs	94

4 Printing With Epson Drivers for Windows

Sizing Images for Borderless Printing on Roll Paper	96
Choosing Basic Print Options	97
Selecting the Correct Media Type Setting	99
Choosing Color Management Options	101
Choosing Roll Paper Options	103
Choosing Cut Sheet Paper Options	106
Choosing Page Layout Options	109
Choosing Advanced Black and White Photo Settings	110
Choosing Paper Configuration Options	112
Saving, Exporting, and Importing Custom Settings	116
Saving and Exporting a Custom Settings Group	116
Importing a Custom Settings Group	117
Loading a Pre-Defined Settings Group	117
Editing Printer Driver Settings	118
Managing Print Jobs	119
Using the Progress Meter	119
Optimizing Print Speed	120
Setting Monitoring Preferences	121

5 Managing Color With Profiles

Macintosh Printing With a Color Profile	123
Setting Up Photoshop and Assigning a Profile.	123
Selecting Print Settings and Printing	126
Windows Printing With a Color Profile.	127
Setting Up Photoshop and Assigning a Profile.	127
Selecting Print Settings and Printing	129

6 Maintaining and Transporting the Printer

Checking Printer Status and Part Life	131
Printing Status Information.	132
Viewing Status Information.	132
Checking Printer Status From the Printer Driver	134
Checking and Cleaning the Print Head	135
Running the Nozzle Check and Head Cleaning Utilities.	135
Checking and Cleaning the Print Head Using the Control Panel . .	136
Manually Checking and Cleaning the Print Head	137
Running a Power Cleaning Cycle	138
Aligning the Print Head.	139
Manually Aligning the Print Head	140
Replacing Ink Cartridges	141
Switching Black Ink Cartridges	145
Draining the Old Ink	145
Installing the New Black Ink Cartridge	147
Updating the Printer Driver Information	148
Changing the Date and Time	149
Using Maintenance Mode	149
Replacing the Paper Cutter Blade	151
Removing the Old Blade.	151
Installing the New Cutter Blade	153
Replacing the Maintenance Tank.	154
Cleaning the Printer.	156
Transporting or Storing the Printer	157
Preparing the Printer for Shipment	158
Moving the Printer on the Stand.	160
Setting Up the Printer After Transportation	161

7 Solving Problems

Diagnosing Problems	163
Checking Error Messages and Lights	164
Improving Print Quality	168
Solving Operational Problems	172
Solving Miscellaneous Printing Problems.	173
Solving Paper Problems	174
Fixing Paper Eject Problems	175
Clearing Paper Jams	176
Solving Problems With the Optional Auto Take-Up Reel	178
Uninstalling and Reinstalling the Printer Driver	178

A Specifications

Environmental	181
Electrical	181
Dimensions and Weight	182
Printer Interfaces	182
Safety Approvals.	182
Media	182
Roll Paper	182
Cut Sheets.	184
Printable Area	187
Ink Cartridges	188

B Installing and Using Optional Equipment

Installing the Manual Media Cutting System.	190
Removing the Manual Media Cutting System.	191
Using the Auto Take-Up Reel	192
Loading Roll Paper Onto the Take-Up Reel	193
Printing Using the Auto Take-Up Reel	198
Adjusting the Auto Take-Up Reel Sensor	199

C Control Panel Summary

Control Panel Buttons and Lights	201
Buttons	201
Lights	203
LCD Display Messages and Icons	203
Messages	203
Icons	204
Menu Setting Summary	206
Index	211

Introduction

This *User's Guide* provides important information on setting up and using your printer, loading paper, using the Epson® printer drivers, and replacing ink cartridges. It also tells you how to maintain your printer to keep it working at its best, and provides troubleshooting tips in case you have a problem.

For additional information, see the following:

- The *Quick Reference Guide* provides a handy summary of procedures for daily use and printer maintenance—loading paper, replacing ink cartridges and other components, cleaning and aligning the print head, and using the printer's menu system. Attach it to your printer for easy reference.
- The *Printer Guide* for a printed version of this manual with a bit less detail.
- The on-screen *Network Guide* on the CD-ROM provides instructions for setting up and using your printer on a network.

Warnings, Cautions, Notes, and Tips

Please follow these guidelines as you use this book:

WARNINGS must be followed carefully to avoid bodily injury.

Cautions must be observed to avoid damage to your equipment.

Notes contain important information about your printer.

Tips contain additional hints on how to get the most out of your printer.

Tip: Check the Epson Pro Imaging website at www.proimaging.epson.com for accessories and options that are currently available.

Options and Accessories

Your Epson Stylus® Pro 7880/9880 offers these optional upgrades and accessories:

Optional equipment

Option	Part number
Automatic Take-Up Reel System (Pro 9880 only); see page 192 for instructions on using this option	C12C815251
Replacement 44-inch Take-Up Reel Core (Pro 9880 only)	C815121
Paper Roller Spindle (Normal Tension) — 2- or 3-inch	
Epson Stylus Pro 7880:	C12C811161
Epson Stylus Pro 9880:	C12C811151
Paper Roller Spindle (High Tension) — 2- or 3-inch	
Epson Stylus Pro 7880:	C12C811155
Epson Stylus Pro 9880:	C12C811152
Manual Media Cutting System* (See page 190 for instructions on installing this option.)	
Epson Stylus Pro 7880:	C12C815231
Epson Stylus Pro 9880:	C815182
Replacement Manual Cutting Blade (for Manual Media Cutting System)	C815192
One-year extended warranty	EPP7898B1
Two-year extended warranty	EPP7898B2

* Designed for use with heavy media, which can damage the printer's built-in cutter.

In addition, you can order these user-replaceable items:

Consumables and user-replaceable parts

Part	Part number
Replacement Ink Maintenance Tank (see page 154)	C12C890191
Replacement Printer Cutter Blade (see page 151)	C12C815291
Ink Cartridges	See page 142 for a complete list.

You can purchase optional equipment and genuine Epson ink and paper from an Epson Professional Imaging Authorized Reseller. To find the nearest reseller, visit www.proimaging.epson.com (U.S. sales), www.epson.ca (Canadian sales), or call 800-GO-EPSON (800-463-7766). Or you can purchase online at www.proimaging.epson.com (U.S. sales) or www.epson.ca (Canadian sales).

Where To Get Help

Tip: If you experience difficulty with the toll-free line or your Unit ID number, call (562) 276-1305.

Epson provides technical support and information on the installation, configuration, and operation of professional printing products through the Epson PreferredSM Limited Warranty Plan. Dial (888) 377-6611, 6 AM to 6 PM, Pacific Time, Monday through Friday. Days and hours of support are subject to change without notice.

Before you call, make sure you have your Unit ID number, which is included with the Epson Preferred Limited Warranty Plan information that came with your printer. You'll also need your printer serial number and proof of purchase.

Visit Epson's **U.S. support website** or **Canadian support website** and select your product for solutions to common problems. You can download drivers, firmware, and documentation, get FAQs and troubleshooting advice, or e-mail Epson with your questions.

Macintosh System Requirements

To use your printer in either a stand-alone or per-to-peer network environment, your Macintosh[®] system should meet these requirements:

- Mac OS[®] X 10.4.9 or higher, or 10.5 or higher
- PowerPC[®] G5, Intel[®], or higher processor
- At least 1GB of RAM (2GB or more recommended)
- At least 30GB of free hard disk space for software and processing files
- Quad-speed (4×) or faster CD-ROM or DVD drive for installing the printer software

Caution: Using an improperly shielded cable—especially a cable more than 10 feet (6 m) long—may cause the printer to malfunction.

Note: USB 2.0 is required to run the printer at full speed.

- For USB connection: a compliant USB Hi-Speed 2.0 port and a shielded USB “AB” cable from Series A (computer) to Series B (printer), up to 10 feet (6 m) long
- For network connection: Ethernet-equipped Macintosh and a Category 6 compatible cable

Windows System Requirements




To use your printer in either a stand-alone or peer-to-peer network environment, your system should meet these requirements:

- IBM®-compatible PC with a Pentium® 4, 3 GHz or higher processor recommended
- Microsoft® Windows® Vista,™ Windows Vista x64, Windows XP Professional x64 Edition, or Windows XP
- At least 1GB of RAM (2GB or more recommended)
- At least 30GB of free hard disk space for software and processing files
- Quad-speed (4×) CD-ROM or DVD drive for installing the printer software
- For USB connection: a Windows-compliant USB Hi-Speed 2.0 port and a shielded USB “AB” cable from Series A (computer) to Series B (printer), up to 10 feet (6 m) long
- For Ethernet connection: Ethernet equipped PC and a Category 6 compatible cable

Important Safety Instructions

Before using your printer, read the following safety instructions to make sure you use the equipment safely and effectively.

- The printer weighs about 108 lb (49 kg) [Epson Stylus Pro 7880] or 198 lb (90 kg) [Epson Stylus Pro 9880] without ink or paper. Make sure you have sufficient assistance when lifting it. (See page 19 for the Pro 7880 or page 29 for the Pro 9880.)
- When setting up the printer, make sure you have enough space around it. You may need more space behind the printer if you print on large sheets of heavy stock or posterboard. (See page 19 for the Pro 7880 or page 29 for the Pro 9880.)
- Place the printer on a flat, stable surface. The printer will not operate properly if it is tilted or at an angle.
- Avoid places subject to rapid changes in temperature and humidity. Also keep the printer away from direct sunlight, strong light, or heat sources.
- Avoid places subject to shocks and vibrations.
- Keep the printer away from dusty areas.
- Keep your entire computer system away from potential sources of electromagnetic interference, such as loudspeakers or the base units of cordless telephones.
- Place the printer near a wall outlet where the plug can be easily unplugged.
- Use only the type of power source indicated on the label.
- Connect the printer to a properly grounded outlet. Avoid using an outlet on the same circuit as a photocopier or air control system that regularly switches on and off.
- Avoid using electrical outlets controlled by wall switches or timers.
- Use only the power cord that comes with the printer. Use of another cord may result in fire or electric shock.
- The printer's power cord is designed for use with the printer only. Using it with other equipment may result in fire or electric shock.
- Do not use a damaged or frayed power cord.

Caution: Always turn the printer off using the  Power button. When you press this button, **POWER OFF** appears on the LCD panel and the  Power light flashes. Do not unplug the printer or turn off the power to the printer until the panel shuts off and the  Power light stops flashing. This ensures that the print head is safely capped.

- If you use an extension cord with the printer, make sure the total ampere rating of devices plugged into the extension cord does not exceed the cord's ampere rating. Also, make sure the total ampere rating of all devices plugged into the wall outlet does not exceed the wall outlet's ampere rating.
- Do not block or cover the openings in the printer's case.
- Do not put your hand inside the printer during printing.
- Do not move the print head by hand unless instructed to do so by an Epson service technician; otherwise you may damage the printer.
- Do not insert objects through the slots. Take care not to spill liquid on the printer.
- Do not attempt to service the printer yourself.
- Power down the printer from the control panel, unplug the printer, and refer servicing to qualified service personnel under the following conditions:

The power cord or plug is damaged; liquid has entered the printer; the printer has been dropped or the cabinet damaged; the printer does not operate normally or exhibits a distinct change in performance.
- Before transporting the printer, make sure the print head is in the far right (home) position.

For California customers only:

The lithium batteries in this product contain Perchlorate Material - special handling may apply, See www.dtsc.ca.gov/hazardouswaste/perchlorate.

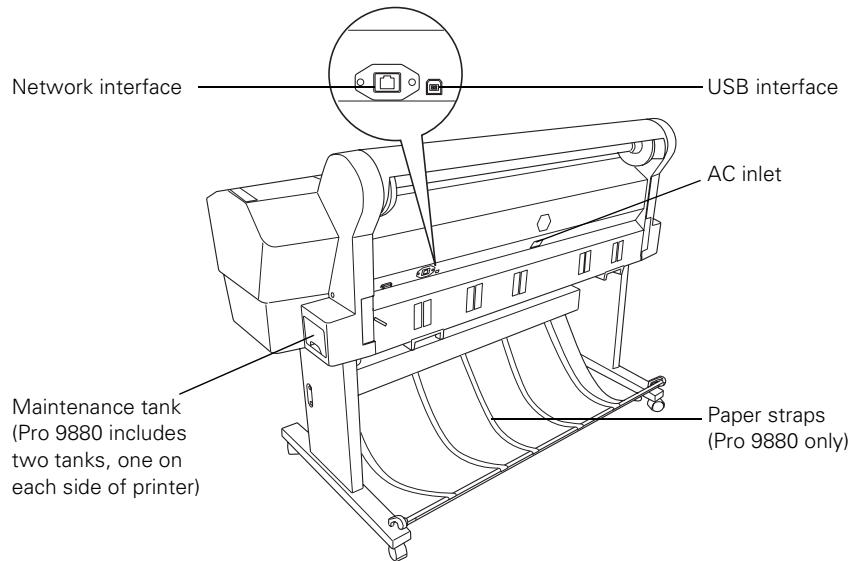
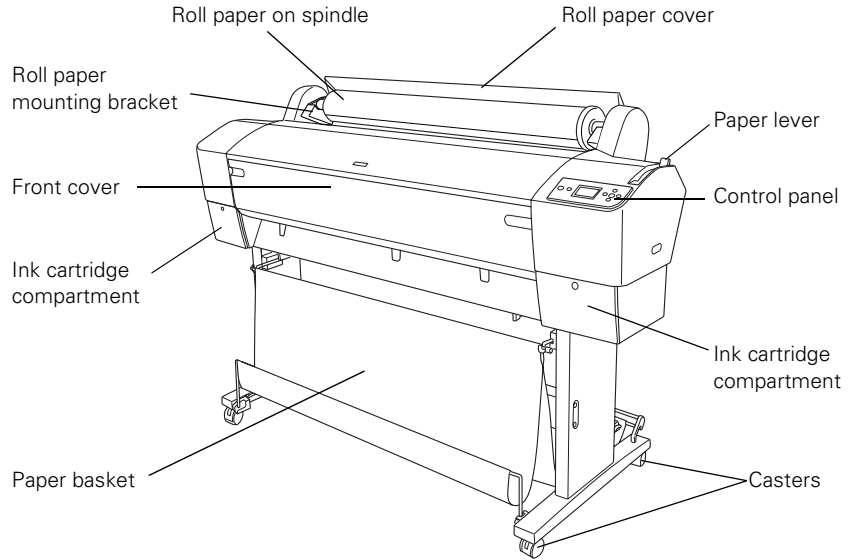
Ink Cartridge Safety Instructions

- Keep ink cartridges out of the reach of children and do not drink the ink.
- Store ink cartridges in a cool, dark place.
- If ink gets on your skin, wash it off with soap and water. If ink gets in your eyes, flush them immediately with water.
- Shake ink cartridges well before installing them for best results.
- Do not use an ink cartridge beyond the date printed on the cartridge carton.
- Use up the ink cartridge within six months of installation for best results.
- Do not dismantle ink cartridges or try to refill them. This could damage the print head.
- After bringing an ink cartridge inside from a cold storage site, allow it to warm up at room temperature for at least three hours before using it.
- The IC chip on the ink cartridge retains a variety of cartridge information, which allows you to remove and reinsert it freely. However, each time the cartridge is inserted, some ink is consumed because the printer automatically performs a reliability check.
- If you remove an ink cartridge for later use, protect the ink supply area from dirt and dust, and store it in the same environment as this product. Note that there is a valve in the ink supply port, making covers or plugs unnecessary, but care is needed to prevent ink from staining items that the cartridge touches.
- Do not touch the ink supply port, its surrounding area, or the green IC chip on the side of the ink cartridge. Doing so may affect normal operation and printing.

Caution: Do not use too much force when you shake cartridges that have been previously installed.

Printer Parts

These illustrations show the Epson Stylus Pro 9880, but the parts are the same for the Pro 7880 unless otherwise noted.



Chapter 1: Setting Up the Printer

This chapter includes the following information:

- Unpacking and assembling the Pro 7880 and Pro 9880
- Connecting the power cord
- Installing ink
- Connecting to your computer and a network
- Installing the printer software for Macintosh or Windows
- Updating the printer firmware
- Configuring the printer for a network

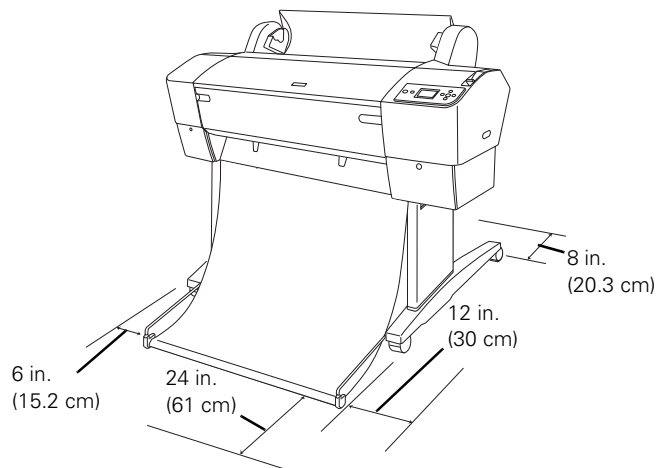
Unpacking and Assembling the Epson Stylus Pro 7880

WARNING: Two people are required to unpack and set up the printer.

Follow these steps to assemble your printer and its stand. (If you have the Epson Stylus Pro 9880, see page 29 instead.)

Before you begin, make sure you have sufficient space to set up and use the printer. The following illustration shows the minimum space required for using the Epson Stylus Pro 7880:

Note: When choosing a place for the printer, leave adequate room for easy access and ventilation. Avoid locations subject to direct sunlight, excessive heat, moisture, or dust. Also avoid locations near potential sources of electromagnetic interference, such as loudspeakers, cordless phones, TVs, or air conditioners.

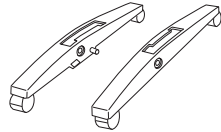


You will also need floor space of approximately 8 × 8 feet (2.4 × 2.4 m) to assemble the printer and stand.

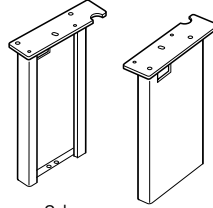
Unpacking and Assembling the Stand

1. Unpack the stand and make sure you have all these items.

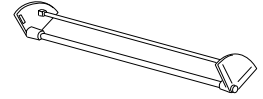
Parts:



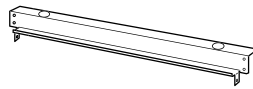
2 Bases



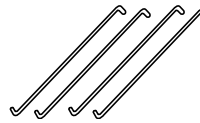
2 Legs



Bottom horizontal strut



Top horizontal strut

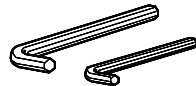


4 Basket hooks



Paper basket

Tools and Accessories:



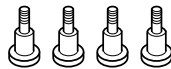
2 Hex wrenches



10 Hex screws
with washers



2 Strut bolts



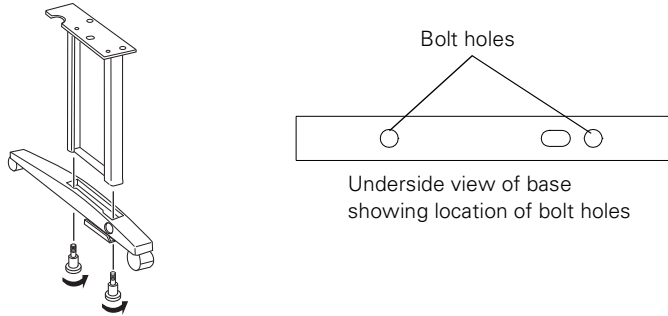
4 Base bolts



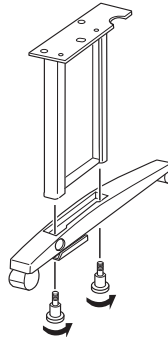
2 Wing screws with
2 lock washers

Note: Make sure you tighten all bolts before moving to the next section.

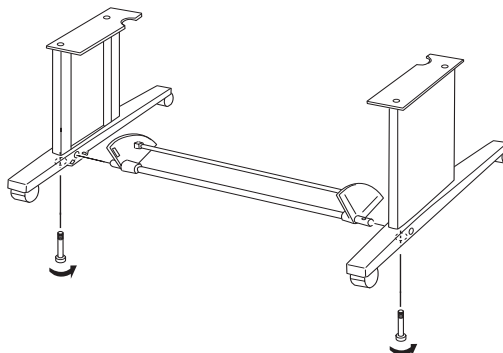
2. Insert the right leg into the right base as shown. (The bases and legs are labeled L and R.) Use the large hex wrench included with the stand to fasten the leg with the two base bolts.



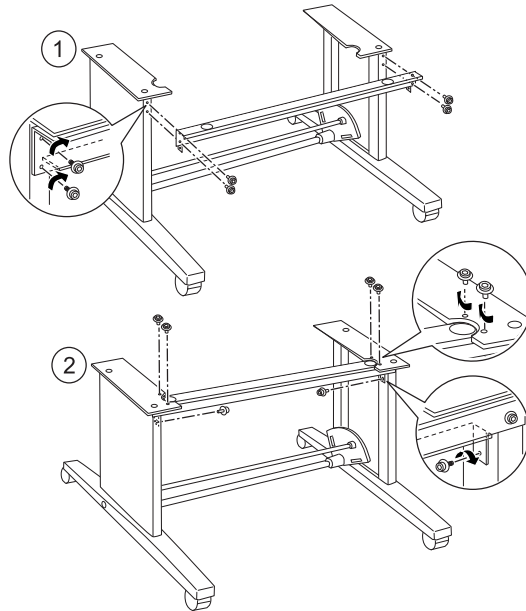
3. Assemble the left leg and base in the same way.



4. Attach the bottom horizontal strut as shown, then fasten it with one strut bolt at each end. Make sure the bolts are tight.



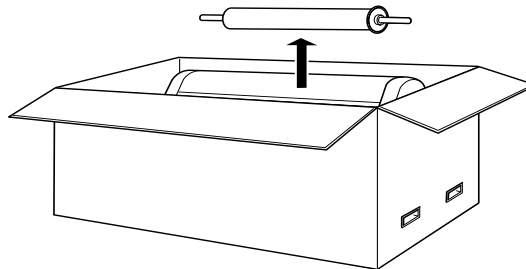
5. Attach the top horizontal strut as shown. Use the small hex wrench to fasten the 10 hex screws with washers.



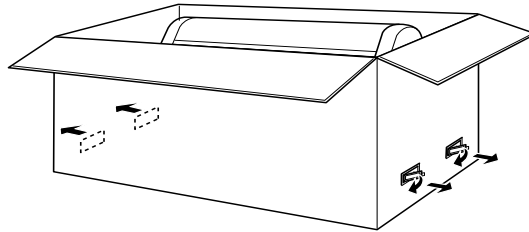
6. Make sure each part of the stand is tightened securely.

Unpacking the Printer

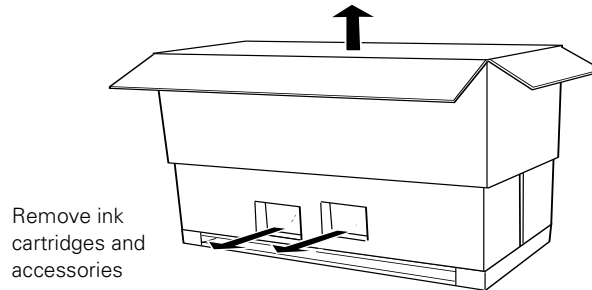
1. Open the box and remove the roll paper, spindle, polystyrene foam, and cardboard cushions.



- Remove the handles from the sides of the box as shown.

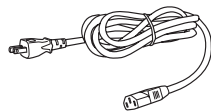


- Lift the box up and away from the printer. Remove the ink cartridges and other accessories from the side as shown below.

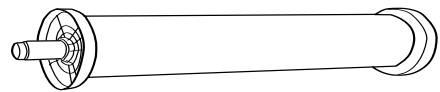


Note: The printer includes a Photo Black cartridge. If you prefer to use Matte Black, the Matte Black cartridge can be purchased separately. See page 141.

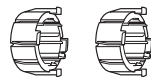
- Make sure you have all the items shown below, in addition to the printer:



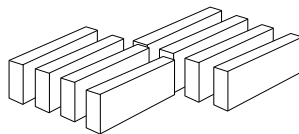
Power cord



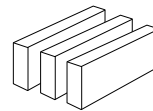
Roll paper and spindle



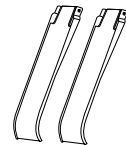
Spindle adapters



8 Ink cartridges

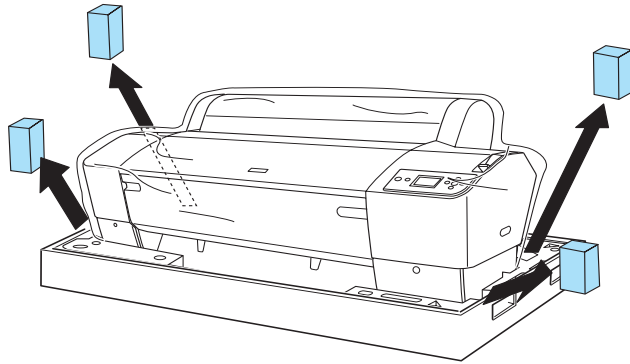


Photo/Matte Black Ink Conversion Kit



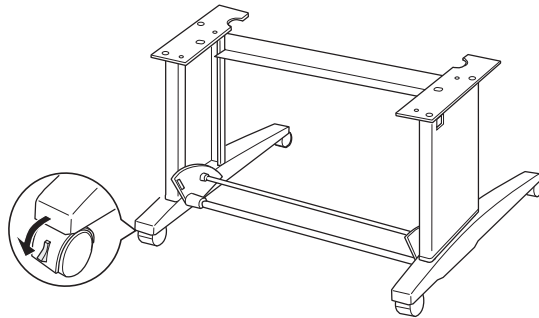
2 Paper guides

5. Remove the cardboard panels and other packing materials from around the printer.



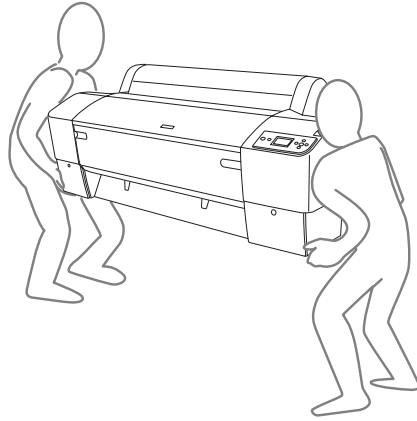
Mounting the Printer on the Stand

1. Lock the casters to keep the stand from rolling.

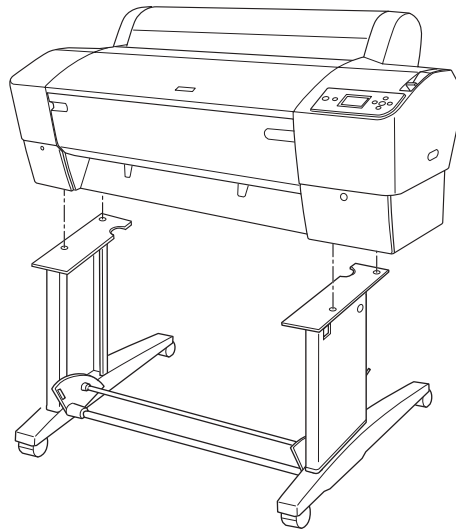


WARNING: Two or more people are required to lift the printer.

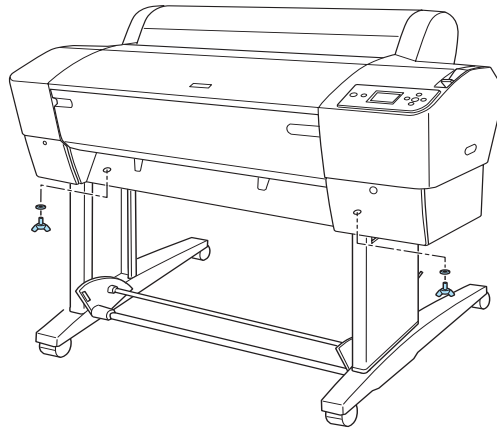
2. Have two people lift the printer.



3. Mount the printer on the stand as shown.



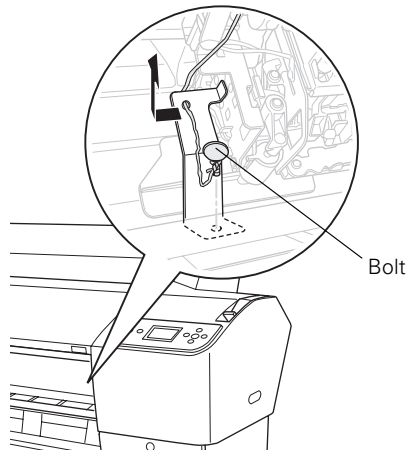
4. Fasten the printer to the stand with the wing screws and washers.



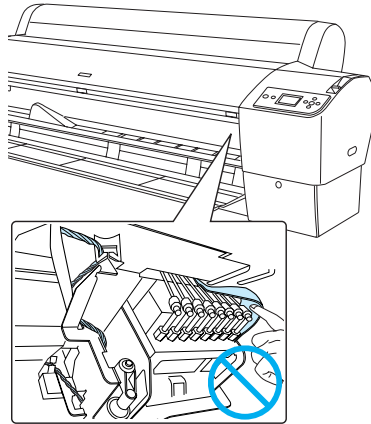
5. Remove any packing tape. Check these areas:
 - the front cover
 - the ink compartment covers
 - the maintenance tank (on the right side near the bottom)
6. Open the front cover. Follow the red wire to locate the bolt and bracket securing the print head. Then unscrew the bolt and remove the bracket as shown.

Note: To prevent paper jams, don't place the bolt back in the printer.

Save the bolt and bracket in case you need to ship the printer.



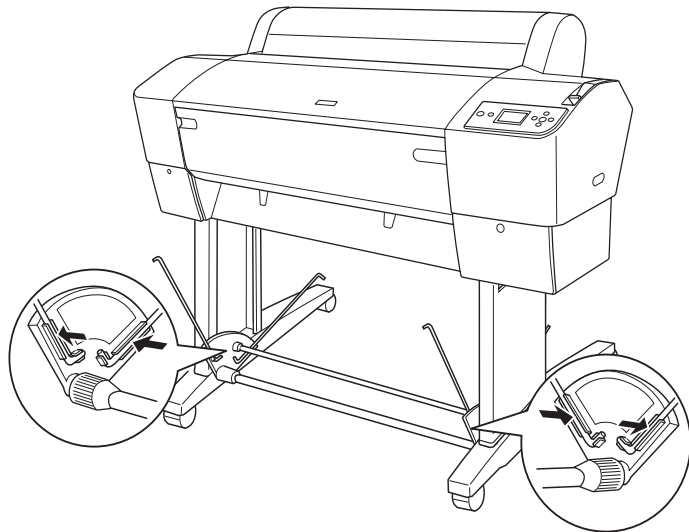
Caution: Do not touch the area shown below or you may damage the printer.



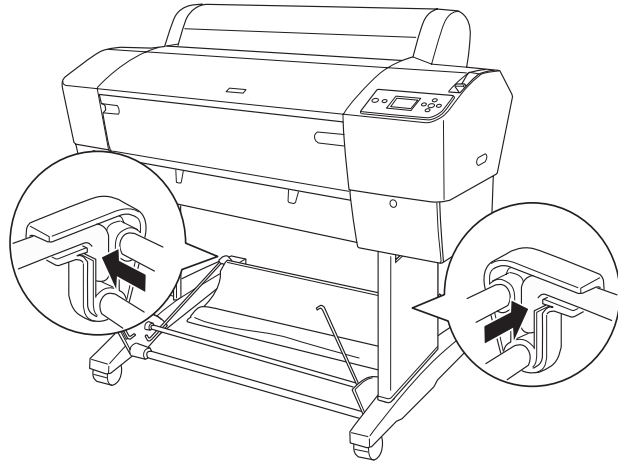
Attaching the Paper Basket

The paper basket is a cloth sheet that attaches to the printer stand and catches your prints as they come out.

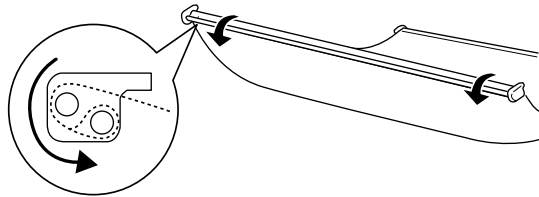
1. Attach the basket hooks as shown. The free ends of the hooks should point outward.



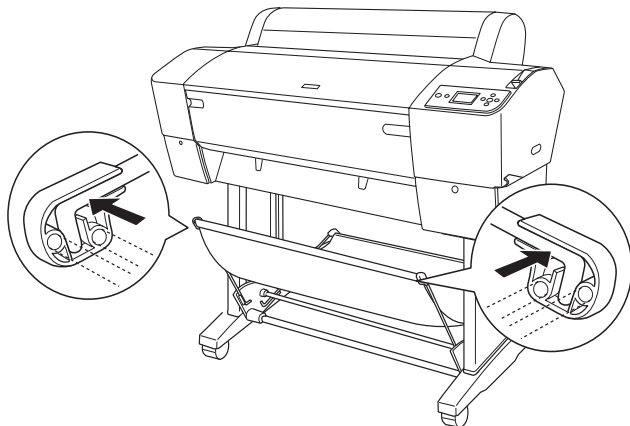
2. Snap the basket's plastic connectors onto the hooks at the rear of the stand. Make sure the connectors are positioned as shown.



3. Rotate the front bar once as shown, so the fabric folds around the bar.



4. Snap the connectors onto the front hooks as shown.



5. If you find that your roll paper is curled too tightly to eject properly, attach the two paper guides to the bottom of the printer. See page 175 for more information.
6. Unlock the casters. Then move the printer to the place of use. (The casters are meant for moving the printer for only a short distance.) Lock the casters after moving.
7. Make sure you save the box and packaging in case you need to ship the printer.

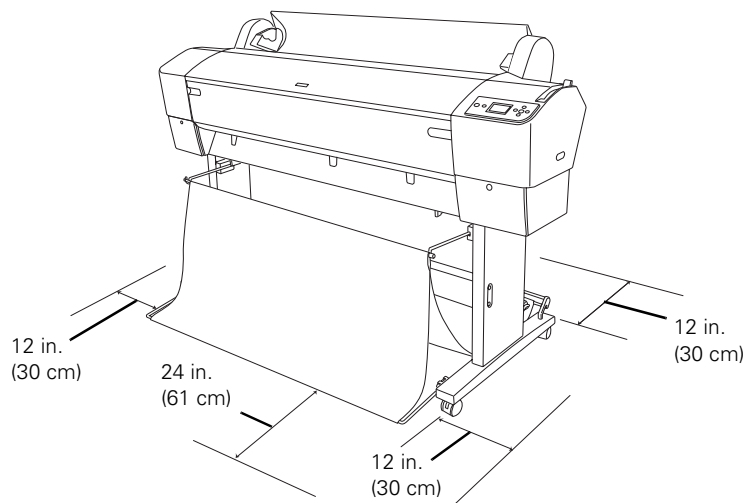
Now go to “Connecting the Power Cord” on page 39.

Unpacking and Assembling the Epson Stylus Pro 9880

WARNING: Two people are required to unpack the printer, and four are needed to set it on the stand.

Follow these steps to assemble your printer and its stand. (If you have the Epson Stylus Pro 7880, see page 19 instead.)

Before you begin, make sure you have sufficient space to set up and use the printer. The following illustration shows the minimum space required for using the Epson Stylus Pro 9880:



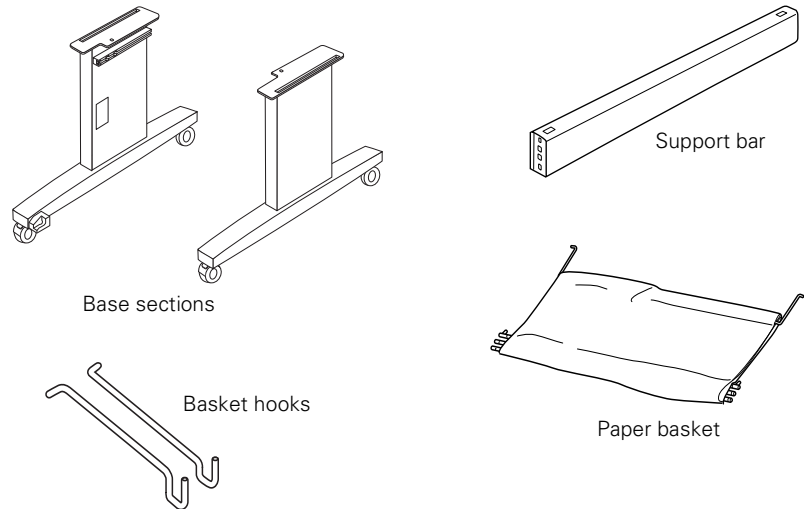
Note: When choosing a place for the printer, leave adequate room for easy access and ventilation. Avoid locations subject to direct sunlight, excessive heat, moisture, or dust. Also avoid locations near potential sources of electromagnetic interference, such as loudspeakers, cordless phones, TVs, or air conditioners.

You will also need floor space of approximately 13 × 13 feet (4 × 4 m) to assemble the printer and stand.

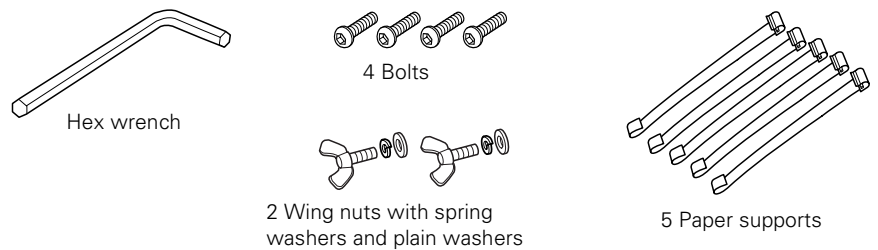
Unpacking and Assembling the Stand

1. Open the box and remove the handles from the sides of the box.
2. Lift the box up, then set it aside.
3. Unpack the stand and make sure you have all these items:

Parts:

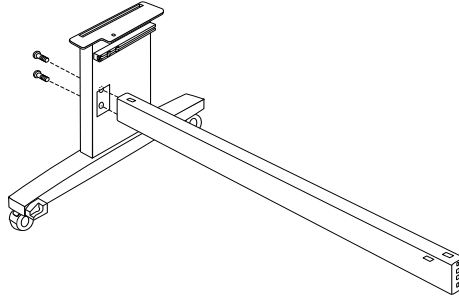


Tools and Accessories:



4. Insert the support bar into one of the base sections as shown. Then attach it with two bolts using the included wrench.

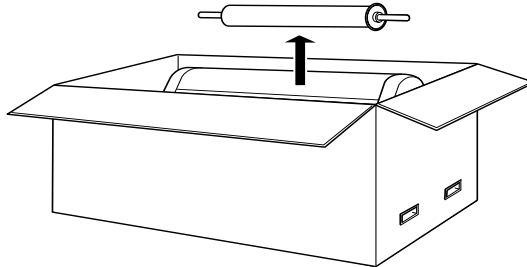
Leave the bolts a little loose, so that you can adjust the position when you insert the bolts at the other end.



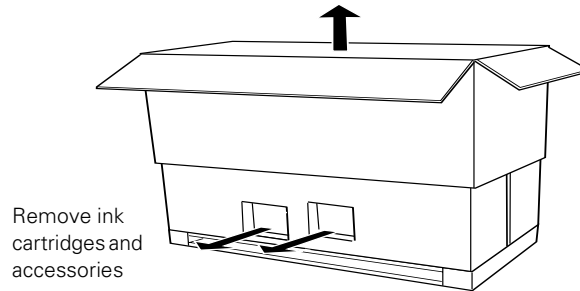
5. Attach the base section to the other end.
6. Tighten all four bolts securely.

Unpacking the Printer

1. Open the box and remove the roll paper, spindle, polystyrene foam, and cardboard cushions.

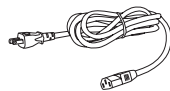


2. Lift the box up and away from the printer. Remove the ink cartridges and other accessories from the side as shown below.



3. Remove the cardboard panels from around the printer.
4. Make sure you have all the items shown below, in addition to the printer:

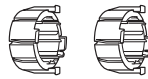
Note: The printer includes a Photo Black cartridge. If you prefer to use Matte Black, the Matte Black cartridge can be purchased separately. See page 141.



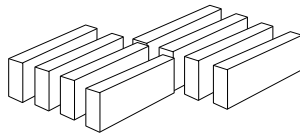
Power cord



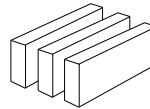
Roll paper and spindle



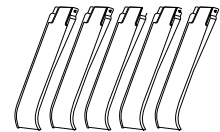
Spindle adapters



8 Ink cartridges



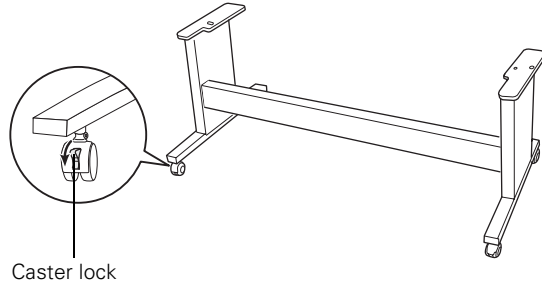
Photo/Matte Black Ink Conversion Kit



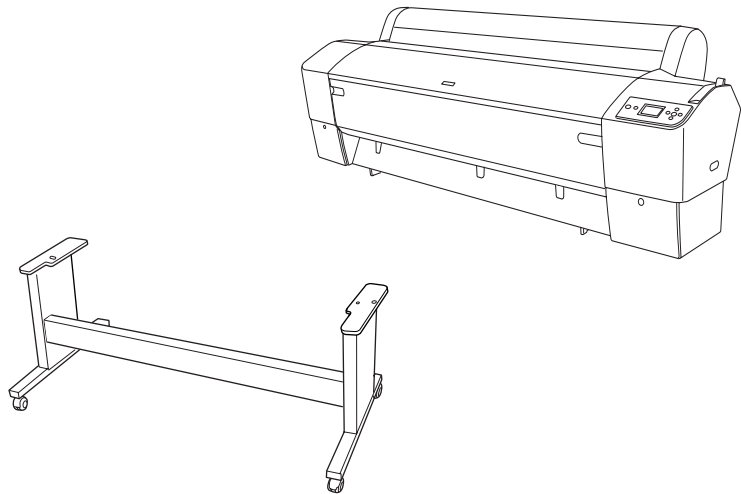
5 Paper guides

Mounting the Printer on the Stand

1. Lock the two casters to keep the stand from rolling.

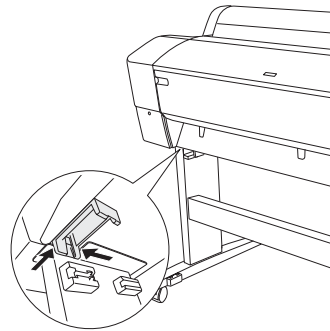
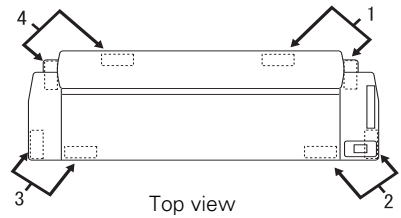
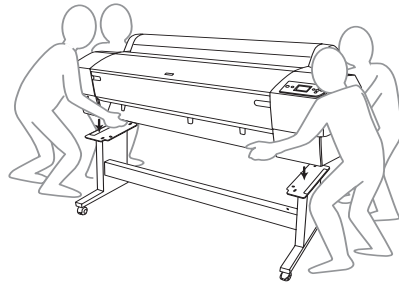


2. Orient the printer in relation to the stand as shown:

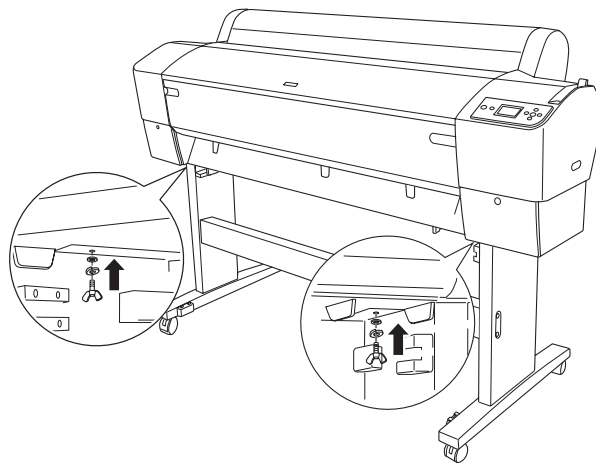


- Using four people, grasp the printer in the four locations as shown, and set the printer on the stand:

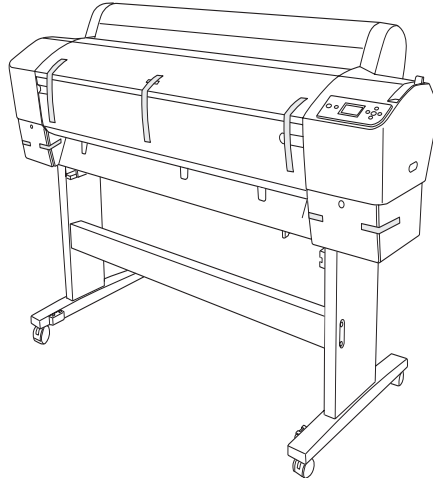
WARNING: Do not attempt to lift the printer with fewer than four people.



- Fasten the printer to the stand with the wing nuts, spring washers, and plain washers.

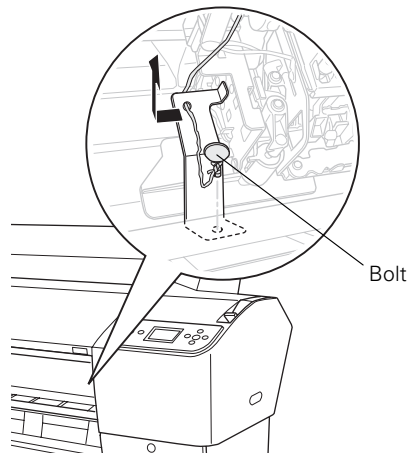


5. Remove any packing tape from the front cover, ink compartment covers, and maintenance tank. Check underneath and on the sides of the printer to make sure you remove all the tape.

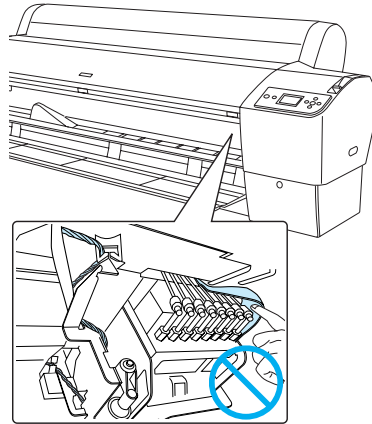


6. Open the front cover. Follow the red wire to locate the screw and bracket securing the print head. Then unscrew the bolt and remove the bracket, as shown.

Save the bolt and bracket in case you need to ship the printer.



Caution: Do not touch the area shown below or you may damage the printer.

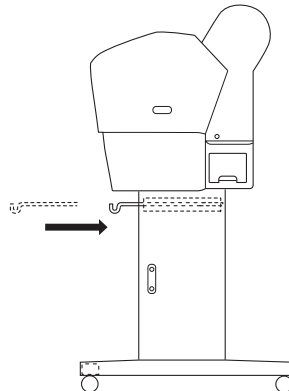


7. Close the front cover.
8. Unlock the casters, move the printer to the place of use, and lock the casters. (The casters are meant for moving the printer for only a short distance.)

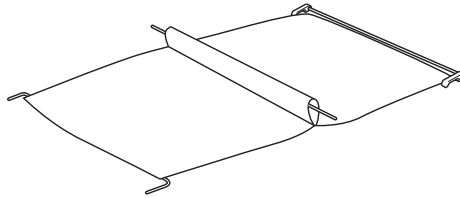
Attaching the Paper Basket

The paper basket is a cloth sheet that attaches to the printer stand and catches your prints as they come out.

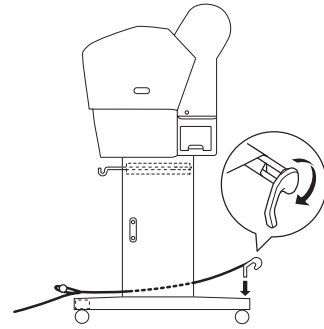
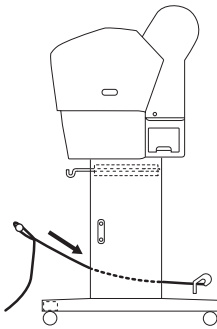
1. Attach the basket hooks to the upper guides on the left and right sides:



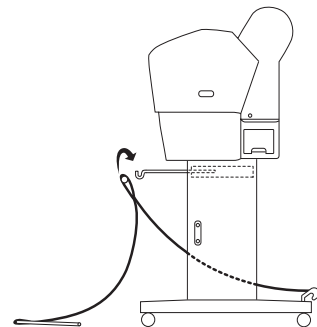
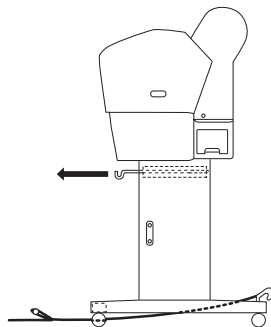
2. Turn the basket so its seams face downward, and spread it on the floor.



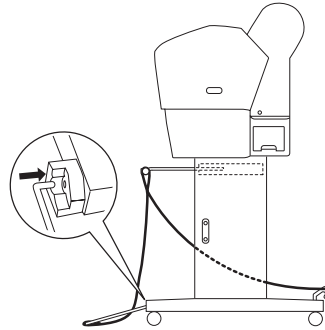
3. Pass the basket's rear bar to the back of the printer. Rotate the bar once so that the fabric folds around the bar. Then insert the plastic pins into the stand as shown.



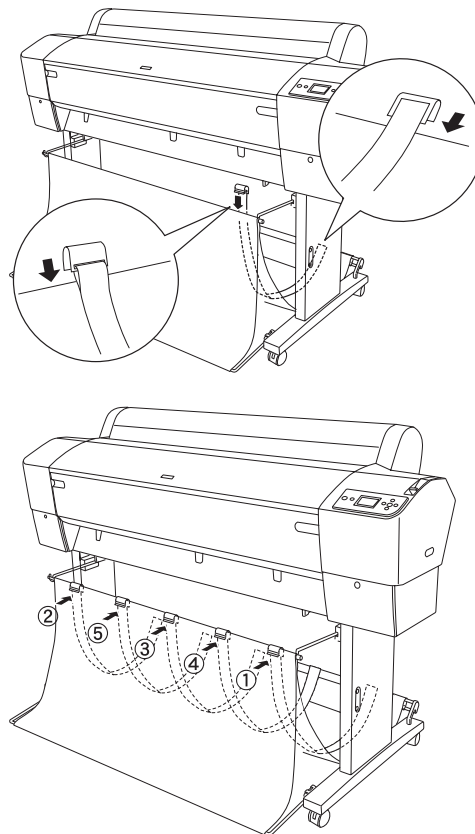
4. Slide out the upper basket hooks to their full length. Then hook the middle bar of the basket as shown.



5. Insert the lower bars into the holes on the bottom of the base as shown.



6. Hook the paper supports so they hang along the inside of the basket. Install them in the order indicated below.

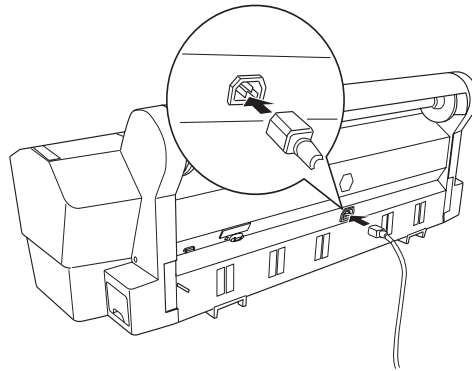


7. If you find that your roll paper is curled too tightly to eject properly, attach the 5 paper guides to the bottom of the printer. See page 175 for more information.

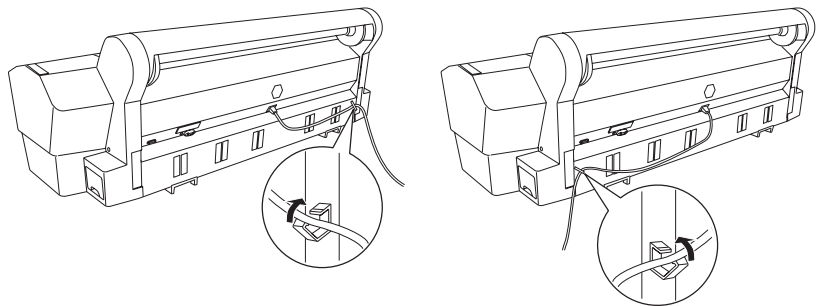
Connecting the Power Cord

Note: The illustrations in the following sections show the Epson Stylus Pro 9880, but the instructions are the same for the Pro 7880.

1. Connect the power cord to the AC inlet on the back of the printer.



2. Route the power cord through one of the hooks on the left or right side as shown.



Caution: Do not use an outlet that is controlled by an automatic timer or wall switch. Otherwise, you may accidentally shut off the printer and cause damage.


3. Plug the power cord into a properly grounded electrical outlet.

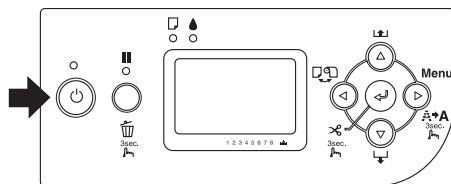
Installing Ink

Use the ink cartridges that came with your printer for initial ink charging. During the initial installation process, it is normal for up to one-third of the ink in each cartridge to be used.

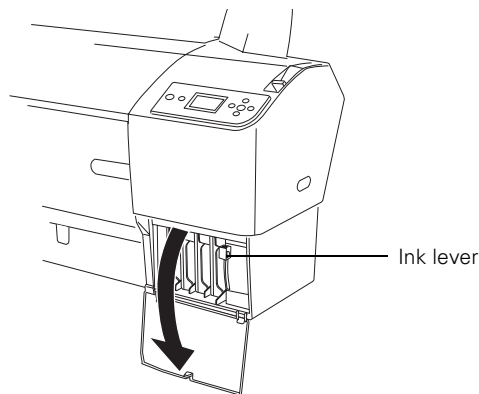
Note: The default black ink cartridge is Photo Black. If you prefer to use Matte Black (sold separately; see page 141), you can install the Matte Black cartridge immediately instead of installing the supplied Photo Black cartridge.

The cartridges shipped with your printer are provided mainly to charge the ink system. Make sure you order a set of cartridges as soon as possible.

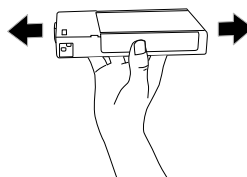
1. Press the  Power button to turn on the printer. In a moment, **INSTALL INK CARTRIDGE** appears on the LCD display.



2. Press both ink compartment covers to open them. Make sure the ink levers are in the unlocked (raised) position.



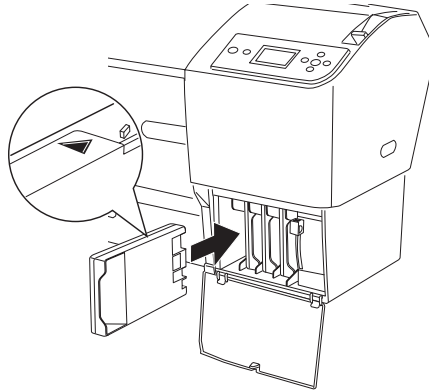
3. Remove the ink cartridges from their packages, then gently shake each cartridge.





Note: You need to be present during the ink installation process. Do not leave the printer unattended.

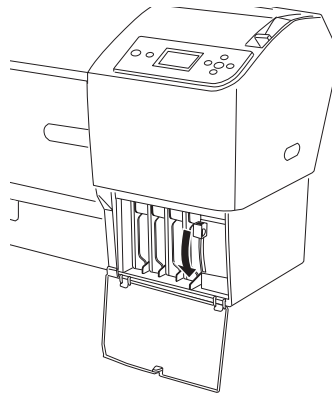
4. Install the ink cartridges in the printer.


Hold each cartridge with the arrow pointing toward the printer, then insert it into its slot. Make sure you insert each cartridge all the way into the correct slot and that you see the corresponding ink cartridge icon on the LCD display.



5. After installing all 8 cartridges, lower the ink levers. The printer begins charging the ink delivery system and the  Power light flashes.

Caution: Charging takes about 12 minutes. Never turn off the printer, release the paper lever, or open the front cover while the  Power light is flashing, or you may damage the printer.



6. When messages appear on the LCD display, follow the instructions to raise or lower the ink levers, and to close the ink compartment covers. Charging is finished when the  Power light stays lit green and the PAPER OUT message appears.

After ink charging is completed, you need to load paper before READY will appear on the display. See page 45 for instructions.

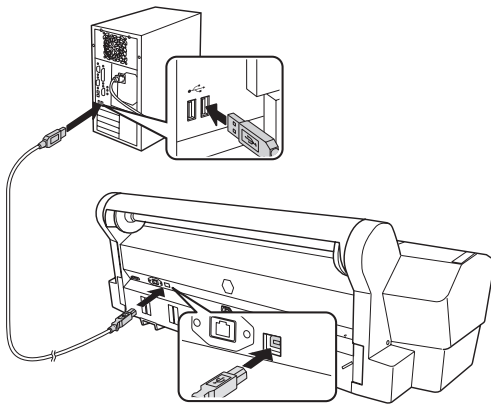
Connecting to Your System

You can use USB and/or Ethernet network connections.

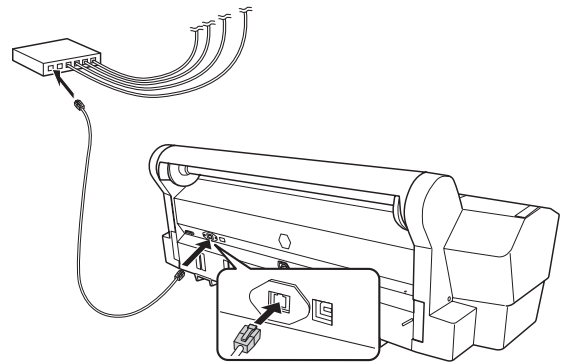
For USB connection, make sure your system has the appropriate port and you have a standard, shielded cable 10 feet (6 m) long or less.

To connect to a network hub, you need a standard RJ-45 CAT-6 network cable. To connect directly to your computer's network interface, you need an RJ-45 CAT-6 crossover cable.

1. Make sure that both the printer and the computer are turned off.
2. Plug the interface cable into the appropriate port on the printer.



USB connection



Network connection

3. Plug the other end of the cable into the appropriate connector on your computer, or network switch or hub.

Updating Your Printer Firmware

To keep your printer features and functionality up to date, you should check for a newer version of firmware on the Epson support site and update your printer, if necessary.

Tip: For best results, use a USB connection when you update the firmware on your printer.

Checking the Current Firmware Version

1. Press the **Menu** button.
2. Press the ▼ button until **PRINTER STATUS** is highlighted, then press **Menu**.
3. Press **Menu** again and note the firmware version displayed. When done, press the ◀ button.

Downloading the Firmware

1. Visit Epson's [U.S. support website](#) or [Canadian support website](#) and select your product.
2. Click **Drivers and Downloads**.
3. Choose the firmware update version for Macintosh or Windows and follow the instructions on the screen.

You may also need to download the latest version of the EPSON LFP Remote Panel utility.

Updating the Firmware

Caution: Don't turn off the printer while the firmware is updating.

1. Double-click the firmware file to extract it.
2. Click the **EPSON LFP Remote Panel** icon on your desktop. You see the LFP Remote Panel. Make sure your printer is selected.
3. Click the **Firmware Updater** button.
4. Click one of the **Update** buttons. You see the **Firmware Updater** window.
5. Make sure your printer is turned on, its LCD displays **Ready**, and it is connected to your computer or network, then choose your printer.
6. Click **Browse** and find the firmware file that you just downloaded and extracted. Select the file and click **Choose**.
7. If the firmware version of the file is newer, click **Update** to start the firmware updating process. (If it is the same, you don't need to update.)

Note: For more information on using the LFP Remote Panel, click **Help** to see the on-screen guide.

Note: After you install the software, you need to load paper and print a test image. If the print quality is satisfactory, your setup is done. If not, you may need to align the print head, as described on page 139.

- When the update is complete, close the Firmware Updater window and Epson LFP Remote window.

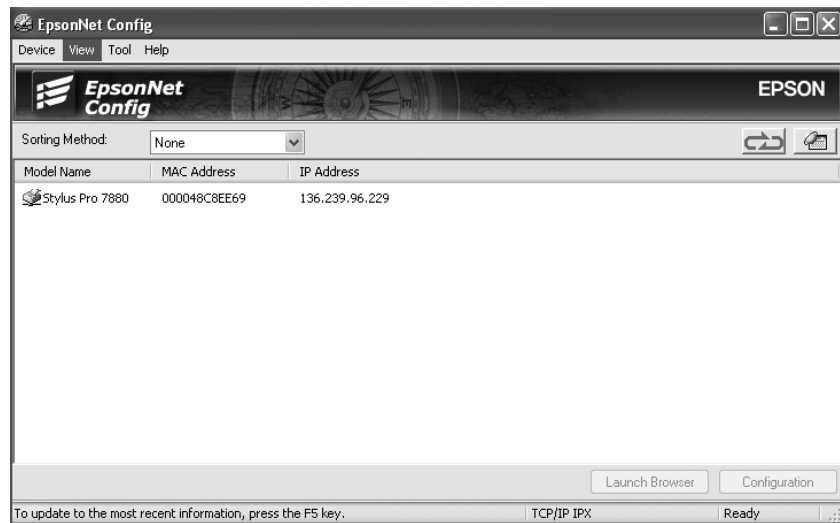
If you connected your printer to a network, follow the instructions in the next section to configure the printer for your network.

Configuring the Printer for Your Network

Once the printer is connected to your network, follow these steps to configure it:

- Turn on the printer.
- Start EpsonNet Config.

The EpsonNet Config program searches for all Epson printers on the network and displays the MAC address for each printer that it finds.



- Highlight the printer that you want to configure and click **Configuration** to access the TCP/IP selection screen.
- If necessary, contact your network administrator for instructions on assigning an appropriate IP address.

For more information, see the on-screen *Network Guide*.

Chapter 2: Handling Paper and Other Media

The Epson Stylus Pro 7880 and Pro 9880 print on a variety of media, including roll paper and cut sheets in widths up to 24 inches (610 mm) [Pro 7880] or 44 inches (1118 mm) [Pro 9880]. You can also use heavy stock, such as posterboard up to 59 mil (1.5 mm) thick.

This chapter includes the following information:

- Selecting media for your printer
- Using roll paper
- Using cut sheet paper
- Using the paper basket
- Optimizing the settings for your paper

Selecting Media for Your Printer

Epson offers a variety of coated, glossy, matte, and fine art paper, as well as other media, for your printer. For a list of available media, see page 46.

The following table shows the paper sizes you can use:

Supported paper sizes

	Roll paper	Cut sheets
Pro 9880	8 to 44.0 in. (203 to 1118 mm) wide	Letter size up to 44 in. (112 cm) wide
Pro 7880	8 to 24.0 in. (203 to 610 mm) wide	Letter size up to 24 in. (61 cm) wide
Maximum external roll diameter	2 in. core: 4 in. (103 mm) 3 in. core: 6 in. (150 mm)	—
Thickness	3.15 to 19.7 mil (0.8 to 0.5 mm)	3.15 to 59 mil (0.8 to 1.5 mm)

Always test samples of paper stock in the printer before purchasing large quantities or printing large jobs. If you use non-Epson paper or other media, you may need to adjust various settings and create special paper configurations. See page 74 for instructions.

Available Epson Special Media

Epson offers the media listed here for a variety of applications. Some media are also available in smaller cut sheet sizes and narrower rolls. Check the **Epson Professional Imaging website** or your Epson Professional Imaging Authorized Reseller for available media.

For more details about compatible papers, see page 182.

Roll Papers

Epson Stylus Pro 7880

Epson paper name	Size	Part number	Recommended application
Premium Glossy Photo Paper (250)	16" × 100' (41 cm × 30 m)	S041742	Photo Contract Proofing
	24" × 100' (61 cm × 30 m)	S041638	
Premium Luster Photo Paper (260)	10" × 100' (25 cm × 30 m)	S042077	
	20" × 100' (51 cm × 30 m)	S042079	
	24" × 100' (61 cm × 30 m)	S042081	
Premium Semimatte Photo Paper (260)	16" × 100' (41 cm × 30 m)	S042149	
Doubleweight Matte Paper	24" × 82' (61 cm × 25 m)	S041385	POP 2D CAD/GIS
Singleweight Matte Paper	17" × 131' (43 cm × 40 m)	S041746	Imposition Proofing
	24" × 131.7' (61 cm × 40 m)	S041853	
Proofing Paper Commercial	13" × 100' (33 cm × 30 m)	S042144	Contract Proofing
	17" × 100' (43 cm × 30 m)	S042145	
	24" × 100' (61 cm × 30 m)	S042146	

Epson Stylus Pro 7880

Epson paper name	Size	Part number	Recommended application
Enhanced Matte Paper	17" × 100' (43 cm × 30 m)	S041725	POP 3D CAD/GIS Photo/Fine Art
	24" × 100' (61 cm × 30 m)	S041595	
Canvas	24" × 40' (61 cm × 12 m)	S041531	Photo/Fine Art
PremierArt™ Water Resistant Canvas for Epson	13" × 20' (33 cm × 6.1 m)	SP91220	
	17" × 10' (43 cm × 3 m)	SP91221-S	
	17" × 40' (43 cm × 12 m)	SP91221	
	24" × 40' (61 cm × 12 m)	SP91222	
Piezo Pro Matte Canvas	13" × 20' (33 cm × 6.1 m)	S041992	
	17" × 7' (43 cm × 2.1 m)	S041993-S	
	17" × 40' (43 cm × 12 m)	S041993	
	24" × 40' (61 cm × 12 m)	S041994	
Textured Fine Art Paper	17" × 50' (43 cm × 15 m)	S041745	
	24" × 50' (61 cm × 15 m)	S041447	
UltraSmooth® Fine Art Paper	17" × 7' (43 cm × 2.1 m)	S041782-S	
	24" × 50' (61 cm × 15 m)	S041782	
Enhanced Adhesive Synthetic Paper	24" × 100' (61 cm × 30 m)	S041617	POP Sign and Display

Epson Stylus Pro 9880

Epson paper name	Size	Part number	Recommended application
Premium Glossy Photo Paper (250)	16" × 100' (41 cm × 30 m)	S041742	Photo Contract Proofing
	24" × 100' (61 cm × 30 m)	S041638	
	36" × 100' (91 cm × 30 m)	S041639	
	44" × 100' (112 cm × 30 m)	S041640	
Premium Luster Photo Paper (260)	10" × 100' (25 cm × 30 m)	S042077	
	16" × 100' (41 cm × 30 m)	S042079	
	20" × 100' (51 cm × 30 m)	S042080	
	24" × 100' (61 cm × 30 m)	S042081	
	36" × 100' (91 cm × 30 m)	S042082	
	44" × 100' (112 cm × 30 m)	S042083	
Premium Semimatte Photo Paper (260)	16" × 100' (41 cm × 30 m)	S042149	
	24" × 100' (61 cm × 30 m)	S042150	
	36" × 100' (91 cm × 30 m)	S042151	
	44" × 100' (112 cm × 30 m)	S042152	

Epson Stylus Pro 9880

Epson paper name	Size	Part number	Recommended application
Doubleweight Matte Paper	24" × 82' (61 cm × 25 m)	S041385	POP 2D CAD/GIS Imposition Proofing
	36" × 82' (91 cm × 25 m)	S041386	
	44" × 82' (112 cm × 25 m)	S041387	
Singleweight Matte Paper	17" × 131' (43 cm × 40 m)	S041746	
	24" × 131.7' (61 cm × 40 m)	S041853	
	36" × 131.7' (91 cm × 40 m)	S041854	
	44" × 131.7' (112 cm × 40 m)	S041855	
Proofing Paper Commercial	13" × 100' (33 cm × 30 m)	S042144	Contract Proofing
	17" × 100' (43 cm × 30 m)	S042145	
	24" × 100' (61 cm × 30 m)	S042146	
	36" × 100' (91 cm × 30 m)	S042147	
	44" × 100' (112 cm × 30 m)	S042148	
Enhanced Matte Paper	17" × 100' (43 cm × 30 m)	S041725	POP 3D CAD/GIS Photo/Fine Art
	24" × 100' (61 cm × 30 m)	S041595	
	36" × 100' (91 cm × 30 m)	S041596	
	44" × 100' (112 cm × 30 m)	S041597	

Epson Stylus Pro 9880

Epson paper name	Size	Part number	Recommended application
Canvas	24" × 40' (61 cm × 12 m)	S041531	Photo/Fine Art
	36" × 40' (91 cm × 12 m)	S041532	
	44" × 40' (112 cm × 12 m)	S041533	
PremierArt Water Resistant Canvas for Epson	13" × 20' (33 cm × 6.1 m)	SP91220	
	17" × 10' (43 cm × 3 m)	SP91221-S	
	17" × 40' (43 cm × 12 m)	SP91221	
	24" × 40' (61 cm × 12 m)	SP91222	
	44" × 40' (112 cm × 12 m)	SP91223	
Piezo Pro Matte Canvas	13" × 20' (33 cm × 6.1 m)	S041992	
	17" × 7' (43 cm × 2.1 m)	S041993-S	
	17" × 40' (43 cm × 12 m)	S041993	
	24" × 40' (61 cm × 12 m)	S041994	
	36" × 40' (91 cm × 12 m)	S042009	
	44" × 40' (112 cm × 12 m)	S041995	

Epson Stylus Pro 9880

Epson paper name	Size	Part number	Recommended application
Textured Fine Art Paper	17" × 50' (43 cm × 15 m)	S041745	Photo/Fine Art <i>(continued)</i>
	24" × 50' (61 cm × 15 m)	S041447	
	36" × 50' (91 cm × 15 m)	S041448	
	44" × 50' (112 cm × 15 m)	S041449	
UltraSmooth Fine Art Paper	17" × 7' (43 cm × 2.1 m)	S041782-S	
	24" × 50' (61 cm × 15 m)	S041782	
	44" × 50' (112 cm × 15 m)	S041783	
Somerset® Velvet	24" × 50' (61 cm × 15 m)	SP91203	
	44" × 50' (112 cm × 15 m)	SP91204	
Enhanced Adhesive Synthetic Paper	24" × 100' (61 cm × 30 m)	S041617	POP Sign and Display
	44" × 100' (112 cm × 30 m)	S041619	

*Cut Sheet Papers**Epson Stylus Pro 7880*

Epson paper name	Size	Part number	Recommended application
Premium Photo Paper Semi-gloss	13" × 19" (33 × 48 cm)	S041327	Photo
Ultra Premium Photo Paper Luster	13" × 19" (33 × 48 cm)	S041407	
	17" × 22" (43 × 56 cm)	S042084	
Singleweight Matte Paper	13" × 19" (33 × 48 cm)	S041909	POP 2D CAD/GIS Imposition Proofing
	17" × 22" (43 × 56 cm)	S041907	
Presentation Paper Matte	16.5" × 23.4" (42 × 59 cm)	S041079	
	13" × 19" (33 × 48 cm)	S041069	
	17" × 22" (43 × 56 cm)	S041171	
Proofing Paper Commercial Semimatte	13" × 19" (33 × 48 cm)	S041744	Contract Proofing
Ultra Premium Presentation Paper Matte	13" × 19" (33 × 48 cm)	S041339	POP 3D CAD/GIS Photo/Fine Art
		S041605	
	17" × 22" (43 × 56 cm)	S041908	

Epson Stylus Pro 7880

Epson paper name	Size	Part number	Recommended application
Watercolor Paper Radiant White	13" × 19" (33 × 48 cm)	S041351	Photo/Fine Art
Textured Fine Art Paper	24" × 30" (61 × 76 cm)	S041450	
UltraSmooth Fine Art Paper	13" × 19" (33 × 48 cm)	S041896	
	17" × 22" (43 × 56 cm)	S041897	
Velvet Fine Art Paper	13" × 19" (33 × 48 cm)	S041637	
	17" × 22" (43 × 56 cm)	S042097	
Somerset Velvet	24" × 30" (61 × 76 cm)	SP91200 SP91200-S	
Enhanced Matte Posterboard	24" × 30" (61 × 76 cm)	S041598	Sign and Display

Epson Stylus Pro 9880

Epson paper name	Size	Part number	Recommended application
Premium Photo Paper Semi-gloss	13" × 19" (33 × 48 cm)	S041327	Photo
Ultra Premium Photo Paper Luster	13" × 19" (33 × 48 cm)	S041407 S041604	
	17" × 22" (43 × 56 cm)	S042084	
Singleweight Matte Paper	13" × 19" (33 × 48 cm)	S041909	POP 2D CAD/GIS
	17" × 22" (43 × 56 cm)	S041907	Imposition Proofing

Epson Stylus Pro 9880

Epson paper name	Size	Part number	Recommended application
Presentation Paper Matte	16.5" × 23.4" (42 × 59 cm)	S041079	POP 2D CAD/GIS
	13" × 19" (33 × 48 cm)	S041069	Imposition Proofing <i>(continued)</i>
	17" × 22" (43 × 56 cm)	S041171	
Proofing Paper Commercial Semimatte	13" × 19" (33 × 48 cm)	S041744	Contract Proofing
Ultra Premium Presentation Paper Matte	13" × 19" (33 × 48 cm)	S041339	POP 3D CAD/GIS
	17" × 22" (43 × 56 cm)	S041908	Photo/Fine Art
Watercolor Paper Radiant White	13" × 19" (33 × 48 cm)	S041351	Photo/Fine Art
Textured Fine Art Paper	24" × 30" (61 × 76 cm)	S041450	
	36" × 44" (91 × 112 cm)	S041451	
UltraSmooth Fine Art Paper	13" × 19" (33 × 48 cm)	S041896	
	17" × 22" (43 × 56 cm)	S041897	
Velvet Fine Art Paper	13" × 19" (33 × 48 cm)	S041637	
	17" × 22" (43 × 56 cm)	S042097	
Somerset Velvet	24" × 30" (61 × 76 cm)	SP91200 SP91200-S	
	36" × 44" (91 × 112 cm)	SP91201	
Enhanced Matte Posterboard	24" × 30" (61 × 76 cm)	S041598	Sign and Display
	30" × 40" (76 × 102 cm)	S041599	

Guidelines for Using Epson Media

Follow these guidelines, as well as those included in your paper package, when printing on Epson paper and other media:



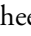
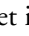
- Avoid touching the printable surface with your bare hands. Fingerprints may affect print quality. Handle media by the edges or use cotton gloves.
- Be careful not to bend or scratch the paper.
- Always choose the correct Media Type setting in your printer driver software before you send your job. See page 83 (Mac OS X) or page 98 (Windows) for instructions.
- Always select the correct paper source (roll or sheet) in both the printer driver software and on the printer's control panel. See page 79 (Mac OS X), or page 103 or page 106 (Windows) for instructions on selecting the paper source in your printer software.
- Keep unused media in its original packaging and store it in a cool, dry place to maintain quality. Avoid storing your printouts where they will be exposed to high temperature, humidity, or direct sunlight.
- Store sheet media on a flat surface.




Using Roll Paper

You can use roll paper with a 2- or 3-inch core and a width of up to 24 inches (61 cm) [Pro 7880], or 44 inches (112 cm) [Pro 9880]. Manually switching rolls is a simple process.

Roll Paper Guidelines

When printing on roll paper, be sure to follow the media handling guidelines on page 55, as well as these special guidelines for roll paper:

- When storing roll paper, keep it in its original packaging—including the bag, end caps, and box.
- To avoid feeding excess paper, make sure the  Sheet icon does not appear on the LCD display. Press the  Paper Source button until the  or  roll icon appears.

- Choose  if you want the paper to be cut automatically after each page is printed.
- Do not leave roll paper loaded in the printer when it is not in use.
- Choose  if you want to print a series of pages and keep them together for cutting later on.
- Choose  if you're printing on canvas or other heavy media. Media that is too thick may damage the cutter. Use of Epson's optional Manual Media Cutting System is recommended. See page 12 for more information.

The following media (and other similar materials) may not work with the built-in cutter:

- Fine art paper (including Epson Textured and UltraSmooth® Fine Art Paper)
- PremierArt™ Water Resistant Canvas for Epson
- Vinyl
- Matte board
- Backlight film
- Heavyweight polyester banner media
- DuPont™ Semigloss Proofing Paper
- If you're loading heavy paper, you may need to increase the paper suction by pressing the ▲ Paper Feed button. For lightweight paper, decrease the suction by pressing the ▼ Paper Feed button. (Release the paper lever to adjust the suction, then secure it again.)

Note: The spindle accommodates both 2-inch and 3-inch roll paper cores. To switch between different size cores, see page 61.

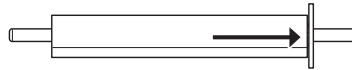
Avoid touching the printable surface of the paper as much as possible. Oils from your skin can affect print quality.

Loading the Paper onto the Spindle

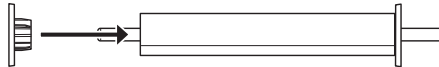
1. Slide the black paper stop off the left end of the spindle.



2. Position the roll so the paper unwinds as shown, then slide the spindle into the roll. Make sure the gray paper stop at the right end of the spindle is firmly locked into the core and there is no gap between the paper and the paper stop.

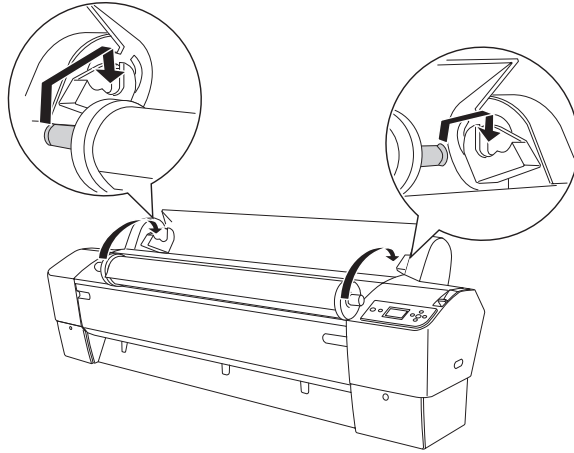



3. Slide the black paper stop back onto the spindle and insert it into the end of the roll. Make sure it is firmly fixed into the left end of the paper roll core.

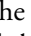





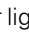
Placing the Paper in the Printer

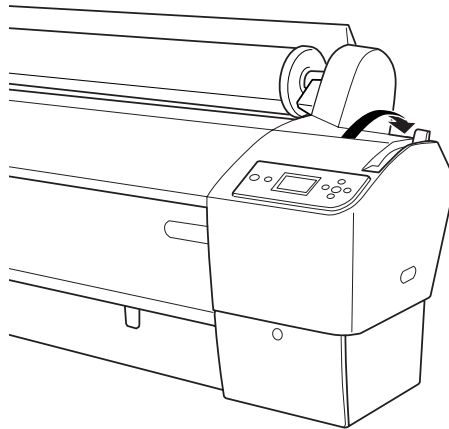
1. Open the roll paper cover.
2. Place the roll paper in the roll holder as shown. (The black end of the spindle goes on the left.)



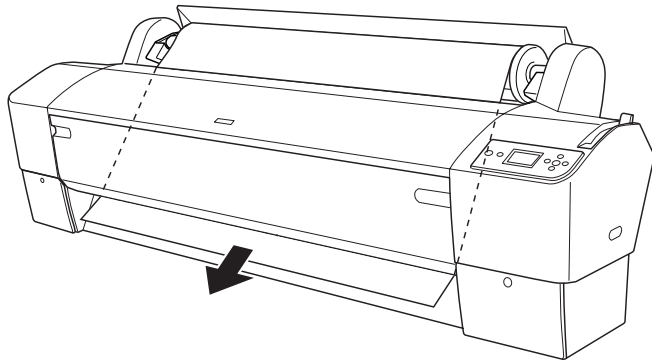
Caution: To avoid feeding excess paper, make sure you don't select  when you're using roll paper.

3. Make sure the printer is turned on, then press the  Paper Source button until the  (Auto Cut Off) or  (Auto Cut On) icon appears on the LCD display.
4. Make sure the  Power light is not flashing, then release the paper lever.

Caution: Do not release the paper lever while the  Power light is flashing, or you may damage the printer.

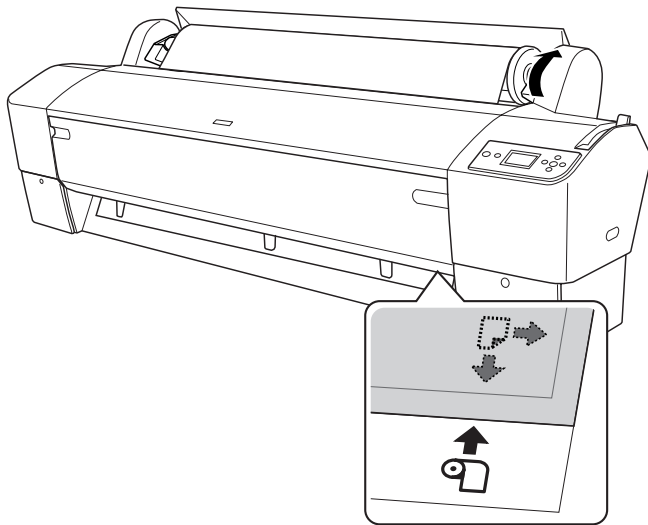


5. Feed the paper into the slot and pull it all the way through.

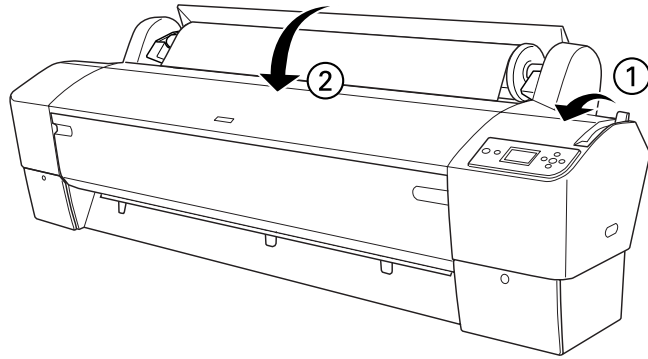


If the paper doesn't come out, you may need to adjust the suction. If you are loading heavy paper, press the ▲ Paper Feed button to increase the suction. If you are loading lightweight paper, press the ▼ Paper Feed button to decrease it. If the paper still doesn't come out, open the front cover and pull it out manually.

6. Holding the bottom edge of the paper, turn the roll back to remove any slack. Then align the bottom edge with the horizontal and vertical lines.



7. Move the paper lever to the **Secured** position, then close the roll paper cover.



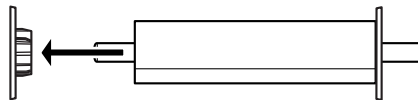
Note: Opening the front cover causes printing to stop. Do not open the front cover while printing is in progress, or your print quality might be affected.

8. Press the **|||** Pause button (or wait for 5 seconds). The paper feeds into printing position automatically, and **READY** appears on the control panel.

To avoid indenting or creasing the paper, remove it from the paper path and roll it up when you are not printing.

Removing Paper from the Spindle

1. Open the roll paper cover.
2. If the paper is loaded for printing, push the paper lever back to the **Released** position, then roll up the paper before removing it.
3. Remove the roll paper and spindle from the printer.
4. Place the spindle on a flat surface.
5. Slide the black paper stop off the end of the spindle.

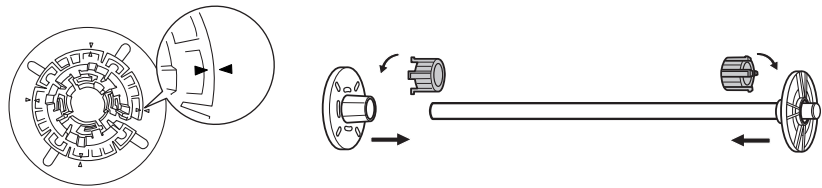


6. Remove the roll paper from the spindle.

Switching Between 2-Inch and 3-Inch Roll Paper

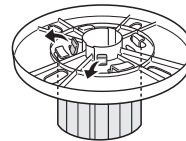
You can convert the spindle to accept roll paper with a 3-inch core by using the spindle adapters. Follow these steps:

1. Remove the black paper stop from the end of the spindle.
2. Slide one of the adapters onto the gray paper stop, then align the arrow marks as shown below. Press the adapter until it locks in place. Press the other adapter onto the black paper stop in the same way.




To remove the adapters, pull outward on the two tabs.

Pull outward on
tabs to release








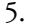
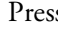

Note: A Manual Media Cutting System is available for heavy media. See page 12 for details on ordering it.

Cutting Paper Manually with the Built-in Cutter

When you're not using the Auto Cut On setting, you may need to cut roll paper manually by pressing a button after your print job is finished. You can use the  button to cut most types of paper.






However, if you're printing on fine art paper, canvas, or other heavy media, you should use the optional Epson Manual Media Cutting System (see page 190 for installation instructions) or scissors rather than the built-in cutter. See page 56 for a list of media that should not be used with the built-in cutter.

1. Before you print, press the  Paper Source button until you see the  roll (Auto Cut Off) icon on the LCD display.
2. Run your print job.

3. Press the  button. The printer automatically feeds the paper to the cutter guide.
4. If necessary, adjust the cutting position by pressing the  or  Paper Feed buttons.
5. Press the  Paper Source button until you see the  roll (Auto Cut On) icon on the LCD.
6. Press and hold the  button for 3 seconds. The paper is cut.

Printing Trim Lines

You can print trim lines on the right edge of your pages (Auto Cut On) or on the right and bottom edge (Auto Cut Off).

1. Press the **Menu** button.
2. Press the **Menu** button again to select the Printer Setup menu and highlight **PLATEN GAP**.
3. Press the  button to highlight **PAGE LINE**.
4. Press the **Menu** button.
5. Press the  or  button to highlight **ON**.
6. Press the  button to save the setting. An asterisk appears next to **ON**.
7. Press the  Pause button to exit the menu.

You can also specify trim lines from your printer driver software. For instructions, see page 89 (Mac OS X) or page 106 (Windows).

Using Cut Sheet Paper


You can print on many types of cut sheet paper and other media. The printer accepts sheets in widths from letter size to 24 inches (61 cm) [Pro 7880] or 44 inches (112 cm) [Pro 9880].

You can leave your roll paper on the spindle when you print on cut sheets; make sure it is removed from the paper path and rolled up.

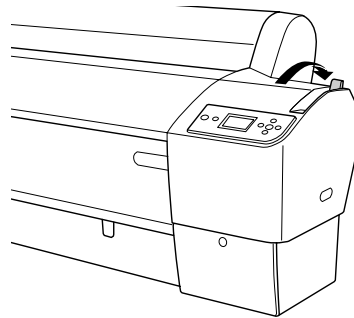
How you load the paper depends on its size and thickness:

- For stock thicker than 19 mil (0.5 mm), load it as described on page 65.
- For small sheets or fine art paper, see page 64.
- For medium to large sheets of average thickness, see the next section.

Loading Cut Sheets

1. Make sure the printer is turned on and the roll paper cover is closed.
2. Press the ◀ Paper Source button until the  Sheet icon appears on the LCD display.
3. Push the paper lever back to the **Released** position.

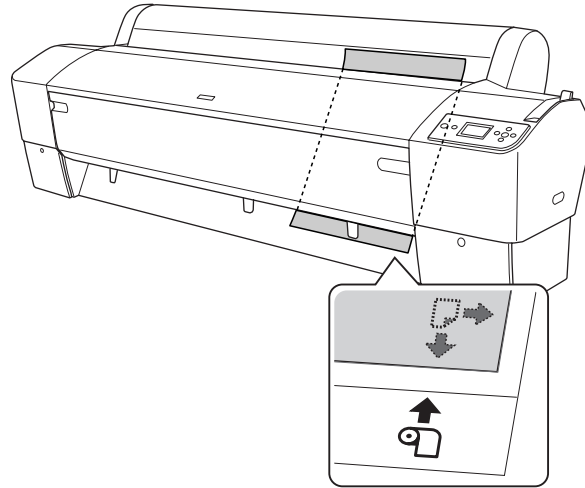
Tip: You can also load cut sheet paper without releasing the paper lever. This method is recommended for small sheets or fine art paper. See page 64 for details.



Note: For heavy paper, you may need to increase the suction by pressing the ▲ button. This helps hold the paper in place during loading and printing.

For lightweight paper, decrease the suction by pressing the ▼ button.

4. Feed the sheet into the paper slot. Make sure the right and bottom edges of the paper are straight and aligned with the horizontal and vertical lines on the printer.



5. Pull the paper lever forward to the **Secured** position.
6. Press the ■■ Pause button or wait a few seconds. The printer feeds the sheet into printing position automatically and **READY** appears on the LCD display.
7. Print your page. After it is finished, the sheet stays in the printer.
8. To remove your print, press the ↶ button or release the paper lever while holding the printed sheet.

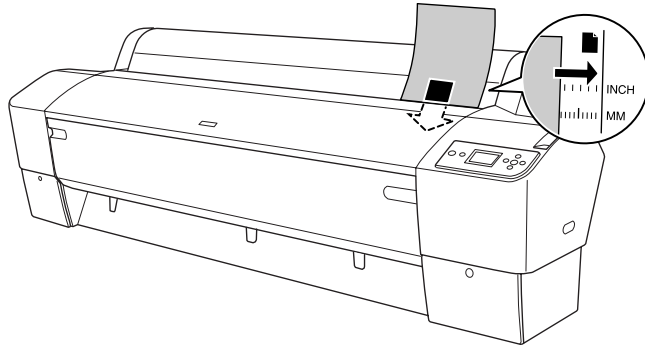
Caution: To avoid damaging the printer, never move the paper lever during printing, or while the ⏻ Power or ■■ Pause light is flashing.

Loading Small Cut Sheets or Fine Art Paper

You can load paper without releasing the paper lever. This prevents scratching that might damage fine art paper and is also easier, especially when you are loading small sheets.

1. Make sure the printer is turned on and the roll paper cover is closed.
2. Press the ◀ Paper Source button until the □ Sheet icon appears on the LCD display.

3. Make sure the paper lever is in the **Secured** position.
4. Feed the sheet into the paper slot until you meet resistance. Make sure the right edge of the paper is straight and aligned with the vertical line on the roll paper cover.



5. Press the **||** Pause button. The sheet feeds into printing position automatically and **READY** appears on the LCD display.
6. Print your page. After it is finished, the sheet stays in the printer.
7. To remove your print, press the **↶** button or release the paper lever while holding the printed sheet.

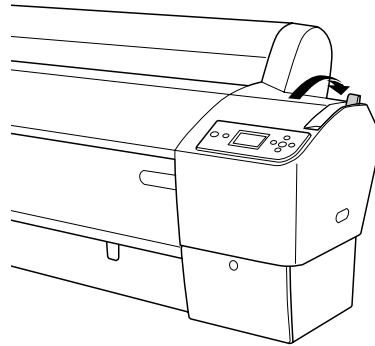
Printing on Posterboard

You can print on Epson Enhanced Matte Posterboard or other heavy stock up to 24 × 30 inches (61 × 76 cm) [Pro 7880] or 30 × 40 inches (76 × 102 cm) [Pro 9880].

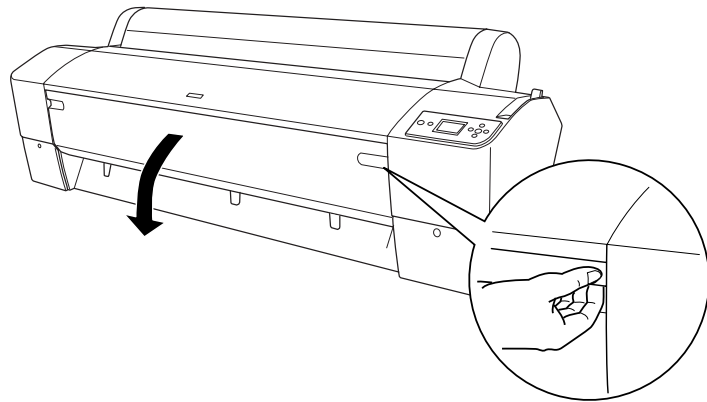
Follow these steps to print on posterboard or other media more than 19 mil (0.5 mm) thick:

1. Set the paper basket to catch your printouts in front of the printer. See page 69 (Pro 7880) or page 71 (Pro 9880) for instructions.
2. Make sure no other paper is loaded for printing. You can leave roll paper on the spindle, but make sure you wind it up fully and close the roll paper cover.

3. Press the ◀ Paper Source button until the □ Sheet icon appears on the LCD display.
4. Push the paper lever back to the Released position.

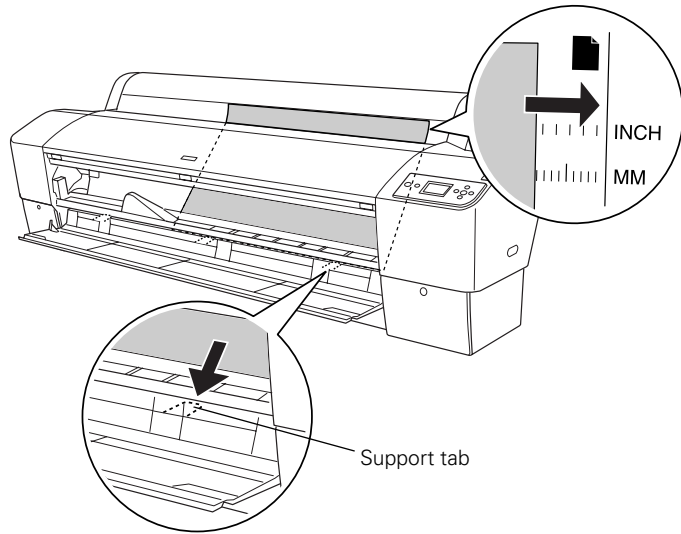


5. Open the front cover. (The cover has special tabs that act as paper supports when the cover is open.)

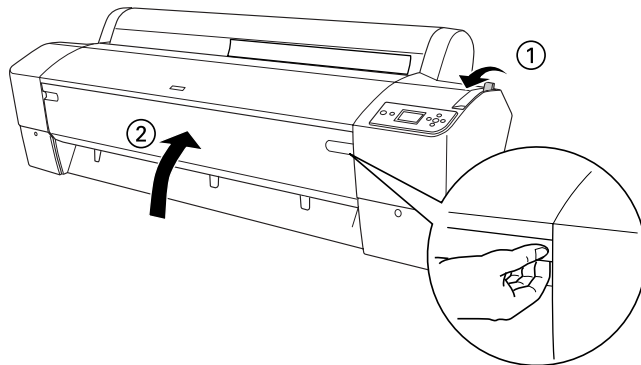


Note: If you're using stock more than 39 inches (99 cm) long, load it long-edge first, in landscape orientation (Pro 9880 only).

6. Feed the posterboard into the paper slot until it meets resistance.



7. Align the board with the vertical line on the roll paper cover.
8. Pull the paper lever forward to the **Secured** position. Then close the front cover.



9. Press the **||** Pause button or wait a few seconds. The printer feeds the board into printing position and **READY** appears on the LCD display.
10. Print your page. After it is finished, the posterboard stays in the printer.
11. To remove the print, hold it while releasing the paper lever.

Note: If you notice head strikes on your prints, make sure your paper is flat. You can also try changing the PLATEN GAP setting to **WIDE**. If that doesn't solve the problem, try changing it to **WIDER**.





Caution: To avoid damaging the printer, make sure you do not select the **NARROW** setting when you print on thick media.

Adjusting the Platen Gap for Thick or Thin Paper

When you print on unusually thick or thin paper, you may need to adjust the platen gap setting. **STANDARD** is the default setting. However, if print quality is not satisfactory when using very thin or very thick stock, you may need to change this setting.

1. Press the **Menu** button.
2. Press the **Menu** button again to select the Printer Setup menu and highlight **PLATEN GAP**.
3. Press **Menu** again. **STANDARD** is highlighted as the current setting.
4. Use the **▲** or **▼** button to choose **NARROW**, **WIDE**, **WIDER**, or **WIDEST**.
5. Press the **↵** button to save the setting. An asterisk appears next to the selected setting.
6. Press the **||** Pause button to exit the menu.

If you've selected a non-standard platen gap, the following symbols appear in the corner of the display to remind you of the narrow or wide setting:

	Widest
	Wider
	Wide
	Narrow

When you switch media, don't forget to change the setting back to **STANDARD**.

If you're printing on non-Epson media and not using the Epson driver, you may also need to create a paper configuration to optimize your results. See page 74 for more information.

Using the Paper Basket

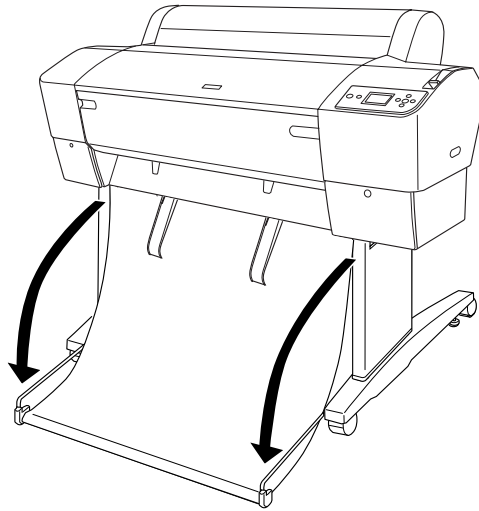
Note: When you print on posterboard, set the basket to catch printouts in front of the printer.

The paper basket attaches to your printer and catches your printouts as they come out. The basket keeps your printouts from getting dirty or scratched. You can set it up either to catch the paper under the printer or in front of the printer.

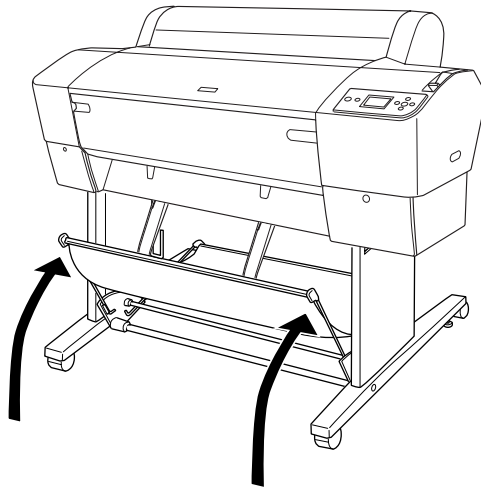
Follow the instructions below for the Epson Stylus Pro 7880, or page 71 or page 72 for the Pro 9880.

Catching Printouts From the Epson Stylus Pro 7880

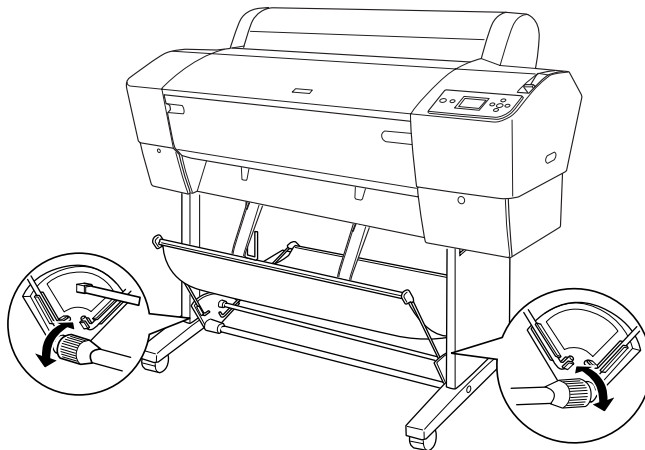
To catch printouts in front of the printer, pull the paper basket forward as shown below. Use this method for posterboard or any prints that are 36 inches or more in length.



To catch printouts under the printer, lift the basket up as shown:



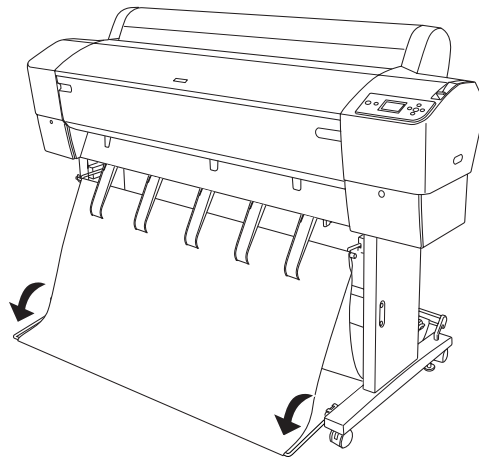
If the basket is loose, tighten it as shown:



Catching Printouts in Front of the Epson Stylus Pro 9880

Follow the steps below to set up the basket in front of the printer. Use this method for posterboard or any prints that are 62 inches (157 cm) or longer.

1. If you are using the paper guides, make sure they are in front of the basket, as shown below.
2. Slide the upper metal rods all the way in. Then push the lower rods down, so that they rest on the floor.

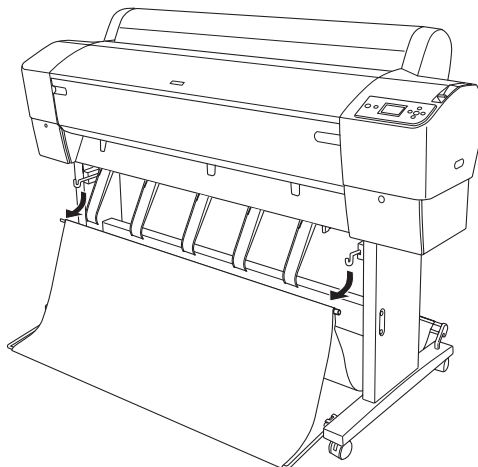


3. Make sure the surface of the basket is taut. If there is any slack, the paper may not slide properly to the floor.

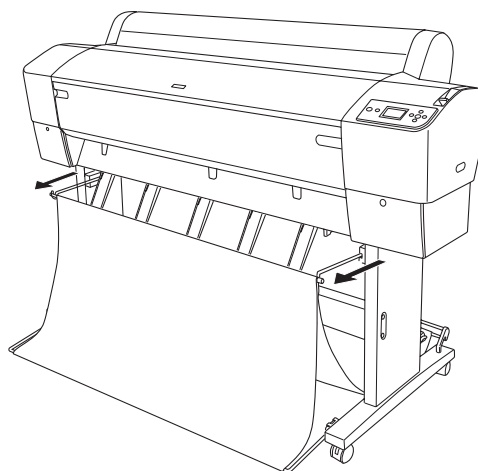
Catching Printouts Under the Epson Stylus Pro 9880

Follow these steps to catch printouts under the printer:

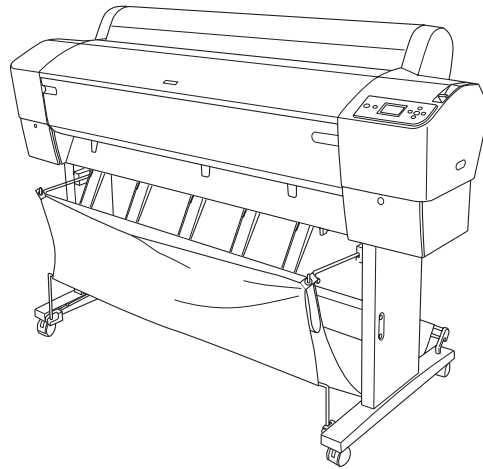
1. Remove the metal rod from the upper basket hooks.



2. Pull the upper hooks out all the way, and place the metal rod back on the hooks.

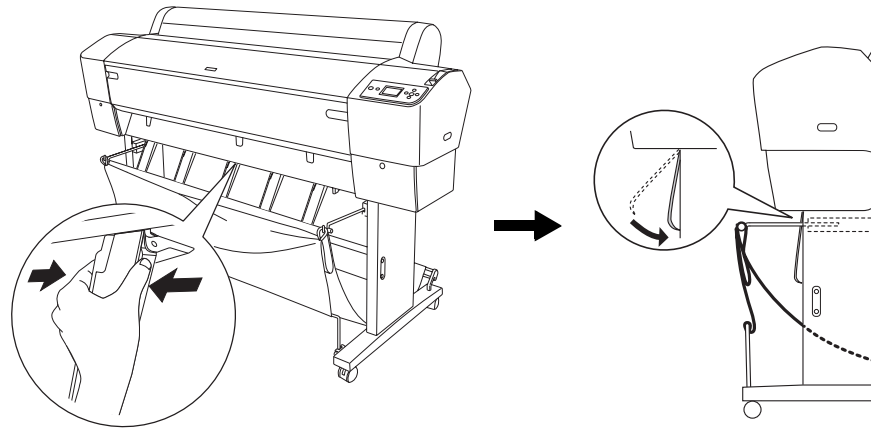


3. Hook the basket rings on the upper hooks.



4. If you are using the paper guides, squeeze the guides and push them back as shown.

Note: If printouts on matte paper have banding, pull the paper guides forward.



Optimizing the Settings for Your Paper

When you choose a media type in your Epson printer software, the driver automatically determines the best settings for your paper. However, you may want to fine-tune how the printer handles various media—especially if you use non-Epson paper or a paper not supported by the driver. Use the paper configuration settings described below.

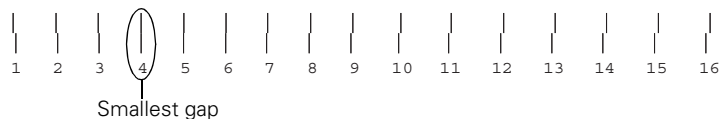
You can create a special configuration, or group of settings, for each paper type (up to ten types) and select the desired configuration whenever you print on a particular stock.

Creating Paper Configurations

Note: Paper configurations are needed only for non-Epson media.

To create a configuration for a specific paper type, make sure the paper you want to configure is loaded in the printer. Then follow these steps:

1. Press the **Menu** button, then press the ▼ button until **CUSTOM PAPER** is highlighted.
2. Press **Menu** to display **PAPER NUMBER**.
3. Press **Menu**, then press the ▲ button to select a paper configuration number (1 to 10). Press the ↵ button to save the number setting.
4. Press the ◀ button, then the ▼ button to highlight **PLATEN GAP**. Press **Menu**, then press ▲ or ▼ to highlight **NARROW**, **STANDARD**, **WIDE**, or **WIDER**. (The **STANDARD** setting is recommended for most paper types.) Press ↵ to save the setting.
5. Press the ◀ button, then the ▼ button to highlight **THICKNESS PATTERN**.
6. Press **Menu**, then press ↵ to print the paper thickness pattern. A pattern similar to the following is printed:



7. Examine the printed pattern for the most evenly overlapping lines. Choose the number with the most even lines. In the example shown above, the lines under number 4 are the most even.

After printing the pattern, **THICKNESS NUMBER** is highlighted.

8. Press ▲ or ▼ to select the number that you noted in step 7, then press ↵.
9. Press the ◀ button, then the ▼ button to select any of the menu options shown below. Make adjustments as needed, and press ↵ to save each setting.

You can also make similar settings using the printer driver software. For instructions, see page 86 (Mac OS X) or page 113 (Windows).

- **CUT METHOD** lets you decrease the cutting blade pressure for thinner media, or adjust the speed for thick media. You may need to experiment to determine the cleanest cut for your paper.
- **PAPER FEED ADJUST** helps eliminate banding. Choose a lower value if you see white lines on your prints, or a higher value if you see dark lines.
- **DRYING TIME** lets you print with non-Epson media and avoid smearing the ink. You can make the print head wait up to 10 seconds after each pass to allow ink to dry on the page.
- **PAPER SUCTION** lets you decrease the paper suction level when printing on thin media (under 12 lb), such as drafting paper or backlight film.
- **M/W ADJUSTMENT** adjusts the intensity of the MicroWeave® pattern. This improves print quality, but lowers printing speed.

10. When done, press the ■ Pause button.

After you create paper configurations, you can use the **TEST PRINT** menu to print out a list of paper numbers showing the settings for each one.

Printing Your Paper Configurations

You can print a list showing the settings for all your paper configurations. This makes it easy to select the configuration you want for a particular type of paper.

1. Press the **Menu** button, then press the ▼ button to highlight **TEST PRINT**. Press **Menu** again.
2. Press ▼ until **CUSTOM PAPER** is highlighted, then press **Menu**.
3. Press ↵ to print your custom paper configurations.

Selecting Paper Configurations

Once you have created a paper configuration, you can select it whenever you print on that paper:

1. Press the **Menu** button, then press the ▼ button to highlight **CUSTOM PAPER**.
2. Press **Menu**. **PAPER NUMBER** is highlighted.
3. Press **Menu**, then press ▲ or ▼ to select the configuration number that you want to use. If you select **STANDARD**, the printer uses the driver settings. If you select a number from 1 to 10, the control panel settings override the driver settings.
4. Press ↵. The configuration number you selected is displayed on the LCD with an asterisk.
5. Press the ■■ **Pause** button to exit the menu. If you selected a configuration number, it is displayed on the LCD.

Chapter 3: Printing With Epson Drivers for Macintosh

Your Epson Stylus Pro 7880 or Pro 9880 comes with drivers and utilities that let you print and manage print jobs. For the best black and white photography output, the Epson driver offers an Advanced Black and White Photo mode.

ICC profiles for ColorSync® are included, so you can use color management features in Adobe® Photoshop® or other applications, or in the driver itself. A color-managed workflow using Photoshop and a color-calibrated monitor will give you the most accurate colors and best output from your printer for color photos. See page 123 for instructions.

You can create your own profiles if you have the required hardware and software, or you can have them created by a color specialist. Make sure any profiles you want to use are located in the standard folder for your operating system. When you install the Epson printer driver, the ready-made profiles are automatically copied to the right folder.

Before you print, make sure you have installed the Epson printer driver and utilities from the CD-ROM. You also need to configure your connection and set up the printer in the Printer Setup Utility. For instructions on installing and configuring the printer driver, see the *Printer Guide*.

If you plan on printing borderless images on roll paper, check the guidelines on page 78 to size your image correctly.

Tip: Check the Epson Pro Imaging website at www.proimaging.epson.com for updated drivers and utilities that may become available.

This chapter includes the following information for Mac OS X:

- Choosing page setup settings for cut sheets and roll paper
- Choosing basic print options
- Choosing color management options
- Choosing paper configuration settings
- Choosing roll paper options
- Controlling expansion of borderless images
- Choosing advanced black and white photo settings
- Creating a custom preset and printing
- Managing print jobs

Sizing Images for Borderless Printing on Roll Paper

For true borderless printing on roll paper, you can select a Paper Size setting with an **Auto Expand** or **Retain Size** option, or create a custom paper size, as described on page 79. Your image may be clipped on the left and right edges, but you can minimize clipping by sizing your image according to the paper width and by adjusting the length by adding 0.1 inch (2.54 mm) to it.

Paper sizes with the **Auto Expand** option provide the best solution for borderless printing with minimal image clipping. Using this setting, you can create a image width almost equal to the width of the roll media. If you use a paper size with the **Retain Size** option, you should create an image slightly wider than the actual width of the roll media. Or you can create a custom paper size and select the **Retain Size** option. See the table below for guidelines:

Note: Make sure you set the margins to zero when printing a custom page size for borderless printing.

Roll paper width	Image width (with Auto Expand)	Image width (with Retain Size)	Custom paper size (with Retain Size)
10 inches (254 mm)	9.7075 inches (246.57 mm)	10.34 inches (262.6 mm)	10.23 inches (259.8 mm)
13 inches (330 mm)	12.8 inches (325.1 mm)	13.34 inches (338.8 mm)	13.23 inches (336.0 mm)
16 inches (406 mm)	15.8 inches (401.3 mm)	16.34 inches (415.0 mm)	16.23 inches (412.2 mm)
17 inches (432 mm)	16.8 inches (426.7 mm)	17.34 inches (440.4 mm)	17.23 inches (437.6 mm)
24 inches (610 mm)	23.8 inches (604.5 mm)	24.34 inches (618.2 mm)	24.23 inches (615.4 mm)
36 inches* (914 mm)	35.8 inches (909.3 mm)	36.34 inches (923.0 mm)	36.23 inches (920.2 mm)
44 inches* (1118 mm)	43.8 inches (1112.5 mm)	44.34 inches (1126.2 mm)	44.23 inches (1123.4 mm)

* Epson Stylus Pro 9880 only

Choosing Page Setup Options

Note: Many application settings override the printer's page setup options. Always verify settings to get the results you expect.

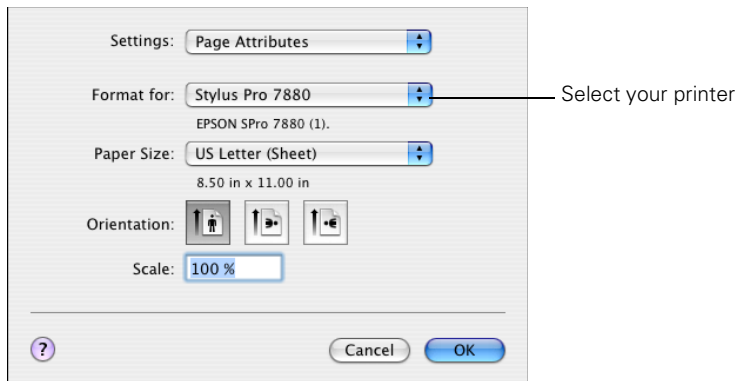
If your application has margin settings, make sure they're turned off for borderless printing.

Page Setup options let you choose from several options for printing on cut sheets or roll paper. You can also select the orientation of your image and the paper size. For printing on roll media, creating a custom page size is recommended to make the best use of your paper.

Note the following limitations on borderless printing:

- Borderless printing takes longer than normal printing.
- Margins are required at the top and bottom of the page on cut sheets. Full borderless printing is available on roll paper only.

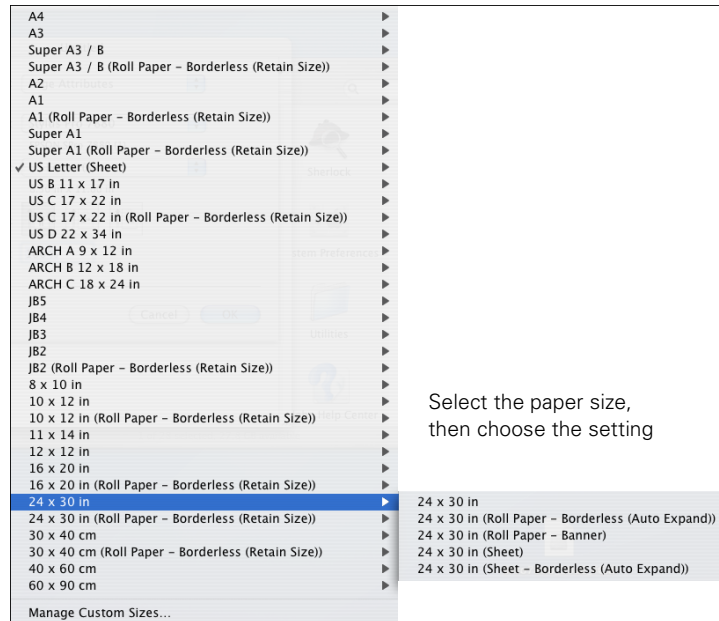
1. Open the file you want to print and select **Page Setup** in your application. You see this screen:



Note: If you need more information about print options, click the ? button.

2. Open the **Format for** drop-down menu and select your printer.

3. Click the Paper Size drop-down menu.
 - If you're printing on a cut sheet, choose the size of the paper you are using and one of the options listed below. Then continue with step 5.
 - If you're using roll paper, Epson recommends that you create a custom paper size to make the best use of your paper. See step 4 for instructions. Also be sure to select roll paper options, as described on page 89.

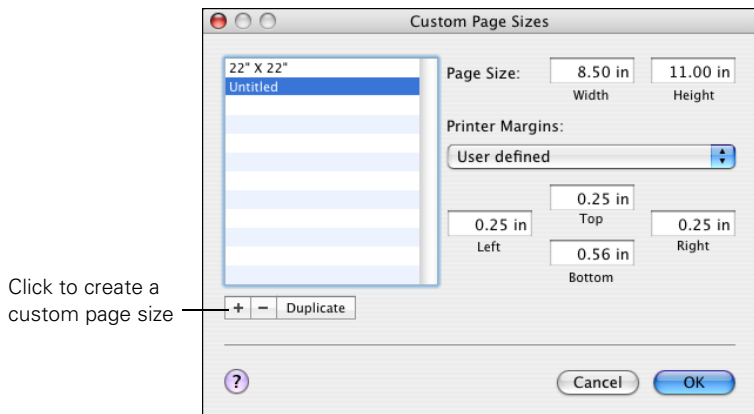


The following settings are available, depending on the size you choose:

- The **Sheet** size setting prints on cut sheet paper with a bottom margin larger than the top and sides.
- **Sheet - Borderless (Auto Expand)** prints on cut sheets and enlarges your image (up to 3%) to fit the width of the paper (without side borders).
- **Sheet - Borderless (Retain Size)** prints your image at the size you specify in your application. You need to size it slightly wider than the paper width to print without side borders.

- **Roll Paper - Borderless (Auto Expand)** prints without borders on roll paper and enlarges your image (up to 3%) to fit the size of the paper. This selection is recommended for borderless printing with minimal clipping of your image. See page 78 for more information.
 - **Roll Paper - Borderless (Retain Size)** prints your image on roll paper at the size you specify in your application. You need to size it slightly wider than the paper width to print without borders. See page 78 for more information.
 - **Roll Paper - Banner** prints a series of continuous images without any margin space between them, but with normal side borders.
 - **Roll Paper - Borderless Banner** prints a series of continuous borderless images without space between them.
4. If you are printing on roll paper, choose **Manage Custom Sizes** from the **Paper Size** menu.

(If you are printing on a cut sheet, skip to step 5.)



Click the + (plus sign), double-click **Untitled** and give your paper size a name, then define its size and margins and click **OK**.

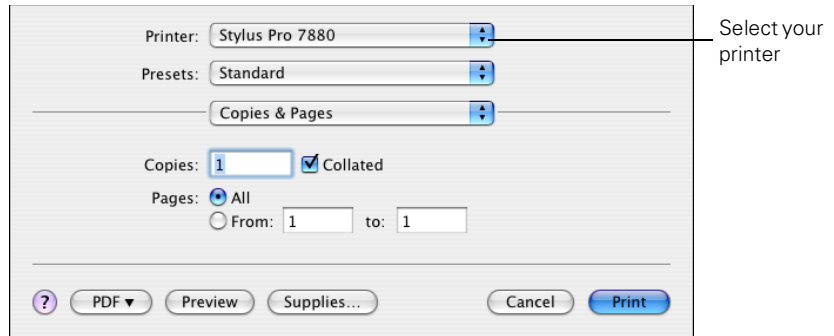
Select your new page size from the **Paper Size** drop-down menu.

5. Choose the appropriate **Orientation** and **Scale** for printing.
6. Click **OK**. Then continue with the instructions in the next section.

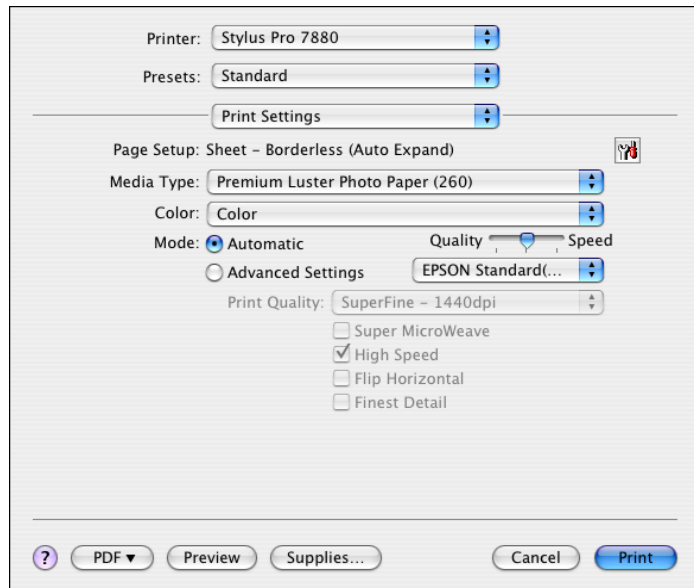
Choosing Basic Print Options

Once you have selected your page setup options, you need to select printing options. The Epson driver offers automatic settings that optimize print quality and speed when you're using Epson media. You can also choose additional settings for more control over your printer and color output.

1. Select **Print** in your application. You see the screen shown below:



2. Choose your printer from the **Printer** menu.
3. Select **Print Settings** from the **Copies & Pages** drop-down menu. You see this screen:



4. If you created a custom paper size for your roll paper, select the **Auto Expand** or **Retain Size** option in the **Page Setup** drop-down menu. See page 78 for details.



5. Select the **Media Type** that corresponds to the paper you are printing on. See the table on page 84 for more information.

If you are using a color-managed workflow, make sure you choose media type and resolution settings that match the ICC profile you are using.

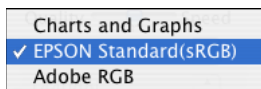
6. For the **Color** setting, select one of the following:

- **Color** for any type of photographic printing.
- **Advanced B&W Photo** if you are printing black and white photos using this unique printer technology on select paper types. See page 91 for more information. (For paper types that don't support this option, print black and white photos with the **Color** setting.)
- **Black only** if you're printing line drawings or other non-photographic images.

7. Set the **Mode** option as follows:

- Click **Automatic** to have the printer driver analyze the contents of your image or file and make the appropriate printing adjustments. If a **Quality/Speed** slider appears, set it according to the priorities of your print job.

You can choose one of the mode settings shown at the left in the drop-down menu:



Charts and Graphs intensifies colors and lightens the midtones and highlights of an image. Use this setting for presentation graphics.

EPSON Standard (sRGB) increases the contrast in images. Use this setting for color photographs.

Adobe RGB matches image colors to the Adobe RGB color standard.

- Click **Advanced Settings** to access additional options, as described in the remaining steps.

Note: The Print Quality settings available depend on the Media Type you selected. Choose a lower print quality setting for faster printing or **SuperPhoto - 2880dpi** for the best quality.

8. Choose one of the following **Print Quality** settings:
 - Draft
 - Normal - 360dpi
 - Fine - 720dpi
 - SuperFine - 1440dpi
 - SuperPhoto - 2880dpi

9. Choose any of the following advanced options:
 - **Super MicroWeave** for maximum elimination of banding (may not be accessible for certain media types).
 - **High Speed** for fast, bidirectional printing. For higher quality, make sure you deselect this option.
 - **Flip Horizontal** for printing a mirror image of your file.
 - **Finest Detail** for sharper edges on vector-based data including text, graphics, and line art. (This setting does not affect photographs and is not recommended for large files.)

Continue with the instructions on page 86 to select color management settings. If you are using the color management settings in Photoshop or another application, it is very important to turn off color management in the printer driver.

Selecting the Correct Media Type Setting

The table on the next page lists the settings designed to product the best results on Epson media.

If your paper is not listed, check the instructions included with the paper, or look on the Epson website www.proimaging.epson.com (U.S. sales), www.epson.ca (Canadian sales). If you are using non-Epson paper, consult the manufacturer for the best setting. You may have to experiment with different settings to determine which one is best for the media you're using.

For this media	Select this Media Type setting*
Premium Luster Photo Paper (260)	Premium Luster Photo Paper (260)
Premium Glossy Photo Paper (250)	Premium Glossy Photo Paper (250)
Premium Semigloss Photo Paper (250)	Premium Semigloss Photo Paper (250)
Premium Semimatte Photo Paper	Premium Semimatte Photo Paper (260)
Premium Glossy Photo Paper (170)	Premium Glossy Photo Paper (170)
Premium Semigloss Photo Paper (170)	Premium Semigloss Photo Paper (170)
Premium Glossy Photo Paper Premium Photo Paper Glossy	Premium Glossy Photo Paper
Premium Semigloss Photo Paper Premium Photo Paper Semigloss	Premium Semigloss Photo Paper
Premium Luster Photo Paper Ultra Premium Photo Paper Luster	Premium Luster Photo Paper
Premium Semimatte Photo Paper (260)	EPSON Proofing Paper White Semimatte
Proofing Paper Commercial Proofing Paper Commercial Semimatte	Epson Proofing Paper Commercial
Velvet Fine Art Paper	Velvet Fine Art Paper
Watercolor Paper - Radiant White PremierArt Water Resistant Canvas Piezo Pro Matte Canvas	Watercolor Paper - Radiant White
Textured Fine Art Paper	Textured Fine Art Paper
UltraSmooth Fine Art Paper	UltraSmooth Fine Art Paper
Canvas	Canvas
Doubleweight Matte Paper	Doubleweight Matte Paper
Singleweight Matte Paper	Singleweight Matte Paper
Presentation Paper Matte	Photo Quality Ink Jet Paper
Enhanced Matte Paper Ultra Premium Presentation Paper Matte Somerset® Velvet (roll paper only)	Enhanced Matte Paper

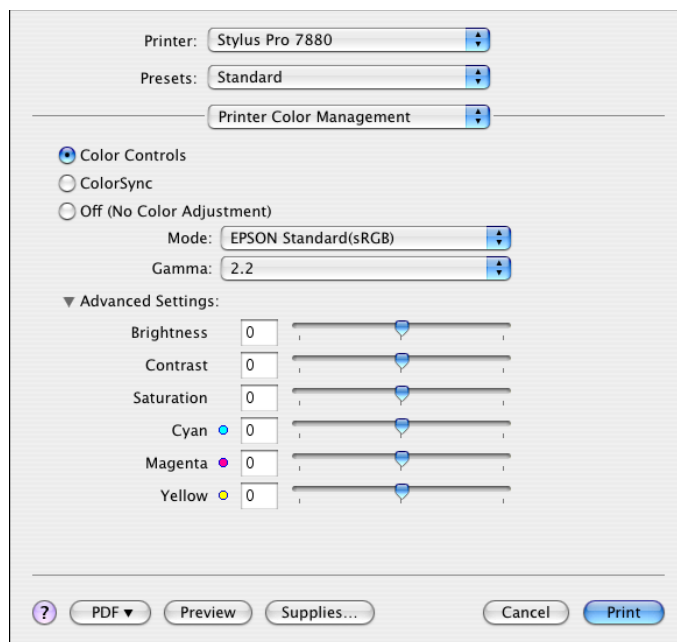
For this media	Select this Media Type setting*
Plain paper	Plain Paper
Enhanced Matte Posterboard	Enhanced Matte Poster Board
Somerset Velvet (cut sheets only)	

* Other Media Type settings in the list can be used to experiment with other paper types.

Choosing Color Management Options

Follow these instructions to use color management in the printer driver.

1. Select **Printer Color Management** from the drop-down menu, then click **Advanced Settings**. You see this screen:



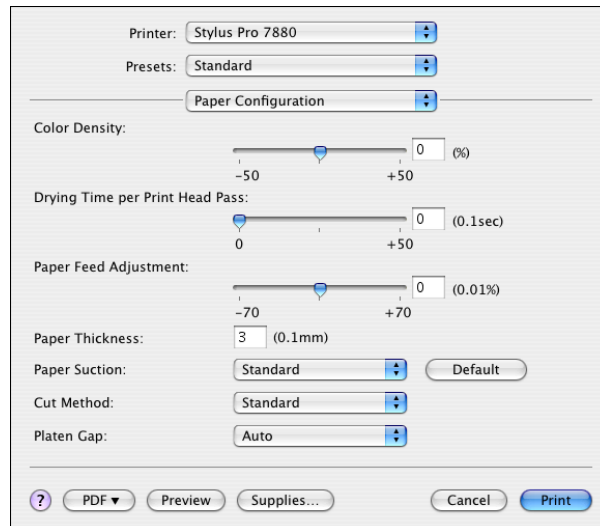
2. Select one of the following settings:
 - **Color Controls** to choose from four color adjustment modes and from three **Gamma** settings. Click the arrow next to **Advanced Settings** to specify individual values for brightness, contrast, saturation, and CMY inks. When you use the driver to perform color management, make sure you turn it off in your application.
 - **ColorSync** for mapping colors to your printer's profile. In most cases, you will get better results by applying color management in your application, rather than in the printer driver. If you choose this setting, you can choose ColorSync from the drop-down menu and choose filters or other settings.
 - **(Off) No Color Adjustment** to disable color management in the printer driver. Choose this mode when you use a color-managed ICC workflow in Photoshop or another software application. See page 123 for instructions.

Choosing Paper Configuration Options

Follow these instructions if you are using non-Epson media and you need to fine-tune its performance.

Note: You may need to change the Color Density setting if your custom color profile was created to optimize D-max and color gamut.

1. Select **Paper Configuration** from the drop-down menu. You see this screen:

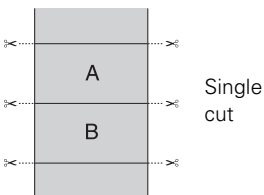
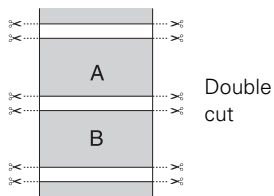
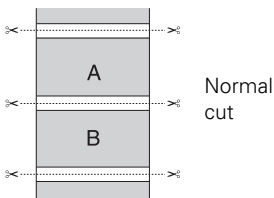
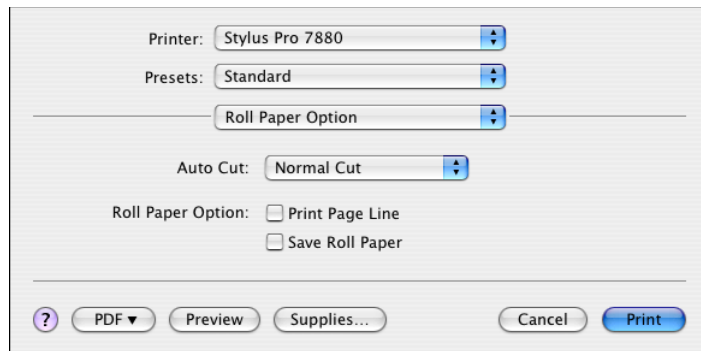


2. Select the correct settings to match your ICC profile. These settings override any paper configuration settings you may have made using the printer's control panel.
 - **Color Density** lets you control the ink saturation level.
 - **Drying Time per Print Head Pass** lets you print with non-Epson media and avoid smearing the ink. You can make the print head wait up to 5 seconds after each pass to allow ink to dry on the page.
 - **Paper Feed Adjustment** helps reduce banding. Choose a lower value if you see white lines on your prints, or a higher value if you see dark lines.
 - **Paper Thickness** helps reduce vertical banding and creates a sharper image when printing on unusually thick or thin paper.
 - **Paper Suction** lets you decrease the paper suction level when printing on thinner papers (less than 12 lb), such as CAD drafting paper.
 - **Cut Method** decreases the cutting blade pressure for thinner media, or adjusts the speed for thick media. You may need to experiment to determine the best setting for your paper.
 - **Platen Gap** lets you fine-tune the setting for various paper thicknesses.

Choosing Roll Paper Options

If you are printing on roll paper, make sure you choose one of the roll paper options as the **Paper Size** setting, as described on page 79. In addition, you need to check these settings for various cutting and feeding options.

1. Select **Roll Paper Option** from the drop-down menu. You see this screen:



2. Choose one of the following **Auto Cut** settings:

- **Normal Cut** allows margin space at the top and bottom of each image.
- **Double Cut** extends the space between the images and trims each print individually. This provides the cleanest edge for borderless printing.
- **Single Cut** allows images to be printed end-to-end and saves paper. With borderless printing, you may see a sliver of the previous or next image if you print multiple images in one print job. You will see a white margin between print jobs.
- **Off** disables automatic cutting. Choose this setting if you want to operate the cutter manually, use the optional Auto Take-Up Reel, print multiple print jobs without cutting, or print on heavy media that must be cut by hand.

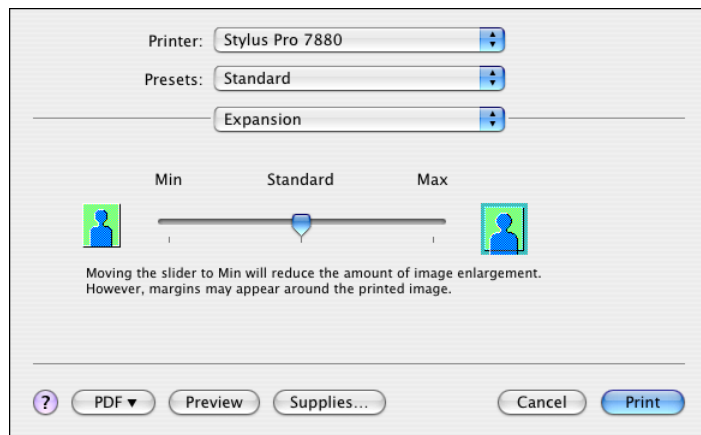
See page 61 for instructions on using the ↶ button to operate the cutter. See page 56 for a list of media that are not recommended for use with the built-in cutter.

Note: These settings override settings made through the control panel.

3. Select either of the following options, if desired (available only when you've selected a Paper Size setting with the **Roll Paper (Banner)** option):
 - **Print Page Line** prints trim lines on the right and bottom edges of your pages.
 - **Save Roll Paper** saves paper by not feeding the blank portion of the last page of your document.

Controlling Borderless Image Expansion

To control the amount of expansion when printing using a Paper Size with the **Auto Expand** option, select **Expansion** from the drop-down menu. You see this screen:



Adjust the slider to increase or decrease the amount of expansion.

The widths shown in the table on page 78 work with the **Standard** Expansion setting. If you use the slider to adjust the amount of expansion, you can calculate the image width as follows:

- Using the **Min** setting, subtract 0.125 inch (3.175 mm) from the media width to determine the image width.
- Using the **Max** setting, subtract 0.415 inch (10.54 mm) from the media width to determine the image width.

Choosing Advanced Black and White Photo Settings

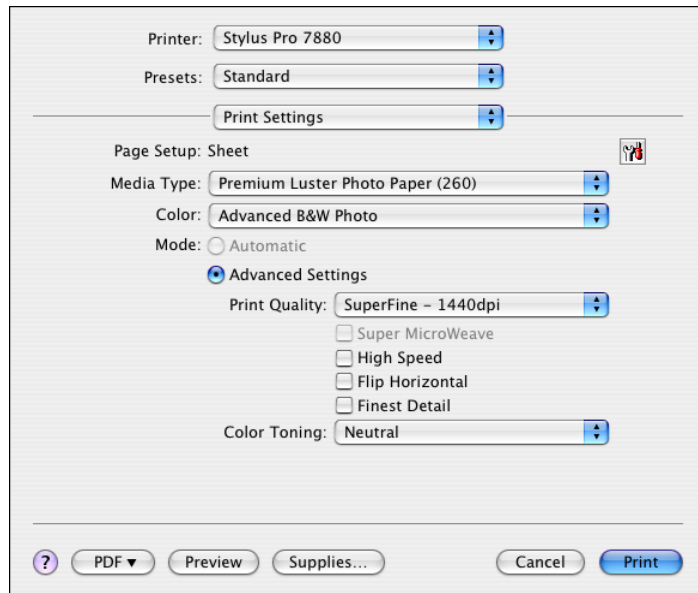
Note: If you are printing from Photoshop, make sure you do not use Photoshop's color management settings when using Advanced Black and White Photo mode. There are no profiles associated with this screening and color management technology.

Note: If Advanced Black and White Photo is not available for your media type, you may need to change your black ink cartridge. See page 145 for more information.

Advanced Black and White Photo mode allows you to easily produce neutral and toned black-and-white prints using your Epson driver. This mode offers an alternative black and white workflow with settings for more advanced control.

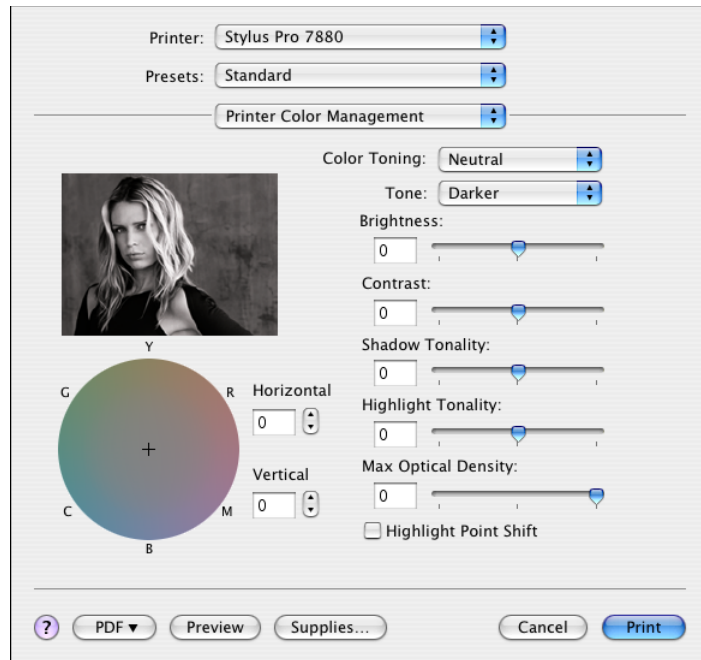
Whether your photo is color or grayscale, you can use this unique screening and color management technology to create stunning black-and-white prints. This mode is only available when printing on certain media types.

1. Select **Print Settings** from the drop-down menu.
2. Choose the **Media Type** setting for the paper you have loaded in the printer. (See page 84 for instructions.)
3. Choose **Advanced B&W Photo** as the **Color** setting.



4. Uncheck **High Speed** for the best quality.

5. Select **Printer Color Management** from the drop-down menu. You see this screen:



6. Choose the settings that are best for your photo. You can use the photo on the screen as a guide.
- **Color Toning** allows you to add tone (hue) to your black and white output. The default is **Neutral**, which will provide you with a neutral tonal scale print. You can also choose other popular presets such as **Cool**, **Warm**, and **Sepia**. Note that the presets affect the target found in the tone color circle.
 - **Tone** allows you to easily change the entire tonal scale of your black and white output. While **Darker** is the default setting, you may see better results if you choose **Dark**.
 - **Brightness** adjusts the overall lightness and darkness of your image.
 - **Contrast** adjusts the difference between the light and dark areas of your image.
 - **Shadow** and **Highlight Tonality** allow you to control tonality only in the shadow or highlight areas of your image.

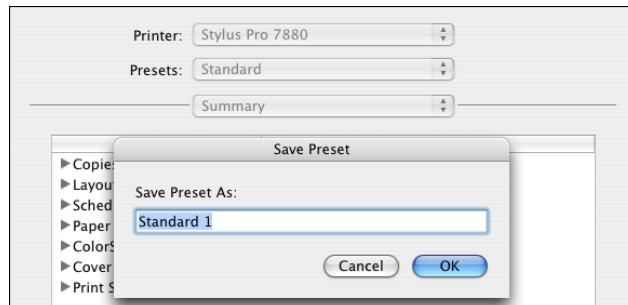
- **Max Optical Density** adjusts the overall density or focus of the print. Create a soft focus print by setting the density lower.
- **Highlight Point Shift** helps to reduce gloss differential by adding density to the highlights of your image.
- The tone color circle adjusts the hue of your black and white print. Click on any portion of the color wheel or enter corresponding values to customize the tone (hue) added to your print. The closer you select to the edge of the wheel, the more color you add.
- **Preview** approximates the image tone based on your settings. Note that this preview always shows the same image and is not color managed. It provides a level of feedback as you make changes.

Creating a Custom Preset and Printing

Once you've made the correct settings for your print job, create a custom preset. This will save you time when you use the same profile/printer/ink/media combination for future print jobs.

Note: If you check the settings on each screen in the drop-down menu, go through them carefully from top to bottom. Avoid cycling through them repeatedly, or you may lose your settings.

1. Select **Summary** from the drop-down menu.
2. After verifying that your settings are correct, select **Save As** from the **Presets** drop-down menu.



Caution: Do not open and close the Presets menu without typing a name, or you will lose your settings.

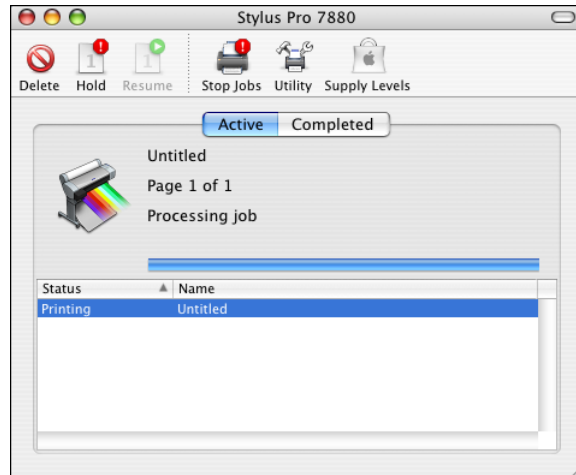
3. Type a name for your custom preset and click **OK**.
4. When you're ready to print, click the **Print** button.

Whenever you want to print with your custom preset, select it from the **Presets** drop-down menu.

Managing Print Jobs

After you click **Print**, you can monitor the progress of your print job. Follow these steps:

1. Click the icon for your printer on the Dock. If necessary, double-click your printer (and print queue) name. You see a screen like this:



Note: You can also cancel a print job by pressing the **||** Pause button on the printer and holding it for at least 3 seconds.

2. From here you can monitor the progress of your print job or do one of the following:
 - Click the print job, then click **Delete** to cancel the job
 - Click the print job, then click **Hold** to pause printing
 - Click a print job marked “Hold” and click **Resume** to resume printing
3. When you’re finished, close the print job window, then close your printer window.

Chapter 4: Printing With Epson Drivers for Windows

Your Epson Stylus Pro 7880 or Pro 9880 comes with drivers and utilities that let you print and manage print jobs. For the best black and white photography output, the Epson printer driver offers Advanced Black and White Photo mode.

ICC profiles are included, so you can use the color management features in Adobe Photoshop or other applications, or in the driver itself. A color-managed workflow using Photoshop and a color-calibrated monitor will give you the most accurate colors and best output from your printer for color photos. See page 123 for instructions.

You can create your own profiles if you have the required hardware and software, or you can have them created by a color specialist. Make sure any profiles you want to use are located in the standard folder for your operating system. When you install the Epson printer driver, the ready-made profiles are automatically copied to the right folder.

Before you print, you need to set basic printing properties. Make sure you have installed the Epson driver and utilities from the CD-ROM. See the *Printer Guide* for instructions.

If you plan on printing borderless images on roll paper, check the guidelines on page 96 to size your image correctly.

Tip: Check the Epson Pro Imaging website at www.proimaging.epson.com for updated drivers and utilities that may become available.

This chapter includes the following information:

- Choosing basic print options
- Choosing color management options
- Choosing roll paper settings
- Choosing cut sheet paper settings
- Choosing page layout options
- Choosing advanced black and white photo settings
- Choosing paper configuration options
- Saving, exporting, and importing groups of settings
- Managing print jobs

Sizing Images for Borderless Printing on Roll Paper

For true borderless printing on roll paper, you can select either **Auto Expand** or **Retain Size** or create a custom paper size, as described on page 103. Your image may be clipped on the left and right edges, but you can minimize clipping by sizing your image according to the roll paper width and by adjusting the length by adding 0.1 inch (2.54 mm) to it.

Auto Expand provides the best solution for borderless printing with minimal image clipping because you can create a image width almost equal to the width of the roll media. If you use **Retain Size**, you need to size your image slightly wider than the paper width. See the table below for guidelines:

Roll paper width	Image width (with Auto Expand)	Image width (with Retain Size)
8.3 inches (211 mm)	8.06 inches (204.7 mm)	8.35 inches (212.1 mm)
10 inches (254 mm)	9.7075 inches (246.57 mm)	10.25 inches (260.35 mm)
13 inches (330 mm)	12.8 inches (325.1 mm)	13.25 inches (338.8 mm)
16 inches (406 mm)	15.8 inches (401.3 mm)	16.25 inches (412.75 mm)
17 inches (432 mm)	16.8 inches (426.7 mm)	17.25 inches (438.15 mm)
24 inches (610 mm)	23.8 inches (604.5 mm)	24.25 inches (615.9 mm)
36 inches* (914 mm)	35.8 inches (909.3 mm)	36.25 inches (920.7 mm)
44 inches* (1118 mm)	43.8 inches (1112.5 mm)	44.25 inches (1124.0 mm)

* Epson Stylus Pro 9880 only

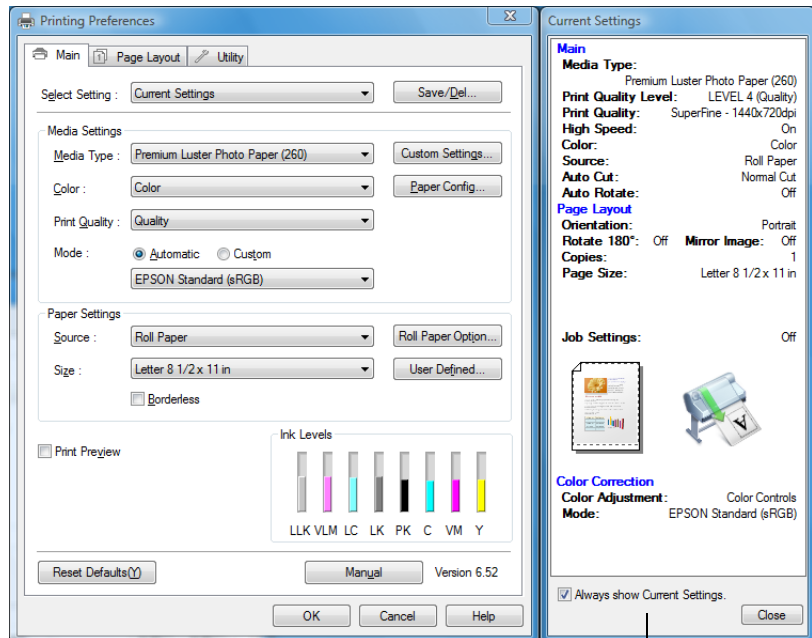
Choosing Basic Print Options

The driver offers automatic settings that optimize print quality and speed when you're using Epson media. You can also choose custom settings for more control over your printer and color management options.

Follow these steps to make basic settings:

1. Start an application, open the file you want to print, and select **Print** in your application. You see the Print window.
2. Make sure your printer is selected, then click the **Properties** or **Preferences** button. (If you see a **Setup**, **Printer**, or **Options** button, click it instead. Then click **Properties** or **Preferences**.)

You see a window like the following:

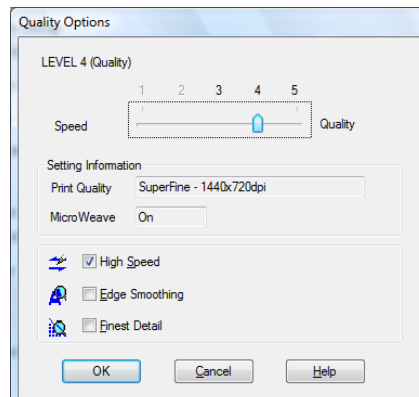


Note: If you need more information about print options, you can click the **Help** button on any screen.

This box shows you the current settings, but you can't change them from here

3. Select a **Media Type** setting that corresponds to the paper you are printing on. See the table on page 99 for more information.
 - If you are using a color-managed workflow, make sure you choose media type and resolution settings that match the ICC profile you are using.
 - If your paper is not listed, check the instructions included with the paper, or check the Epson website (see page 13). If you are using non-Epson media, choose the closest setting or create a custom paper configuration (see page 112). You may have to experiment with different settings to determine which one is best for the media you're using.
4. For the **Color** setting, select one of the following:
 - **Color** for any type of photographic printing.
 - **Advanced B&W Photo** for printing black and white photos on certain paper types. See page 110 for more information. (For paper types that don't support this option, print black and white photos using the **COLOR** setting.)
 - **Black only** if you're printing line drawings or other non-photographic images.
5. For the **Print Quality** setting, choose **Quality** or **Max Quality**. Or choose **Quality Options** to display a window like the following:

Note: The Print Quality settings depend on the Media Type you selected. Choose lower print quality for faster printing, or **SuperPhoto - 2880dpi** for best quality.



Use the Speed/Quality slider to set the desired quality level. Select from the following additional options and click **OK**:

- **High Speed** for fast, bidirectional printing at lower quality.
- **Edge Smoothing** to improve the quality of low-resolution images.
- **Finest Detail** for sharper edges on vector-based data including text, graphics, and line art. (This setting does not affect photographs and is not recommended for large files.)

6. Set the **Mode** option as follows:

- Click **Automatic** to have the printer driver analyze the contents of your image or file and make the appropriate printing adjustments.

You can choose one of these settings in the drop-down menu:

Charts and Graphs intensifies colors and lightens the midtones and highlights of an image. Use this setting for presentation graphics.

EPSON Standard (sRGB) increases the contrast in images. Use this setting for color photographs.

Adobe RGB matches image colors to the Adobe RGB color standard.

- Click **Custom**, then follow the instructions in the next section to select color management options.

Selecting the Correct Media Type Setting

The table on the next page lists the settings designed to product the best results on Epson media.

If your paper is not listed, check the instructions included with the paper, or look on the Epson website www.proimaging.epson.com (U.S. sales), www.epson.ca (Canadian sales). If you are using non-Epson paper, consult the manufacturer for the best setting. You may have to experiment with different settings to determine which one is best for the media you're using.

For this media	Select this Media Type setting*
Photo Paper	
Premium Luster Photo Paper (260)	Premium Luster Photo Paper (260)
Premium Glossy Photo Paper (250)	Premium Glossy Photo Paper (250)
Premium Semigloss Photo Paper (250)	Premium Semigloss Photo Paper (250)
Premium Semimatte Photo Paper	Premium Semimatte Photo Paper (260)
Premium Glossy Photo Paper (170)	Premium Glossy Photo Paper (170)
Premium Semigloss Photo Paper (170)	Premium Semigloss Photo Paper (170)
Premium Glossy Photo Paper Premium Photo Paper Glossy	Premium Glossy Photo Paper
Premium Semigloss Photo Paper Premium Photo Paper Semigloss	Premium Semigloss Photo Paper
Premium Luster Photo Paper Ultra Premium Photo Paper Luster	Premium Luster Photo Paper
Proofing Paper	
Premium Semimatte Photo Paper (260)	EPSON Proofing Paper White Semimatte
Proofing Paper Commercial Proofing Paper Commercial Semimatte	Epson Proofing Paper Commercial
Fine Art Paper	
Velvet Fine Art Paper	Velvet Fine Art Paper
Watercolor Paper - Radiant White PremierArt Water Resistant Canvas Piezo Pro Matte Canvas	Watercolor Paper - Radiant White
Textured Fine Art Paper	Textured Fine Art Paper
UltraSmooth Fine Art Paper	UltraSmooth Fine Art Paper
Canvas	Canvas

For this media	Select this Media Type setting*
Matte Paper	
Doubleweight Matte Paper	Doubleweight Matte Paper
Singleweight Matte Paper	Singleweight Matte Paper
Presentation Paper Matte	Photo Quality Ink Jet Paper
Enhanced Matte Paper	Enhanced Matte Paper
Ultra Premium Presentation Paper Matte	
Somerset Velvet (roll paper only)	
Plain Paper	
Plain paper	Plain Paper
Others	
Enhanced Matte Posterboard	Enhanced Matte Poster Board
Somerset Velvet (cut sheets only)	

* Other Media Type settings in the list can be used to experiment with other paper types.

Choosing Color Management Options

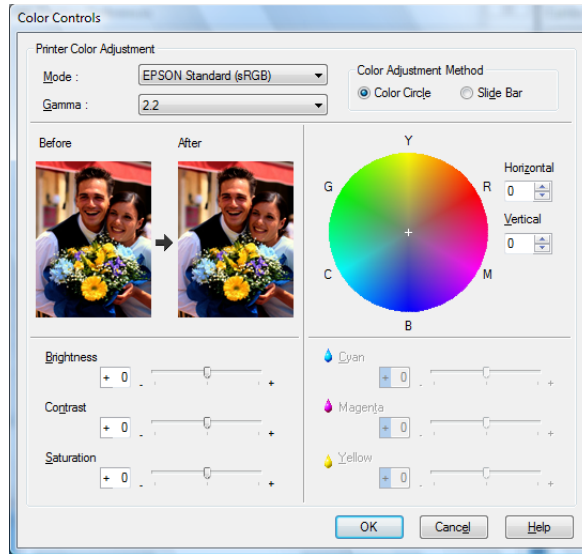
The printer driver offers several methods for managing the color in your prints, including turning the driver's color management settings off.

If you are using color management settings in Photoshop or another application, it is very important to access the advanced settings and turn off color management in the printer driver, as described here. (For instructions on using Photoshop to manage color, see page 123.)

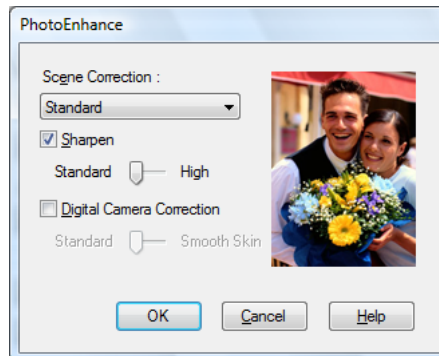
1. In the Properties or Preferences window, make sure the **Main** tab is selected.
2. For the Mode setting, select **Custom**.
3. Choose one of the following settings and click the **Advanced** button:
 - **No Color Adjustment** disables color management in the printer driver. Choose this mode when you use a color managed workflow in Photoshop or other software. See page 123 for instructions.

Tip: If you turn off color management, you can still control the ink density, as described on page 113.

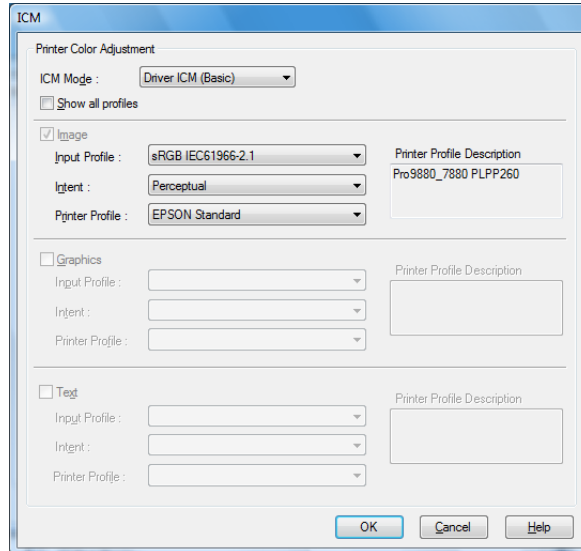
- **Color Controls** lets you specify individual values for adjusting brightness, contrast, saturation, and CMY inks, or choose from three Printer Color Adjustment modes. You can also choose from two Gamma settings, and use either a color circle or slide bar to adjust color.



- **PhotoEnhance** allows you to automatically correct images and choose from six Scene Correction settings.



- ICM adjusts colors based on the printer's ICC profile, using the Image Color Matching system. You can choose the input profile and other settings as shown below.



In most cases, you will get better results by applying color management in your application, rather than in the printer driver. See page 123 for instructions.

4. Click OK to save your settings.

Choosing Roll Paper Options

Note: Many application settings override settings in the printer driver. Always verify settings to get the results you expect.

Follow the steps in this section to print on roll paper and select settings for borderless printing and automatic cutting. (If you're printing on cut sheets, see page 106).

1. On the Properties or Preferences window, make sure the **Main** tab is selected.
2. For the Source setting, select **Roll Paper** or **Roll Paper (Banner)**.

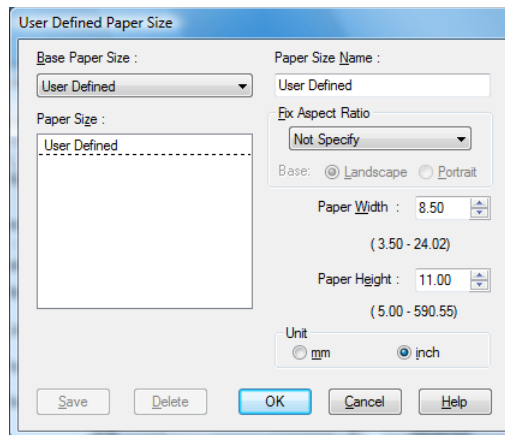
The **Roll Paper (Banner)** setting allows you to print a series of continuous images without any space between them. This option is not available with all applications, and is mostly for tiling an image.

Tip: Creating a user-defined paper size generally lets you make the best use of your roll paper.

Save Roll Paper saves paper by not feeding the blank portion of the last page of your document. Available only if you've selected **Roll Paper (Banner)** as the Paper Source.

3. For the **Size** setting, select the size of your image or output paper.

To make the best use of your roll paper, creating a custom paper size is recommended. Select **User Defined**. You see this window:

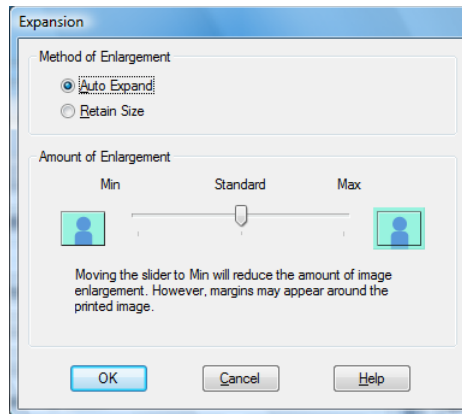


Type a name for your custom size, then enter the size in hundredths of an inch (or centimeters) and click **Save**. Then click **OK**.

4. If you want to reduce or enlarge your image, click the **Page Layout** tab. See page 109 for more information.
5. If you want to print without margins, click **Borderless**. If you're not printing borderless images, go to step 7.

Note that borderless printing takes longer than normal printing. See page 96 for more information about borderless printing on roll paper.

6. Click the **Expansion** button to select a borderless sizing option. Choose **Auto Expand** or **Retain Size**, then click **OK**.



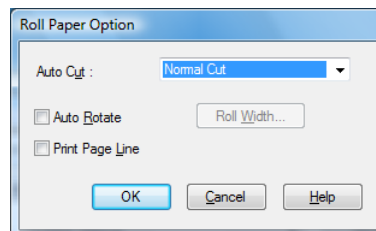
Auto Expand enlarges your image (up to 3%) to fit the size of the paper. You can use the slider to adjust the expansion.

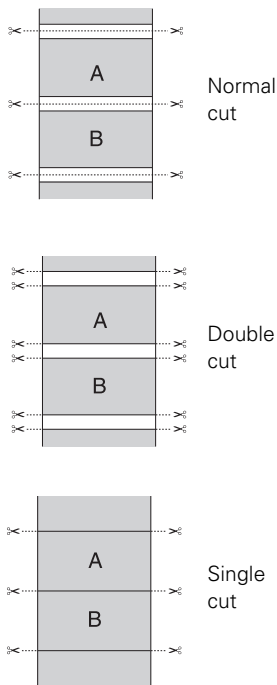
Retain Size prints your image at the size you specify in your application. You need to size it slightly wider than the paper width if you want to print without borders. See page 96 for more information.

The widths shown in the table on page 96 work with the **Standard** Expansion setting. If you use the slider to adjust the amount of expansion, you need to adjust the image width as follows:

- Using the **Min** setting, subtract 0.125 inch from the media width to determine the image width.
- Using the **Max** setting, subtract 0.415 inch from the media width to determine the image width.

7. Click the **Roll Paper Option** button. You see this window:





Note: These settings override settings made through the control panel.

8. Choose one of the following **Auto Cut** settings:
 - **Off** disables automatic cutting. Choose this setting if you want to operate the cutter manually, use the optional Auto Take-Up Reel, or print on heavy media that must be cut by hand. See page 61 for instructions on operating the cutter manually.
 - **Single Cut** allows images to be printed end-to-end and saves paper. With borderless printing, you may see a sliver of the previous or next image if you print multiple images in one print job. You will see a white margin between print jobs.
 - **Normal Cut** allows margin space at the top and bottom of each image.
 - **Double Cut** extends the space between images and trims each print individually. This provides the cleanest edge for borderless printing.

9. Select these additional roll paper options, if necessary:
 - **Auto Rotate** saves paper if your document length is shorter than the printable width of the roll. The document is automatically rotated 90 degrees and printed crosswise. Be sure to click **Roll Width** and select the width of your roll paper.
 - **Print Page Line** prints trim lines on the right and bottom edges of your pages.

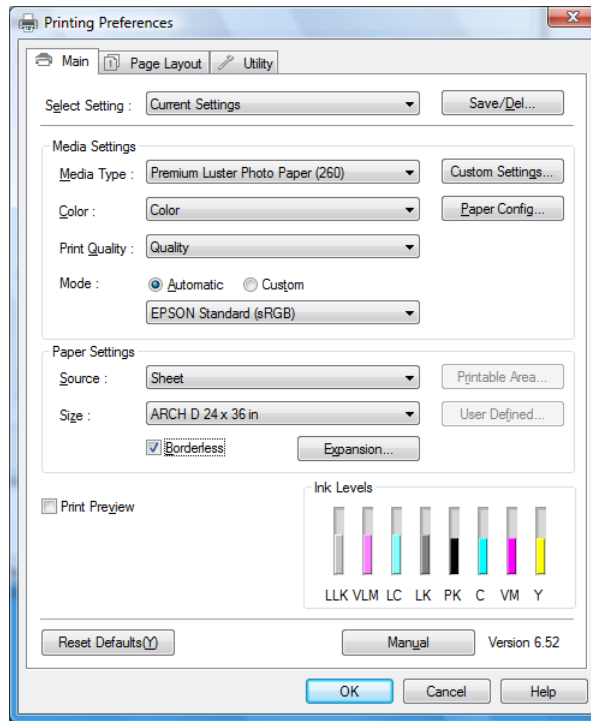
10. When your finished, click OK.

Choosing Cut Sheet Paper Options

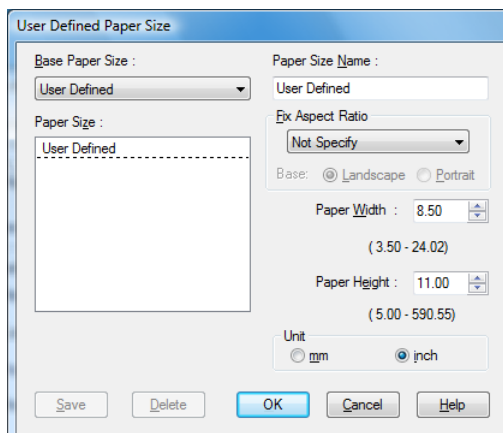
Follow the steps in this section to print on cut sheet paper and select settings for borderless printing, if desired. (If you're printing on roll paper, see page 103.)

1. On the Properties or Preferences window, make sure the **Main** tab is selected.

- For the **Source** setting, select **Sheet**.



- For the **Size** setting, select the size of the sheet loaded in the printer.
If the size of your paper is not listed, you can create a custom paper size. Select **User Defined**. You see this window:



Type a name for your custom size, then enter the size in hundredths of an inch (or centimeters) and click **Save**. Then click **OK**.

4. If you want to center your image on the sheet, click **Printable Area**, then select **Centered**.
5. If you want to print to the edges of the page, click **Borderless** (not available for custom paper sizes). If you're not printing borderless images, go to step 7.

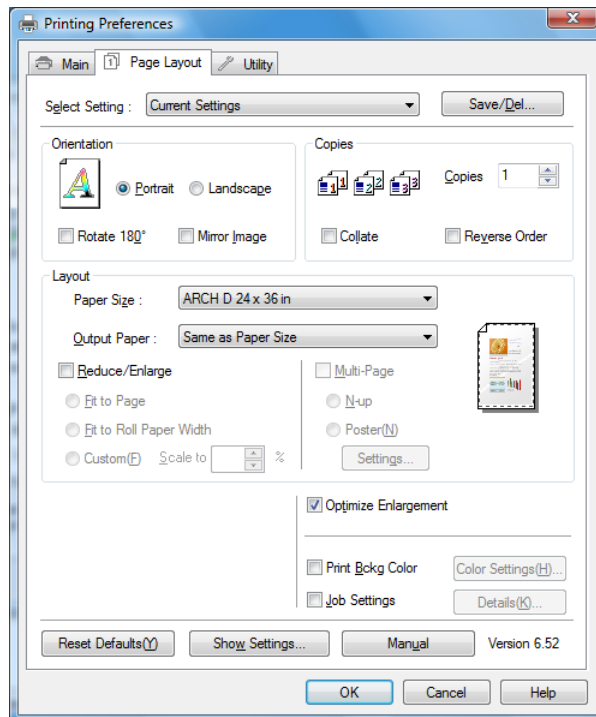
Note that borderless printing applies only to the left and right sides of the page on cut sheets; margins are required at the top and bottom of the page. For full-bleed borderless printing, use roll paper (see page 103 for instructions).

6. Click the **Expansion** button and choose **Auto Expand** or **Retain Size**:
 - **Auto Expand** enlarges your image (up to 3%) to fit the size of the paper. You can use the slider to control the amount of expansion.
 - **Retain Size** prints your image at the size you specify in your application. You need to size it slightly wider than the paper width if you want to print without borders.
7. If you want to reduce or enlarge your image, click the **Page Layout** tab. See the next section for more information.

Choosing Page Layout Options

You can print a poster-size image, even if your application does not support poster printing. Follow these steps to reduce or enlarge your image:

1. On the Properties or Preferences window, click the **Page Layout** tab. You see this window:



Note: Select **Landscape** when you want to rotate your image 90°.

2. Select the settings you want for **Orientation** and **Copies**.
3. Click **Reduce/Enlarge** if you want to have the driver resize your image. You can select **Fit to Page** or **Fit to Roll Paper Width**, or select **Custom** and enter a scaling percentage.
4. If you are enlarging your image beyond the limits of your application program, make sure **Optimize Enlargement** is selected. The driver will increase the image size up to 650% and decrease the output resolution to stay within the pixel limitations. Depending on the resolution of your image and the print size, you may see reduced quality in the print.

5. Click **Print Bckg Color** if you want to print color on the background of the page. Click the **Color Settings** button to select the color you want.
6. Click **Job Settings** if you want to have the time, date, and other information about your print job printed at the top or bottom of the page. Click **Details**, select the settings you want to use, and click **OK**.

Choosing Advanced Black and White Photo Settings

Advanced Black and White Photo mode allows you to easily produce neutral and toned black-and-white prints using your Epson driver and offers an alternative black and white workflow. Advanced Black and White Photo mode also provides settings for more advanced black and white control.

Whether your photo is color or grayscale, you can use this unique screening and color management technology to create stunning black-and-white prints. This mode is available only when printing on certain media types.

Note: If you are printing from Photoshop, make sure you do not use Photoshop's color management settings when using Advanced Black and White Photo mode. There are no profiles associated with this screening and color management technology.

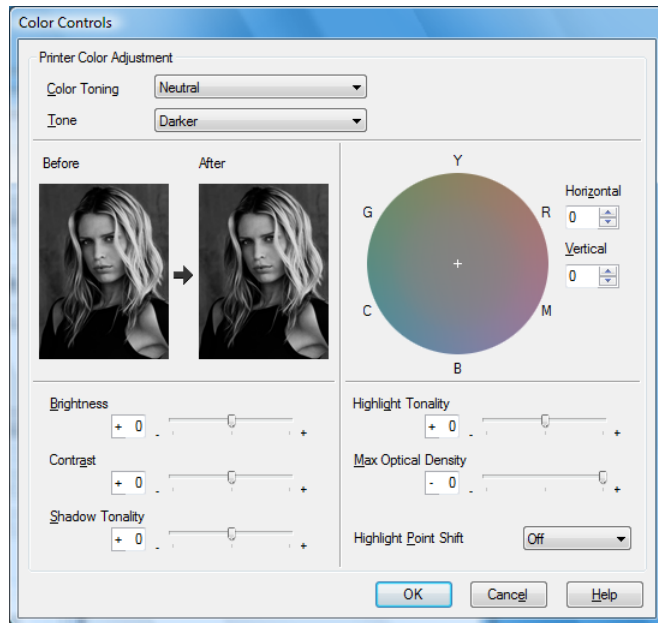
1. On the Properties or Preferences window, make sure the **Main** tab is selected.
2. Select a **Media Type** setting that corresponds to the paper you are printing on.

If your paper is not listed, check the instructions included with the paper, or check the Epson website www.proimaging.epson.com (U.S. sales), www.epson.ca (Canadian sales). If you are using non-Epson media, choose the closest setting or create a custom paper configuration (see page 112). You may have to experiment with different settings to determine which one is best for the media you're using.

3. For the Color setting, choose **Advanced B&W Photo**.
4. For the Mode setting, select **Custom**, then click **Advanced**.

Note: If Advanced Black and White Photo is not available for your media type, you may need to change your black ink cartridge. See page 145 for more information.

You see this screen:



5. You can adjust the following advanced black and white photo settings:
 - **Color Toning** allows you to add tone (hue) to your black and white output. The default is **Neutral**, which will provide you with a neutral tonal scale print. You can also choose other popular presets such as **Cool**, **Warm**, and **Sepia**. Note that the presets will affect the target found in the tone color circle.
 - **Tone** allows you to easily change the entire tonal scale of your black and white output. While **Darker** is the default setting, you may see better results if you choose **Dark**.
 - **Brightness** adjusts the overall lightness and darkness of your image.
 - **Contrast** adjusts the difference between the light and dark areas of your image.
 - **Shadow** and **Highlight Tonality** allow you to control tonality only in the shadow or highlight areas of your image.
 - **Max Optical Density** adjusts the overall density or focus of the print. Create a soft focus print by setting the density to lower.

- **Highlight Point Shift** helps to reduce gloss differential by adding density to the highlights of your image or the full page.
- The tone color circle adjusts the hue of your black and white print. Click on any portion of the color wheel or enter corresponding values to customize the tone (hue) you want to add. The closer you select to the edge of the wheel, the more color you add.

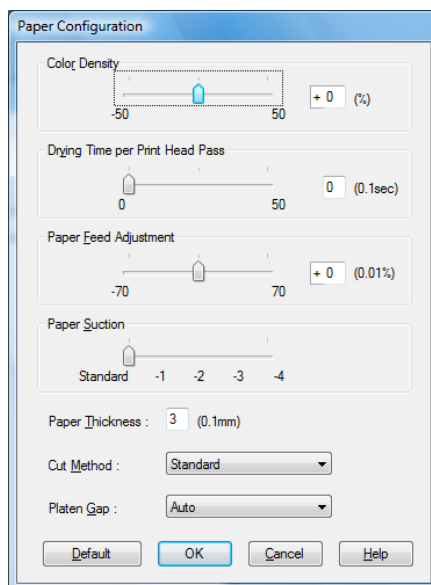
The preview image approximates the image tone based on your settings. Note that this preview always shows the same image and is not color managed. It provides a level of feedback as you make changes.

6. When you finish selecting settings, click OK.

Choosing Paper Configuration Options

If you are using non-Epson media and you need to fine-tune its performance, you can create a custom paper configuration and save it as a **Media Type** setting in the printer driver. Then, whenever you print on that media, you can select the custom Media Type, select the rest of your print settings, and print. You can even export the settings to a file you can share.

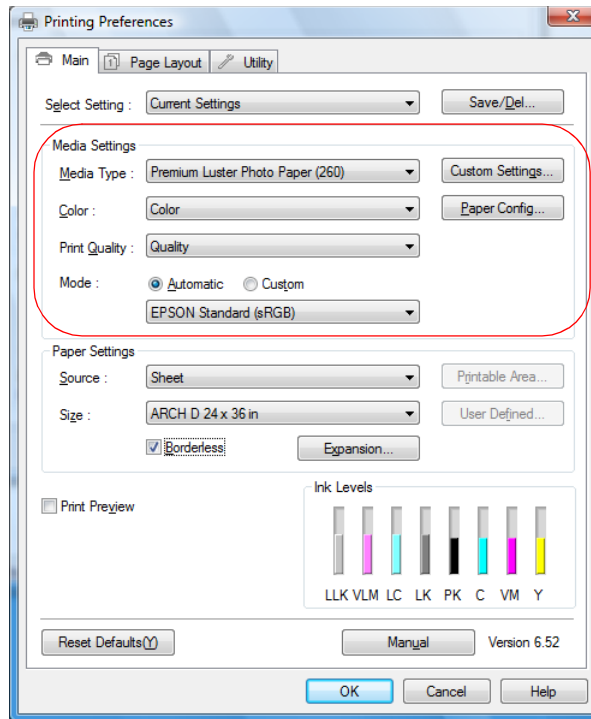
1. Click the **Paper Config** button on the **Main** tab. You see this window:



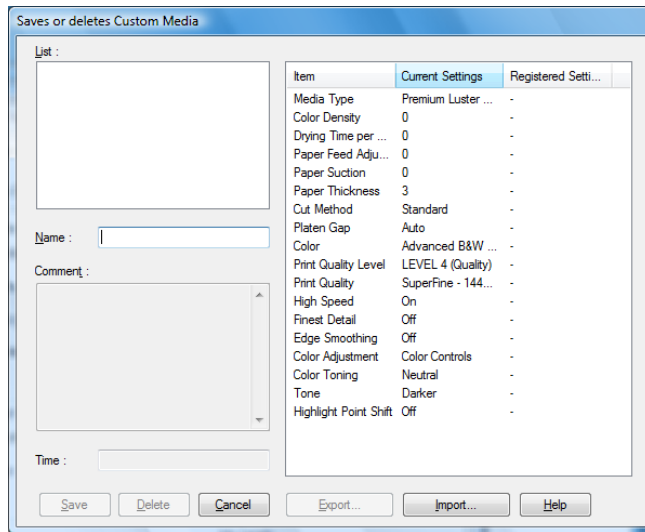
Note: You may need to change the Color Density setting if your custom profile was created to optimize D-max and color gamut.

2. Select the correct settings to match your ICC profile. These settings override any paper configuration settings you may have made using the printer's control panel.
 - **Color Density** lets you control the ink saturation level (for example, when you turn off color management in your printer software).
 - **Drying Time per Print Head Pass** lets you print with non-Epson media and avoid smearing the ink. You can make the print head wait up to 5 seconds after each pass to allow ink to dry.
 - **Paper Feed Adjustment** helps reduce banding. Choose a lower value if you see white lines on your prints, or a higher value if you see dark lines.
 - **Paper Suction** lets you decrease the paper suction level when printing on thinner papers (less than 12 lb), such as CAD drafting paper.
 - **Paper Thickness** helps reduce vertical banding and creates a sharper image when printing on unusually thick or thin paper.
 - **Cut Method** decreases the cutting blade pressure for thinner media, and adjusts the speed for thick media. You may need to experiment to determine the best setting for your paper.
 - **Platen Gap** lets you fine-tune the setting for various paper thicknesses.
3. When you finish selecting Paper Configuration settings, click OK.

4. On the **Main** tab, select any other necessary setting for your paper in the Media Settings box. (See page 97 through page 103 for details.)



5. Click the **Custom Settings** button. You see a window like this:



6. Verify that your settings are correct, type a name for the custom media type, and click **Save**.
7. After saving your settings, you can do the following:
 - To use the settings to print right away, select the name you gave them in the **Media Type** list. Select the rest of the necessary print settings and print.
 - To save the settings to a file that you can share, click the **Custom Settings** button again, click the name of the settings in the list, click **Export**, select a location, enter a file name, and click **Save**.
 - To import settings from a file shared with you that does not exist in your **Media Type** list, click the **Custom Settings** button again, click **Import**, select the file you want to import, and click **Open**. When you return to the window shown above, enter a name for the settings and click **Save**.

Saving, Exporting, and Importing Custom Settings

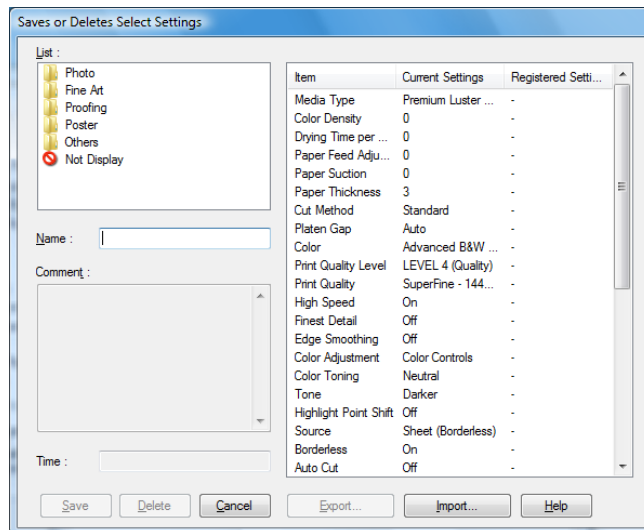
You can save groups of settings so you can reuse them for future print jobs with the same profile/printer/ink/media combination. You can also export them as a file that you can share with others, who can import them for printing.

In addition, the printer driver includes pre-defined setting groups for various types of printing. You can select them to set most of the settings you need, and then customize them for your particular print job.

You can also add, delete, or hide items in the printer driver window to customize the driver for your uses.

Saving and Exporting a Custom Settings Group

1. Follow the instructions in this chapter to select all the correct settings for a print job.
2. Click the **Save/Del** button at the top of the **Main** or **Page Layout** screen. You see a window like this:



3. Verify that your settings are correct, type a name for the settings group, and click **Save**.

4. After saving your settings, you can do the following:
 - To use the setting group to print right away, select the name you gave it in the **Select Setting** list, if necessary, and print.
 - To save the settings to a file that you can share, click the **Save/Del** button again, click the name of the setting group in the list, click **Export**, select a location, enter a file name, and click **Save**.

Importing a Custom Settings Group

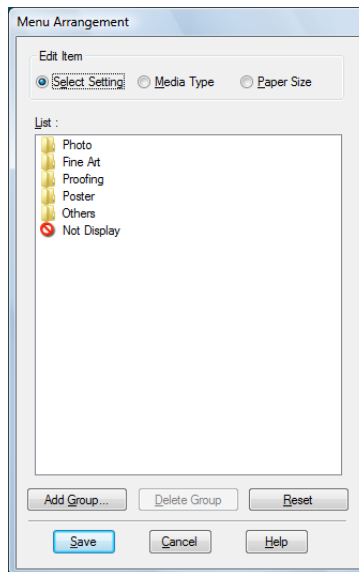
1. To import settings from a file shared with you that does not exist in your **Select Setting** list, click the **Save/Del** button.
2. Click **Import**, select the file you want to import, and click **Open**.
3. When you return to the settings list window, enter a name for the setting group and click **Save**.
4. To use the setting group to print right away, select the name you gave it in the **Select Setting** list, if necessary, and print.

Loading a Pre-Defined Settings Group

1. To view the settings associated with the pre-defined setting groups that came with your printer driver, click the **Save/Del** button. Then click the following category and name, and check the Registered Settings column:
 - Photo > Highest Quality
 - Fine Art > Monochrome
 - Proofing > ICM
 - Poster > Chroma Saturation
 - Others > 2Page N-up
2. Click **Cancel**.
3. To load a pre-defined setting group, select its category name in the **Select Setting** list (if necessary), customize any of the settings that do not match your print job, and print.

Editing Printer Driver Settings

1. Click the Utility tab, then select Menu Arrangement.



2. Select the item you want to edit. You can do the following
 - Drag and drop the items to rearrange them
 - Add or delete groups
 - Move unused items into the Not Display group
3. When you're finished, click **Save**.

Managing Print Jobs

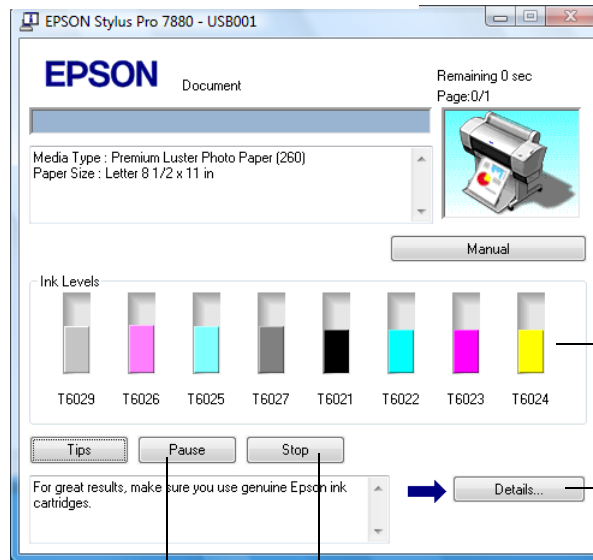
Your printer comes with two utilities that let you check on your print jobs and cancel, pause, or restart them.

The Progress Meter opens each time you send a print job. Status Monitor 3, which appears on the taskbar when you print, lets you check the printer's status and monitor print jobs. You can control how these programs work using the **Speed and Progress** and **Monitoring Preferences** utilities.

Using the Progress Meter

After you send a print job, the Progress Meter window appears:

Note: You can also cancel a print job by pressing the **Pause** button on the printer and holding it for at least 3 seconds.



May not appear if you are printing over a network

Click for more details on the displayed printing tip

Click to pause/resume printing

Click to cancel printing

You can use the buttons to cancel, pause, or restart your print job. You also see how much ink you have left and view printing tips.

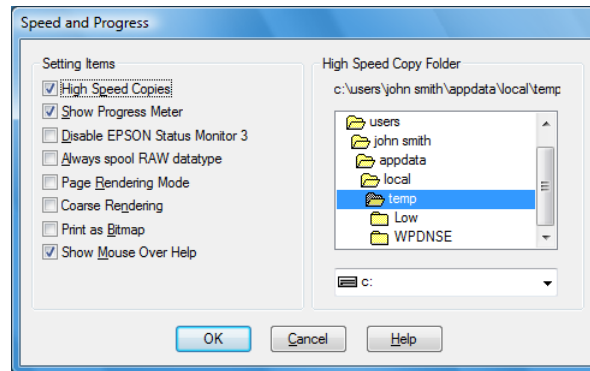
If you don't want the Progress Meter to appear, you can turn it off. See the next section for instructions.

Optimizing Print Speed

You can use the Speed and Progress utility to improve printing speed.

1. Click the **Utility** tab, then click the **Speed and Progress** button. You see this window:

Note: If you want to disable display of the progress meter during printing, you can click the **Show Progress Meter** checkbox to deselect it.



2. Select from the following options:
 - **High Speed Copies** speeds up printing of multiple copies of the same document using hard disk space as a cache. If you have multiple hard drives, you can select a different drive to spool to in the High Speed Copy Folder list to the right.
 - **Show Progress Meter** lets you control whether or not the Progress Meter is displayed when you send a print job.
 - **Disable EPSON Status Monitor 3** disables the printer software utilities. Selecting this option is not recommended unless you experience conflicts with other software.
 - **Always spool RAW datatype** lets you spool documents using the RAW format instead of the EMF (metafile) format. Because the RAW format requires fewer resources, printing is faster and you can avoid certain problems, such as insufficient memory or disk space.
 - **Page Rendering Mode** speeds printing by rendering the entire page. Use this setting if print speed is extremely slow or the print head stops for a few minutes while printing. Printing will take longer to start.

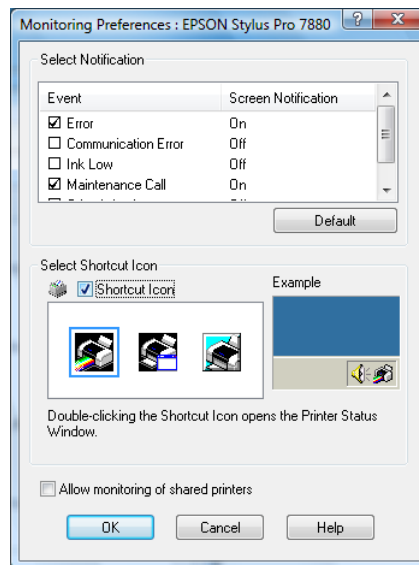
- **Coarse Rendering** allows you to override the length or width limitations in applications (such as Photoshop) that restrict the number of pixels you can print.
- **Print as Bitmap** allows large or complex vector graphics to print faster in Adobe Acrobat® or any other non-image based application.
- **Show Mouse Over Help** lets you turn off the tool tips that appear when you move your cursor over the screen.

3. Click **OK** to save your settings.

Setting Monitoring Preferences

You can choose when and how you want to be notified of problems, whether you want a Status Monitor 3 icon to appear on your Windows taskbar, and whether you want to allow monitoring by other users who share the printer.

1. Click the **Utility** tab, then click the **Monitoring Preferences** button.
You see this window:



2. Select the notification options you want to use if various printing events occur.

3. If you want to have the Status Monitor 3 icon appear in your Windows taskbar, click the **Shortcut Icon** checkbox. Then select the icon to use.

When the shortcut is enabled, you can simply double-click the icon to open the Status Monitor 3 window or right-click it, then select **Monitoring Preferences** in the pop-up menu.

4. Select **Allow monitoring of shared printers** if your printer is shared and you want to let other users monitor it.
5. Click **OK** to save your settings.

Chapter 5: Managing Color With Profiles

For the most precise color in your prints, you can use profiles designed specifically for your printer model and paper type. Basic profiles are installed with your printer driver. For a list of the profiles and their corresponding media types, see page 183 (roll paper types) or page 187 (cut sheet paper types).

Assigning a profile to your image doesn't alter it, only the interpretation of it by your software and how it appears on your monitor and in a printout. This is the best way to improve the color balance and contrast in your image.

Follow the instructions in this chapter to use Photoshop 7, CS, CS2, or CS3 to print with profiles using Photoshop color management (the steps show only CS3 screens). It's important to turn off color management in your printer software when you use Photoshop color management or you'll get unexpected results. See one of these sections for instructions:

- “Macintosh Printing With a Color Profile” below
- “Windows Printing With a Color Profile” on page 127

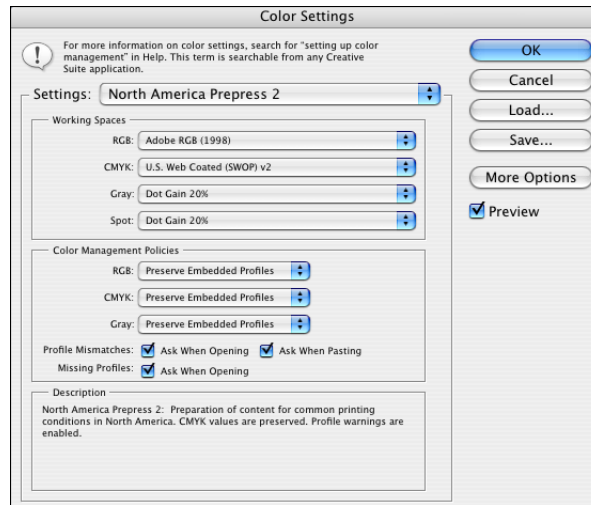
Macintosh Printing With a Color Profile

First you set up your color management environment in Photoshop and assign a profile to your image, then you select your print settings and print.

Setting Up Photoshop and Assigning a Profile

1. Open Adobe Photoshop.
2. Select **Color Settings** from the Photoshop or Edit menu.

You see this window:



3. Select **U.S. Prepress Defaults** or **North America Prepress 2** from the **Settings** menu to set **Adobe RGB (1998)** as the color space. Click **OK**.

4. Open the photo you want to print.

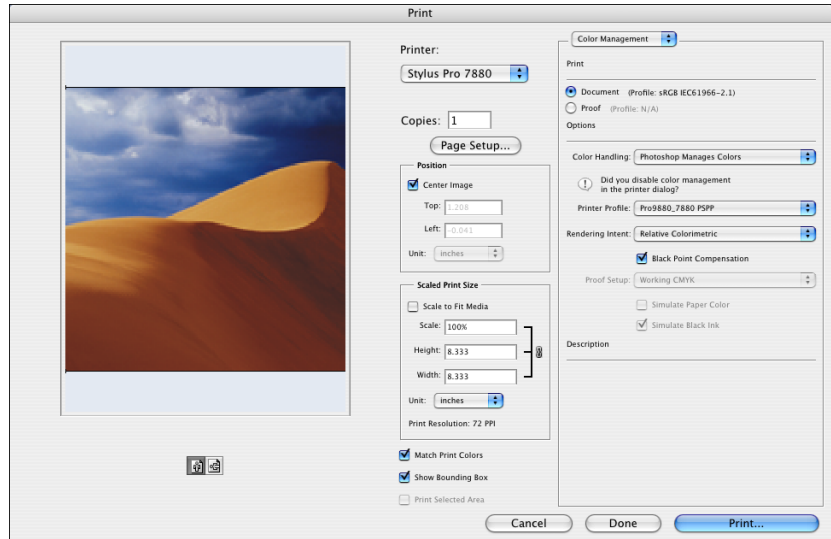
If you see an **Embedded Profile Mismatch** message, select **Use the embedded profile** and click **OK**.

If you see a **Missing Profile** message, select **Assign working RGB: Adobe RGB (1998)** and click **OK**.

5. When your image appears, evaluate the color balance and contrast. If they need improvement, select **Image > Mode > Assign Profile** or **Edit > Assign Profile**. Then select one of the following as the **Profile** setting:
 - A different RGB working space, such as **ColorMatch RGB** or **sRGB IEC61966-2.1**
 - A scanner profile for your scanner
 - A camera profile for your digital camera

Also click the **Preview** box so you can see the effects of your profile choice on the screen.

6. Select File, then click Print or Print with Preview.

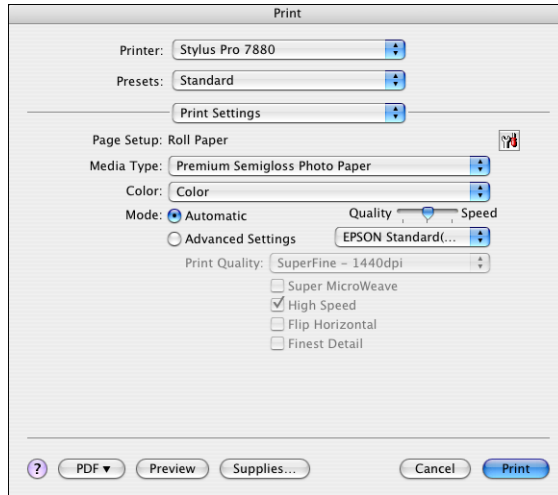


7. Click More Options or Show More Options, then select Color Management.
8. Click Page Setup, select page settings as necessary, and click OK.
9. Under Color Handling, select Let Photoshop Determine Colors or Photoshop Manages Colors.
10. Under Profile or Printer Profile, select a profile for your printer and the paper you'll use, such as Pro 9880_7880 PSPP.
11. As the Intent or Rendering Intent setting, select Relative Colorimetric or Perceptual, and click the Black Point Compensation checkbox.

Note: If your image contains very saturated colors, select **Perceptual**. This reduces the color saturation so that the colors fit within the printer's color gamut.

Selecting Print Settings and Printing

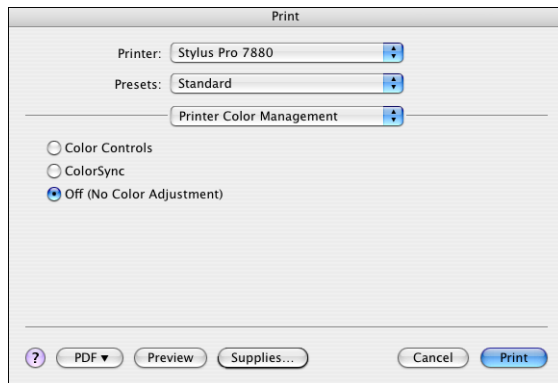
1. Click the Print button, select Stylus Pro 7880 or Stylus Pro 9880, and select Print Settings.



2. Select the Media Type setting for your paper (see page 84).
3. Set the rest of the print settings you want to use (beginning on page 83).
4. Select Printer Color Management, then select Off (No Color Adjustment).

Note: Make sure that you select **Off (No Color Adjustment)**. If you don't, the printer driver will apply additional correction to the image data, producing inaccurate results.

If you selected the wrong combination of source profile, printer profile, and color management settings, you'll get unexpected results.



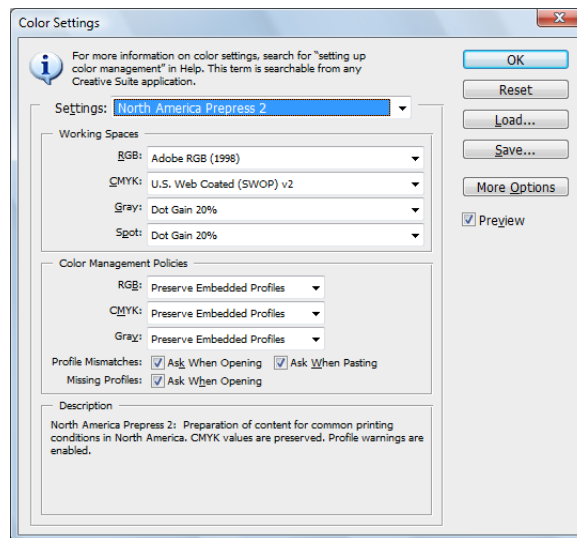
5. Click Print to print your photo.

Windows Printing With a Color Profile

First you set up your color management environment in Photoshop and assign a profile to your image, then you select your print settings and print.

Setting Up Photoshop and Assigning a Profile

1. Open Adobe Photoshop.
2. Select **Color Settings** from the Edit menu. You see this window:



3. Select **U.S. Prepress Defaults** or **North America Prepress 2** from the **Settings** menu to set **Adobe RGB (1998)** as the color space. Click **OK**.
4. Open the photo you want to print.

If you see an **Embedded Profile Mismatch** message, select **Use the embedded profile** and click **OK**.

If you see a **Missing Profile** message, select **Assign working RGB: Adobe RGB (1998)** and click **OK**.

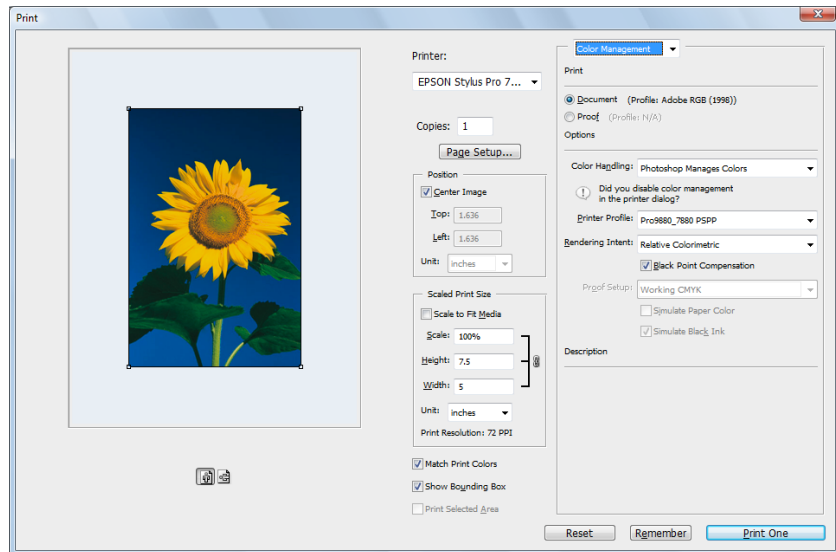
5. When your image appears, evaluate the color balance and contrast. If they need improvement, select **Image > Mode > Assign Profile** or **Edit > Assign Profile**. Then select one of the following as the Profile setting:

- A different RGB working space (or Profile), such as ColorMatch RGB or sRGB IEC61966-2.1
- A scanner profile for your scanner
- A camera profile for your digital camera

Also click the **Preview** box so you can see the effects of your profile choice on the screen.

6. Select **Page Setup** from the **File** menu, select your page settings, and click **OK**.

7. Select **File**, then select **Print** or **Print with Preview**.



8. Click **More Options** or **Show More Options**, then select **Color Management**.

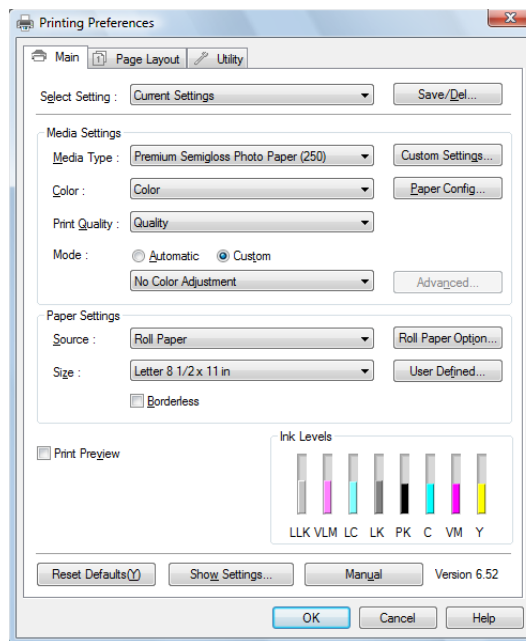
9. Under **Color Handling**, select **Let Photoshop Determine Colors** or **Photoshop Manages Colors**.

10. Under **Profile** or **Printer Profile**, select a profile for your printer and the paper you'll use, such as **Pro9880_7880 PSPP.icc**.
11. For the **Intent** or **Rendering Intent** setting, select **Relative Colorimetric** or **Perceptual**, and click the **Black Point Compensation** checkbox.

Note: If your image contains very saturated colors, select **Perceptual**. This reduces the color saturation so that the colors fit within the printer's color gamut.

Selecting Print Settings and Printing

1. Click the **Print** button, select your printer, and click **Properties** or **Preferences**.
2. Make sure the **Main** tab is selected.
3. Select the **Media Type** setting for your paper (see page 98).



Note: Make sure that you select **Off (No Color Adjustment)**. If you don't, the printer driver will apply additional correction to the image data, producing inaccurate results.

If you selected the wrong combination of source profile, printer profile, and color management settings, you'll get unexpected results.

4. Set the rest of the print settings you want to use (beginning on page 98).
5. For the **Mode** setting, select **Custom**. Then select **No Color Adjustment**.
6. Click **OK**, then click **Print** to print your photo.

Chapter 6: Maintaining and Transporting the Printer

The Epson Stylus Pro 7880 and Pro 9880 require little maintenance to keep working at their best. This chapter describes the following routine procedures:

- Checking printer status and part life
- Checking and cleaning the print head
- Aligning the print head
- Replacing ink cartridges
- Switching the black ink cartridge
- Changing the date and time
- Performing additional maintenance tasks
- Replacing the paper cutter blade
- Replacing the maintenance tank
- Cleaning the printer
- Transporting or storing the printer

In addition to the features described in this chapter, you can also use the menu system on the printer to fine-tune a variety of printer settings. For more information, see page 206.

Checking Printer Status and Part Life

Using the control panel, you can check the amount of ink remaining, the total number of prints, and the status of your cutter blade, maintenance tank, and other printer parts. You can print out a status check (described in the next section), or view the printer's status on the LCD display (see page 132) or a printer driver screen (see page 134).

Printing Status Information

The status check sheet shows some of the current default settings, the amount of ink remaining in each cartridge, the page count, and the status of various printer parts.

1. Make sure paper is loaded in the printer.
2. Press the **Menu** button.
3. Press the ▼ button to highlight **TEST PRINT**, then press **Menu**.
4. Press ▼ to highlight **STATUS SHEET**, then press **Menu**. You see **PRINT**.
5. Press ↵ to start printing.

The amount of ink left or the maintenance tank capacity is indicated as follows:

E[*****]F = 100–81% of ink or maintenance tank capacity remaining

E[****]F = 80–61%

E[***]F = 60–41%

E[**]F = 40–21%

E[*]F = 20–11%

% = less than 10% of ink or maintenance tank capacity remaining

Viewing Status Information

1. Press the **Menu** button.
2. Press the ▼ button until **PRINTER STATUS** is highlighted, then press **Menu**.
3. Do one of the following:
 - To check the firmware version, press **Menu** again. When done, press the ◀ button.
 - To check the number of pages that can be printed with each ink cartridge, press ▼ to highlight **PRINTABLE PAGES**, then press **Menu**. Press ▼ to view the number of pages remaining for each cartridge. When done, press ◀.

Note: You can replace the ink cartridges, cutter blade, and maintenance tank yourself. Other printer parts need to be replaced by an authorized Epson service technician.

(This option must be enabled using maintenance mode on the printer's control panel to display information. See page 149 for instructions.)

- To check the amount of ink left, press ▼ to highlight **INK LEVEL**, then press **Menu**. The status of the first cartridge is displayed, using the symbols described on page 134. Continue pressing ▼ to see the status of the remaining cartridges. When done, press ◀.
- To check how much of the maintenance tank has been used, press ▼ to highlight **MAINTENANCE TANK**, then press **Menu**. The status of the tank is displayed, using the symbols described on page 134. As the tank is filled, the percentage drops. When done, press ◀.
- To check the amount of ink used (in milliliters) and paper used (in centimeters), press ▼ to highlight **USAGE COUNT**, then press **Menu**. When done, press ◀.

You can clear this setting with the **CLEAR USAGE COUNT** option. You can also change the units of measurement from centimeters to inches and feet using maintenance mode on the printer's control panel. See page 149 for instructions.

- To check the job history, press ▼ to highlight **JOB HISTORY**, then press **Menu**. For the last 10 print jobs saved in the printer, you see the ink used (in milliliters) and paper used (in square centimeters). The most recent job is saved as No. 0. When done, press ◀.
- To check the total number of prints, press ▼ to highlight **TOTAL PRINTS**, then press **Menu**. When done, press ◀.
- To check the status of other printer parts, press ▼ to highlight **SERVICE LIFE**, then press **Menu**. The status of the cutter is displayed, using the symbols described below. Continue pressing ▼ to see the status of the carriage motor, paper feed motor, print head, cleaning unit, and pressure motor. When done, press ◀.

Note: The **EDM STATUS** option is for future enhancements to the printer.

The status of the printer parts is indicated with these symbols:

E*****F = 100–81% of service life remaining

E**** F = 80–61%

E*** F = 60–41%

E** F = 40–21%

E* F = 20–11%


% = less than 10% of service life remaining

4. Press the **||** Pause button to exit the menu.


For more information about the Printer Status menu, see page 206.

Checking Printer Status From the Printer Driver

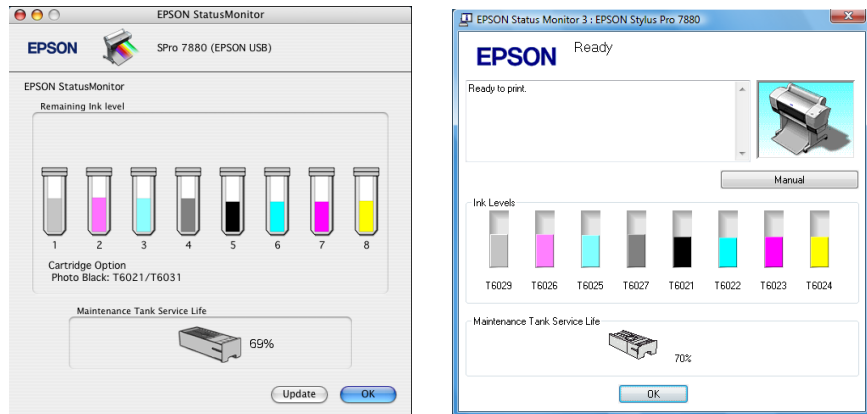
The Epson Status Monitor utility installed with your printer driver lets you check the levels of ink in the printer and the level of the maintenance tank(s). Follow the steps below to use the utility to check the status.

Tip: On a Macintosh, you can also run maintenance utilities by clicking the **Utility** button in the print job window or the  icon on the printer settings screen.

If you added a shortcut icon for your printer to the Windows taskbar, you can right-click it and select any utility you want to run. See page 121 to add the icon.

1. Do one of the following to access the printer utilities:
 - **Mac OS X:** Open the **EPSON Printer Utility2** in your **Applications** folder. Select your printer and click **OK**.
 - **Windows Vista:** Click , select **Control Panel**, select **Hardware and Sound**, and click **Printers**. Right-click the icon for your printer and select **Properties**. Click the **Utility** tab.
 - **Windows XP:** Click **Start** and select **Control Panel**. Double-click **Printers and Faxes**. Right-click your printer icon and select **Printing Preferences**. Click the **Utility** tab.
2. Click the **EPSON StatusMonitor (Mac OS X)** or **EPSON Status Monitor 3** icon.

The software check the amount of ink in the printer and maintenance tank(s) and displays one of these windows:




Checking and Cleaning the Print Head

Note: You can run a cleaning cycle by holding down the **Menu** button for three seconds. You can also use the printer's menus to run a power cleaning cycle. See page 138 for details.

If your printed image shows a color shift or horizontal lines, you should check the print head to see if any nozzles are clogged or deflected. If necessary, the printer will automatically run a cleaning cycle to clear the nozzles.


You can also turn on Auto Nozzle Check from the printer's control panel. The printer will then check the nozzles periodically or before each print job and clean them if necessary.

Running the Nozzle Check and Head Cleaning Utilities

Tip: On a Macintosh, you can also run maintenance utilities by clicking the **Utility** button in the print job window or the  icon on the printer settings screen.

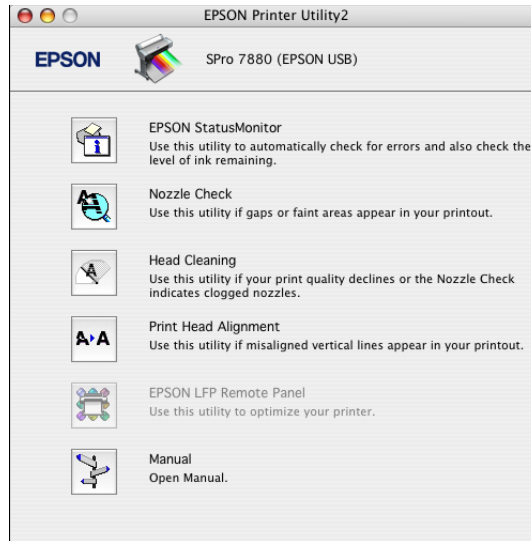
If you added a shortcut icon for your printer to the Windows taskbar, you can right-click it and select any utility you want to run. See page 121 to add the icon.

Follow these steps to use your printer software to check the print head nozzles and clean them if necessary:

1. Make sure paper is loaded in the printer.
2. Do one of the following to access the printer utilities:
 - **Mac OS X:** Open the EPSON Printer Utility2 in your Applications folder. Select your printer and click OK.
 - **Windows Vista:** Click , select **Control Panel**, select **Hardware and Sound**, and click **Printers**. Right-click the icon for your printer and select **Properties**. Click the **Utility** tab.

- **Windows XP:** Click **Start** and select **Control Panel**. Double-click **Printers and Faxes**. Right-click your printer icon and select **Printing Preferences**. Click the **Utility** tab.

You see a menu like the following:



3. Select the **Nozzle Check** icon.
4. Click **Auto** and follow the instructions on the screen.

The nozzle check pattern is printed and automatically read. If the printer finds clogged nozzles, it runs a cleaning cycle.

If the nozzles do not clear after a few cleaning cycles, run a power cleaning cycle, as described on page 138.

Checking and Cleaning the Print Head Using the Control Panel

Follow these steps to have the printer check the print head nozzles and clean them if necessary.

1. Press the **Menu** button.
2. Press the **▼** button until **TEST PRINT** is highlighted, then press **Menu**. **NOZZLE CHECK** is selected.

Caution: Don't run a cleaning cycle while thick media is loaded in the printer.

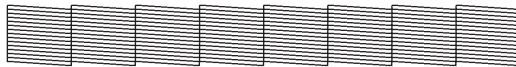
3. Press **Menu**, then press ↵ to start printing the nozzle check pattern.

The nozzle check pattern is printed and automatically read. If the printer finds clogged nozzles, it runs a cleaning cycle.

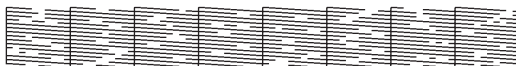
Manually Checking and Cleaning the Print Head

If you turn off Auto Cleaning, you can print a nozzle check and manually examine it to determine whether any nozzles are clogged or deflected. Then you can run a cleaning cycle by pressing and holding the **Menu** button.

1. Press the **Menu** button. **PRINTER SETUP** is highlighted. Press **Menu** again.
2. Press the ▼ button until **AUTO CLEANING** is highlighted, then press **Menu**.
3. Press the ▼ to select **OFF**, then press ↵ to save the setting.
4. Press the ◀ button twice.
5. Press ▼ to highlight **TEST PRINT**, then press **Menu**. **NOZZLE CHECK** is selected.
6. Press **Menu**, then press ↵ to start printing the nozzle check pattern.
7. After the pattern is printed, use at least a 10× eye loupe to examine it.
 - If the pattern looks good, as shown below, the print head is clean.







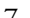
- If any dots or segments are missing or deflected, as shown below, run a cleaning cycle by pressing and holding the **Menu** button for at least 3 seconds. Then print another nozzle check pattern to make sure the nozzles are clean.



Running a Power Cleaning Cycle

You can run a power cleaning cycle from the control panel if the normal cleaning process is not sufficient to clear the nozzles. However, the power cycle uses a large quantity of ink, so it is recommended only as a last resort.

The cartridges need to be at least 50% full to use power cleaning. You may need to replace a low cartridge to run the cleaning cycle. After cleaning, you can reinsert the old cartridge.

1. Print a nozzle check to make sure the print head needs cleaning, as described on page 137.
2. Make sure the printer is ready and the red  Ink light on the printer's LCD display is not on or flashing.
3. Press the **Menu** button.
4. Press the  button until **MAINTENANCE** is highlighted, then press **Menu**.
5. Press  until **POWER CLEANING** is highlighted, then press **Menu**. Press **Menu** again, then press  to start the power cleaning.
6. Follow the instructions on the LCD display to raise or lower the ink levers.
7. When cleaning is finished and the  Pause light stops flashing, print the nozzle check again to confirm that the head is clean.

For effective cleaning, always run a nozzle check between cycles.

If the pattern is still missing segments or has deflections after a power cleaning cycle, turn the printer off and leave it overnight, then clean the print head again the following morning with regular cleaning cycles. If you still see no improvement, contact Epson for assistance.

Caution: Don't run a cleaning cycle while thick media is loaded in the printer.

Note: You must use at least a 10x eye loupe to examine the nozzle check pattern for deflected nozzles.

Aligning the Print Head

Aligning the print head is the most important thing you can do to ensure the best print quality. If banding appears on your prints, if they look grainy or blurry, or if you see misregistration or “ghosting,” you need to align the print head.

Although you can align the print head using the printer utility software, it’s also easy to align from the printer’s control panel. This will do the most thorough job in the shortest time, and it’s all automatic.

If you haven’t already done so, it’s a good idea to run a nozzle check before aligning the print head (page 137). This ensures that the print head alignment patterns print correctly.

Follow these steps to align the print head using the control panel:

Tip: To properly align the print head, you can also use Epson Doubleweight Matte Paper or Ultra Premium Photo Paper Luster.

1. Make sure the printer is turned on. Then load Epson Enhanced Matte paper.
2. Press the **Menu** button.
3. Press **▼** button **HEAD ALIGNMENT** is highlighted, then press **Menu**. **PAPER THICKNESS** is highlighted.
4. Press **Menu**. The **STANDARD** setting is selected by default. This is the correct thickness setting for most Epson papers.
5. Press **↵** to save the setting.
6. Press **◀**, then press **▼** to highlight **ALIGNMENT**.
7. Press the **Menu** button to highlight **AUTO**, then press **Menu** again. **UNI-D** (uni-directional) is highlighted. This is the type of alignment to start with.
8. Press the **↵** button to start the alignment process.

Each head alignment takes about 7 minutes. The printer’s white beam sensor reads the alignment pattern and adjusts the printer automatically. Make sure you don’t open the front cover or turn off the printer during this process.

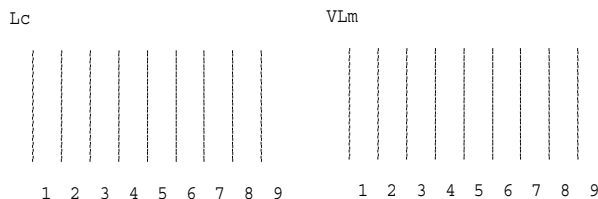
9. When the uni-directional alignment is finished, press ▼ until **BI-D 2-COLOR** is highlighted. Then press ↵ to start the bi-directional black alignment process.
10. When the bi-directional black alignment is finished, press ▼ until **BI-D ALL** is highlighted. Then press ↵ to start the alignment process.
11. When done, press the ■ Pause button to exit head alignment mode.

If you want to fine-tune the automatic alignment process, you can perform a manual head alignment; see the next section.

Manually Aligning the Print Head

Tip: To properly align the print head, you can also use Epson Doubleweight Matte Paper or Ultra Premium Photo Paper Luster.

1. Make sure the printer is turned on. Then load Epson Enhanced Matte paper or the paper that came with the printer.
2. Press the **Menu** button.
3. Press the ▼ button until **HEAD ALIGNMENT** is highlighted, then press **Menu**. **PAPER THICKNESS** is highlighted.
4. Press **Menu**. The **STANDARD** setting is selected by default. This is the correct thickness setting for most Epson papers.
5. Press ↵ to save the setting.
6. Press ◀, then press ▼ to highlight **ALIGNMENT**.
7. Press the **Menu** button to highlight **MANUAL**, then press **Menu** again.
8. Press ▼ to highlight **BI-D 2-COLOR**, then press ↵ to start printing the alignment patterns.



9. Examine the patterns and determine which number is each set has the smallest gaps in the lines. Press the ▲ or ▼ button to select the number for the first set, then press ↵.
10. Repeat step 9 for the next set of patterns.
11. If you want to continue aligning the print head, press ◀, select BI-D ALL, and repeat the steps above to print and check other patterns. If additional alignment is necessary, you can repeat this step and select UNI-D instead.
12. When you finish aligning the print head, press the ⏸ Pause button to exit.

Replacing Ink Cartridges

Tip: You can store partially used ink cartridges for up to 6 months. If you do so, Epson recommends covering the openings with tape.

Before you begin a large print job, you should check your ink levels. If one of your cartridges is low, you can replace it before you start. Or you can wait until the ink is expended, replace the cartridge, and then continue the job without any loss of print quality. However, it is best to replace a low ink cartridge before starting a large print job.

The easiest way to check ink levels is from the control panel LCD display. The numbers below the ink icons on the LCD display correspond to the 8 ink cartridge slots on the printer. The icons show the percentage of ink remaining as follows:

100–81%	20% or less
80–61%	Ink low
60–41%	Ink expended
40–21%	Cartridge error or no cartridge

When the red ♦ Ink light is flashing and **INK LOW** appears on the LCD display, the indicated cartridge is almost expended. Make sure you have a replacement cartridge. When the light stays on and **REPLACE INK CARTRIDGE** is displayed, the cartridge is expended. You must replace the cartridge before you can continue printing.

You can install any combination of 110 ml and 220 ml cartridges.

Note: We recommend that you use genuine Epson cartridges and do not refill them. The use of other products may affect your print quality and could result in printer damage.

Yields vary considerably based on images printed, print settings, paper type, frequency of use, and temperature. For print quality, a small amount of ink remains in the cartridge after the “replace cartridge” indicator comes on.

For best printing results, use up a cartridge with six months of opening the package.

Caution: Leave the expended cartridge in the printer until you are ready to replace it.

To prevent ink reporting errors, never replace the ink cartridges with the printer turned off.

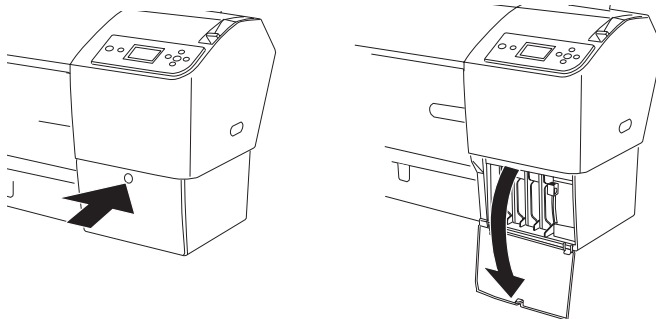
Use the following Epson UltraChrome K3™ ink cartridges:

Slot no.	Cartridge	110 ml	220 ml
1	Light Light Black	T602900	T603900
2	Vivid Light Magenta	T602600	T603600
3	Light Cyan	T602500	T603500
4	Light Black	T602700	T603700
5	Photo Black	T602100	T603100
	Matte Black	T611800	T612800
6	Cyan	T602200	T603200
7	Vivid Magenta	T602300	T603300
8	Yellow	T602400	T603400

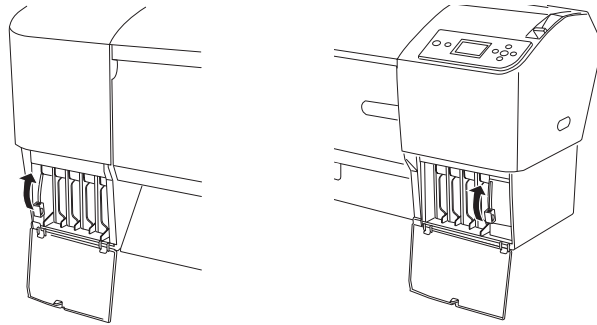
You can purchase genuine Epson ink and paper from an Epson Professional Imaging Authorized Reseller. To find the nearest reseller, visit www.proimaging.epson.com (U.S. sales), www.epson.ca (Canadian sales), or call 800-GO-EPSON (800-463-7766). Or you can purchase online at www.proimaging.epson.com (U.S. sales) or www.epson.ca (Canadian sales).

Before you start, make sure the printer is turned on. Then follow these steps to replace an ink cartridge:

1. Note the color of the cartridge that is low or expended. This is the cartridge you need to replace.
2. Press the ink compartment covers to open them.

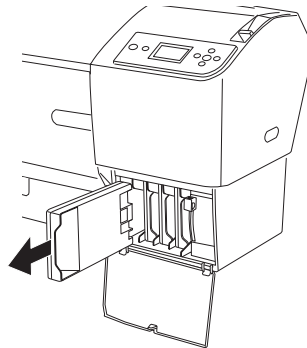


3. Raise the ink levers to the unlocked position.

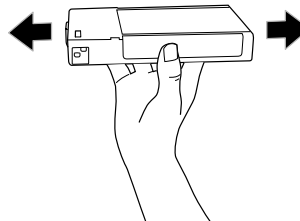


WARNING: Do not shake the expended cartridge, or ink may leak out. If ink gets on your hands, wash them thoroughly with soap and water. If ink gets in your eyes, flush them immediately with water.

4. Remove the expended ink cartridge from the printer. It's a good idea to save your first set of expended cartridges so you can use them for transporting the printer, if necessary.

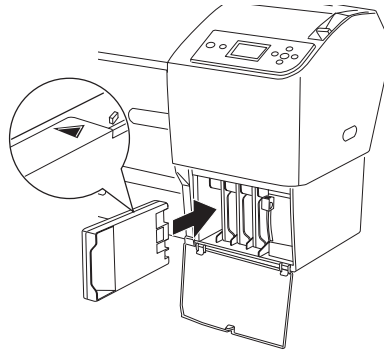


5. Make sure the replacement cartridge is the correct color and remove it from its package.
6. Gently shake the cartridge before installing it.

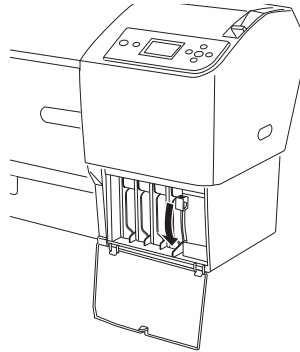


Note: If you can't insert the cartridge smoothly, you may have the wrong cartridge. Check the package and product code. If the **Ink** light remains on after installing the cartridge, it may not be inserted fully.

7. Hold the cartridge with the arrow pointing toward the printer. Then insert the cartridge into the slot. Don't force it in.

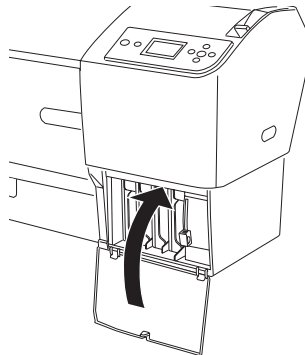


8. Lower the ink levers to their locked position.



Caution: Do not remove and re-insert cartridges more often than necessary. Doing so can compromise the needle valve seal and allow air to enter the ink tubes, causing nozzle damage.

9. Close the ink compartment covers.



Once the cartridge is installed, the printer returns to its **READY** state.

Switching Black Ink Cartridges

Caution: To avoid interrupting the ink switching process, do not turn off the printer, open the front cover, release the paper lever, remove the ink cartridges, remove the maintenance tank, or unplug the power cord. Do not leave the printer unattended during this process.

Note: If a power failure occurs during this procedure, turn the printer on again. You can continue the process at the point where it was interrupted.

You can switch the black ink from Photo Black to Matte Black or vice-versa. You will need to use the Black Ink Conversion Kit (included with your printer) and the new black ink cartridge (either Matte or Photo) that you want to convert to. The Conversion Kit includes three special cartridges (yellow, magenta, and cyan) which are used to reduce the amount of ink consumed in the conversion. You can use the Conversion Kit multiple times.

- The Photo Black cartridge is ideal for printing photographic images on all media types. It is optimized for traditional photographic and ink jet-coated papers, such as Epson Ultra Premium Photo Paper Luster, Premium Photo Paper Semi-gloss, Proofing Paper Commercial, and so on.
- The Matte Black cartridge is optimized for printing photographic images on matte or fine art papers, such as Epson Ultra Premium Presentation Paper Matte and Epson Velvet Fine Art Paper.

Generally, you should switch black ink cartridges only if you plan to run a large number of print jobs in the new mode. Since it takes several minutes to switch and consumes a significant quantity of ink, don't switch cartridges more often than necessary.

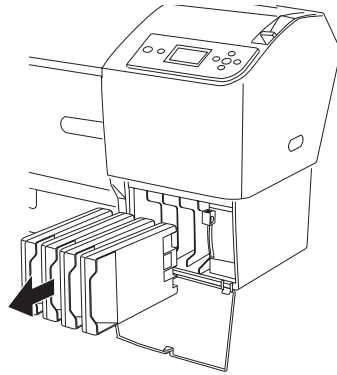
Changing the black ink cartridge also consumes color ink. The amount of ink flushed through the printer varies, but approximately 88 to 117 ml of ink (all cartridges combined) is used. All cartridges should be at least 30% full before you begin the conversion process.

If **MAINT TANK FULL** or **MAINT TANK NEAR FULL** appears on the LCD, you need to replace the maintenance tank before you change black ink cartridges. See page 154 for instructions.

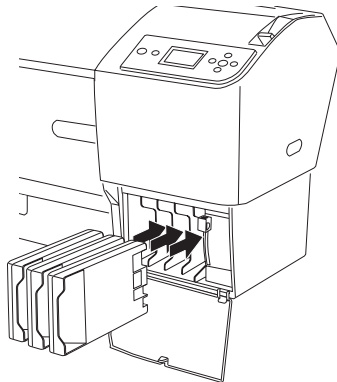
Draining the Old Ink

1. Make sure **READY** appears on the LCD display.
2. Press the **Menu** button.
3. Press the ▼ button until **MAINTENANCE** is highlighted, then press **Menu**.
4. Press the ▼ button to highlight **BK INK CHANGE**, then press **Menu**.

5. Press the ↶ button.
6. Follow the instructions on the LCD display to raise the ink levers.
7. When REMOVE ALL FOUR INK CARTRIDGES ON THE RIGHT SIDE appears, remove all four ink cartridges from the right ink compartment.



8. When INSTALL C/M/Y CONVERSION CARTRIDGES appears, insert the three conversion cartridges in the slots on the right ink compartment.



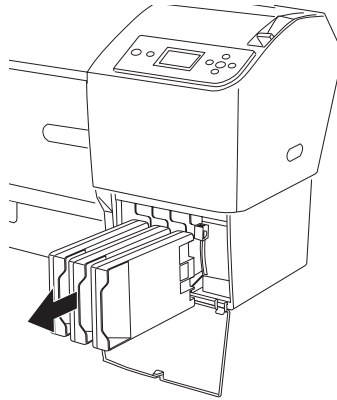
Note: If REPLACE CONVERSION CRTG appears, press the ■ Pause button. Remove the old conversion cartridge(s) from the right ink compartment, and then insert the new conversion cartridge(s). Go to step 4 to start again.

9. When LOWER THE RIGHT INK LEVER appears on the LCD display, lower the ink lever on the right ink compartment.

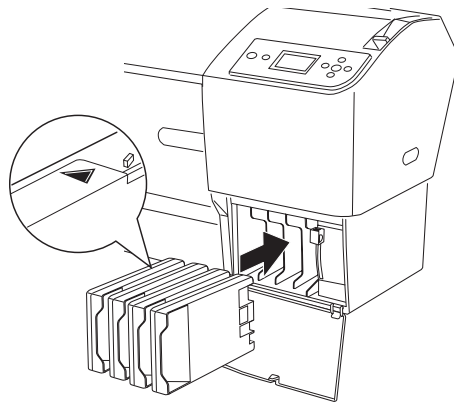
The printer starts draining ink and DRAINING INK XX% appears on the LCD display. Wait until draining is complete.

Installing the New Black Ink Cartridge

1. When draining is complete, **RAISE THE RIGHT INK LEVER** appears on the LCD. Raise the ink lever on the right ink compartment.
2. When **REMOVE C/M/Y CONVERSION CARTRIDGES** appears, remove the conversion cartridges from the slots on the right ink compartment.



3. When **INSTALL ALL FOUR INK CARTRIDGES ON THE RIGHT SIDE** appears, insert the cartridges in their specified slots, including the new black ink cartridge.



4. When **LOWER THE RIGHT INK LEVER** appears, lower the ink lever on the right ink compartment. Repeat this step for the left ink compartment.

5. When RAISE THE RIGHT INK LEVER appears, raise the ink lever on the right ink compartment. Repeat this step for the left ink compartment.
6. The printer starts charging ink. After a while, ink lever messages appear on the LCD display. Raise or lower the ink levers accordingly.
7. When LOWER THE RIGHT INK LEVER AND CLOSE THE COVER appears on the LCD display, lower the lever and close the cover. Then repeat this step for the left ink lever and cover.

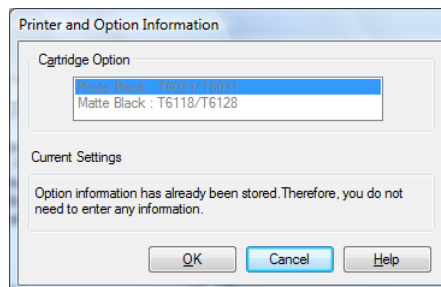
Updating the Printer Driver Information

Note: After you switch to Matte Black ink, you will no longer see glossy media types in your printer driver. Only media types that work with Matte Black ink will appear.

After you have switched black ink modes, you need to update the driver information. Follow the instructions for your operating system.

- **Mac OS X:** Check the ink status using the Epson Printer Utility², following the instructions on page 131. Click the **Update** button and confirm that the correct black cartridge is displayed.
- **Windows:** Access the printer driver as described on page 97. On the Main tab, make sure that the correct ink cartridge is displayed.

If not, click the **Utility** tab, then click the **Printer and Option Information** button.



Select the cartridge you installed and click **OK**.

Changing the Date and Time

Note: You can use the PRINTER SETUP menu to enable the roll paper counter, paper size check, and several other printer features. For more information, see page 206.

1. Press the **Menu** button.
2. Press ▼ until **MAINTENANCE** is highlighted, then press **Menu**.
3. Press ▼ until you see **CLOCK SETTING**, then press **Menu**.
4. Use the ▼, ▲, and **Menu** buttons to set each item in the date and time, displayed in the following format: **MM/DD/YY HH:MM**.
5. Press ↵ to save the setting.

Using Maintenance Mode

Maintenance mode allows you to make special settings and perform maintenance procedures that may be needed occasionally. You can use maintenance mode to do the following:

- Print a hex dump for diagnosing problems
- Change the language or units of measurements used on the printer's control panel menus
- Enable the printable pages counter
- Change the default pressure setting for the automatic cutter
- Run a “super strong” cleaning cycle.
- Track the amount of roll paper remaining
- Enable power on roll paper feed
- Return all of the printer's control panel settings to their default values
- Check ink information

Follow these steps to use maintenance mode:

1. Make sure the printer is turned off.
2. Press and hold the **||** Pause button, then press the **⏻** Power button and hold it until the printer turns on and the LCD displays **MAINTENANCE MODE**.
3. Use the **▼** and **▲** buttons to select the settings described below. If you need to back up to the previous menu level, press **◀**.
 - To print a hex dump of data in the printer's buffer, press the **Menu** button to display **PRINT**. Then press **↵** to print the 16-byte hex data in the left column and corresponding ASCII characters in the right column. Press the **||** Pause button to print the last page.
 - To change the language on the LCD display, press **▼** to highlight **LANGUAGE**, then press **Menu**. Press **▼** until you see the language you want, then press **↵** to select it. The printer exits maintenance mode and returns to normal operation.
 - To enable the remaining paper counter, press **▼** to highlight **REMAINING PPR SETUP**, then press **Menu**. Press **▼** to select **ROLL**, then press **↵**.
 - To change the units of measurement, press **▼** to highlight **UNIT**, then press **Menu**. Press **▼** to switch from **METER** to **FEET/INCH**, then press **↵** to select it. Press **◀** when done.
 - To change the default cutting pressure, press **▼** to highlight **CUT PRESSURE**, then press **Menu** to display **100%**. Press **▼** to decrease the pressure, or **▲** to increase it (in 1% increments). Press **↵** to select the setting you want.
 - To run a super strong cleaning cycle, press **▼** to highlight **SS CLEANING**, then press **Menu** to display **EXECUTE**. Press **↵** to start the cleaning cycle.
 - To enable roll paper feeding at power-on, press **▼** to display **PWR ON ROLL PPR FEED**, then press **Menu**. Press **▼** to select the setting you want, then press **↵** to save it.
 - To return all control panel settings to their default values, press **▼** to highlight **DEFAULT PANEL**, then press **Menu** to display **EXECUTE**. Press **↵** to restore the default settings.

- To check the ink cartridges, press ▼ to highlight INK INFO MENU, then press **Menu**. Press ▼ to select each cartridge, then press **Menu** to view the information.
4. To exit maintenance mode, turn off the printer by pressing the ⏻ Power button. Press the ⏻ Power button again to turn on the printer in the normal operating mode.

Replacing the Paper Cutter Blade

If you notice that your paper isn't being cut cleanly, the cutter blade may need to be replaced. If you use the blade to cut heavy stock, you will damage the blade and need to replace it. See page 56 for a list of media that do not work with the cutter.

You can check the status of your cutter by printing the status check sheet or viewing its status on the control panel. See page 132 for instructions.

You can obtain a new cutter blade from Epson (part number C12C815291). See page 12 for ordering details.

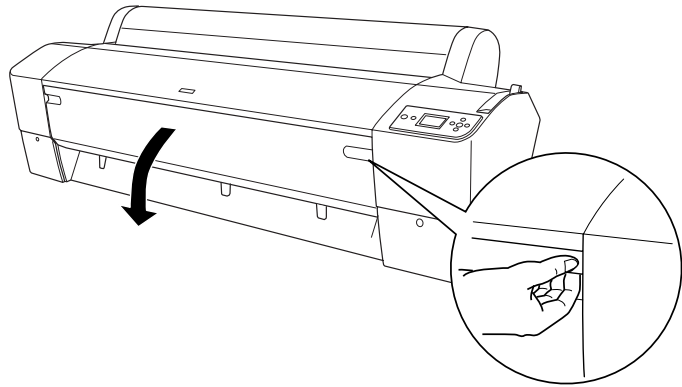
Removing the Old Blade

Make sure the printer is turned on, then follow these steps to remove the blade:

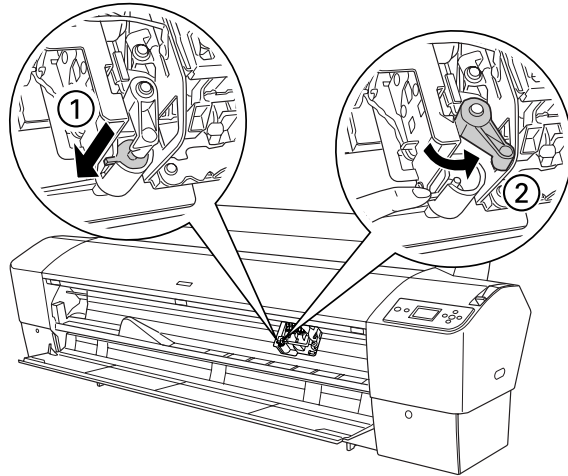
1. Press the **Menu** button.
2. Press ▼ until **MAINTENANCE** is highlighted, then press **Menu**.
3. **CUTTER REPLACEMENT** is highlighted. Press **Menu** again.
4. Press ↵. The print head moves to the replacement position. **OPEN FRONT COVER TO SEE CUTTER REPLACEMENT LABEL** is displayed.

Caution: Do not try to slide the carriage by hand, or you may damage the printer.

5. Open the front cover.



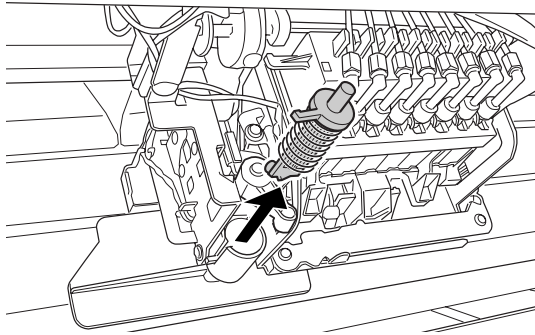
6. When **SEE LABEL TO REPLACE CUTTER** is displayed on the LCD display, hold down the side pin (as shown on the left) and turn the latch to the right (as shown on the right).



WARNING: The blade is sharp. Be careful when removing it.

7. Release the side pin. The cutter pops out.

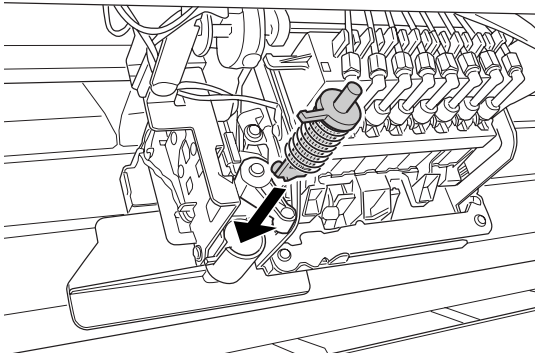
8. Carefully remove the cutter blade.



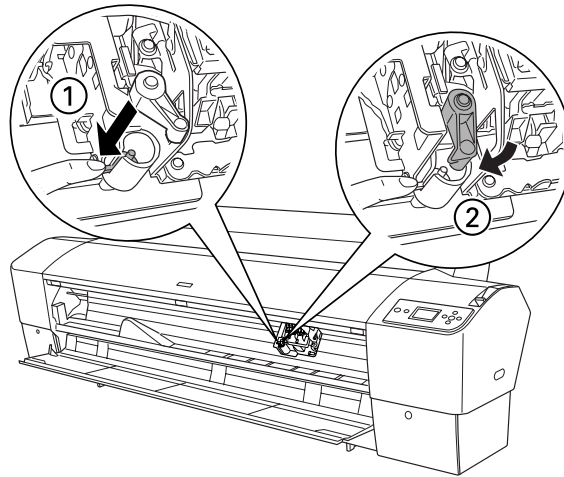
Installing the New Cutter Blade

Remove the new blade from its package, then follow these steps to install it:

1. Insert the new cutter as shown.



2. Push down on the side pin while turning the latch to the left.

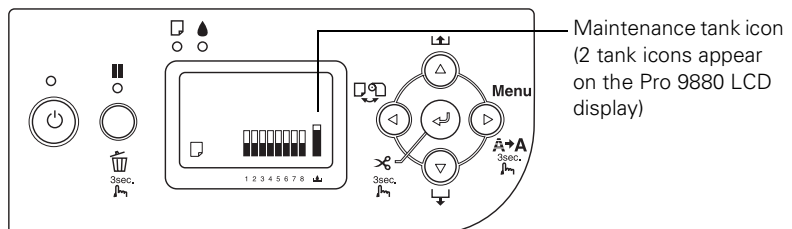


3. Close the front cover when you see a message prompting you to do so. The cutter moves to the home position and **READY** appears on the LCD display.









Replacing the Maintenance Tank

The maintenance tank stores ink that gets flushed from the system during the initial ink charge and manual and automatic print head cleaning. When the tank is almost full, the message **MAINTENANCE TANK NEAR FULL** appears on the LCD display. When the tank is completely full, the printer stops working and **MAINTENANCE TANK FULL** appears on the LCD.

You can check how much space remains in the maintenance tank by viewing its icon on the control panel, shown below. You can also check its status using the menus (see page 132), using your printer software (see page 134), or by printing a nozzle check sheet (see page 137).



The icons show the percentage of space remaining in the tank(s) as follows:

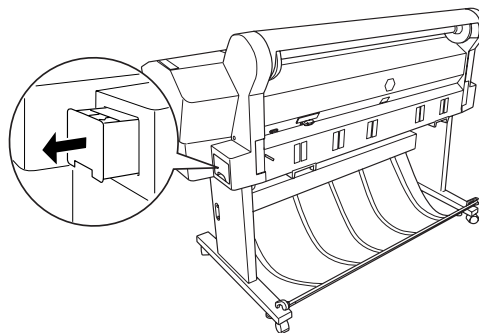
 100–81 %	 20% to nearly full
 80–61 %	 Tank nearly full
 60–41 %	 Tank full
 40–21 %	 Tank error or no maintenance tank

The Epson Stylus Pro 7880 has one maintenance tank (on the right side), and the Pro 9880 has two (one on either side). Replacement tanks are available from Epson (part number C12C890191). See page 12 for details.

The printer will not print if one of the maintenance tanks is full. On the Epson Stylus Pro 9880, the right tank is used more than the left. To maximize tank life, you can switch the tanks when the right tank reaches approximately 40% to 60% of capacity.

Follow these steps to replace the tank:

1. Make sure the printer is not printing or performing any other operations (READY or PAPER OUT should appear on the LCD display).
2. If you have the Epson Stylus Pro 9880, check the LCD display to determine which tank needs to be replaced (left or right).
3. Grasp the handle at the bottom of the tank (on the side of the printer) and gently pull out the maintenance tank.



Caution: Be careful not to spill ink from the maintenance tank when removing it. Hold it upright at all times and dispose of it carefully.

4. Place the used tank in the plastic bag included with the new tank.
5. Insert the new tank.

Caution: Be careful not to touch the gears inside the printer.

To avoid damaging the components as well as the case, never use alcohol or thinners to clean the printer.

Be careful not to get water on the printer mechanism or electronic components.

Don't use a hard or abrasive brush.

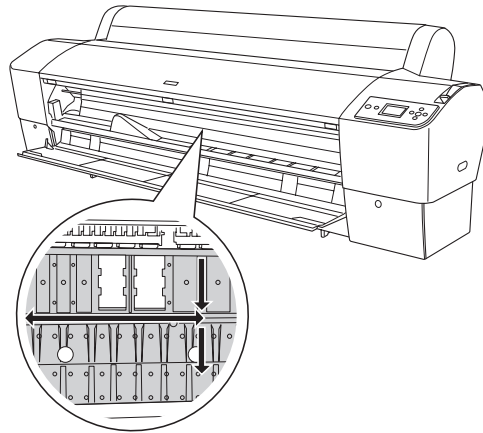
Don't spray the inside of the printer with lubricants; unsuitable oils can damage the mechanism. Contact Epson if you think the printer needs lubrication.

Do not touch the gray area, roller, or absorption pads inside the printer; otherwise your prints may be soiled.

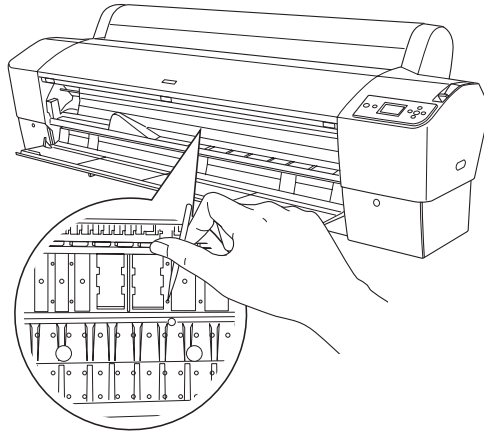
Cleaning the Printer

To keep your printer working at its best, clean it if it becomes soiled.

1. Make sure the printer is turned off and all its lights are off. Then unplug the power cord and disconnect the printer from your system.
2. Open the roll paper cover and remove the paper. Then use a soft brush to carefully clean any dust or dirt.
3. Open the front cover and use canned air or a soft lint-free cloth to carefully clean away any dust or dirt inside the printer.
4. Clean the area shown below in the direction of the arrows. If necessary, dampen the cloth, clean the inside of the printer, then dry it with a soft cloth.



5. If powdery dust has accumulated, use a toothpick or similar tool to remove it.



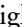
6. Remove the paper basket. Then clean away any dust or dirt around the leg assembly using a soft brush.
7. If the outer case is dirty, clean it with a soft, clean cloth dampened with mild detergent. Keep the ink cartridge compartments closed to prevent water from getting inside.
8. To wash the paper basket, remove the shafts, then machine wash with mild detergent and air dry.

Transporting or Storing the Printer

If you are moving the printer a short distance (for example, in the same building), you can roll it on its stand (see page 160). To ship the printer a longer distance, you should repack it using the original box and packing materials. Follow the instructions below to prepare the printer for shipment.

If you don't have the original packaging, you can purchase replacement packaging from Epson. See page 13 for more information.

Preparing the Printer for Shipment

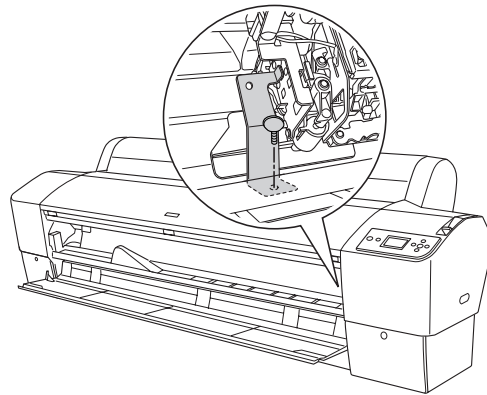
1. Turn off the printer and wait until the carriage moves to the home position (on the far right) and the  Power light goes off. Then unplug the printer.
2. Remove the following parts:
 - Power cord and interface cables
 - Paper basket
 - Roll paper spindle
 - All paper or other media
 - Optional auto take-up reel (if installed)
 - Optional manual cutter (if installed)
3. Raise the ink levers.

Note: It's a good idea to store partially used cartridges in separate, resealable plastic bags.

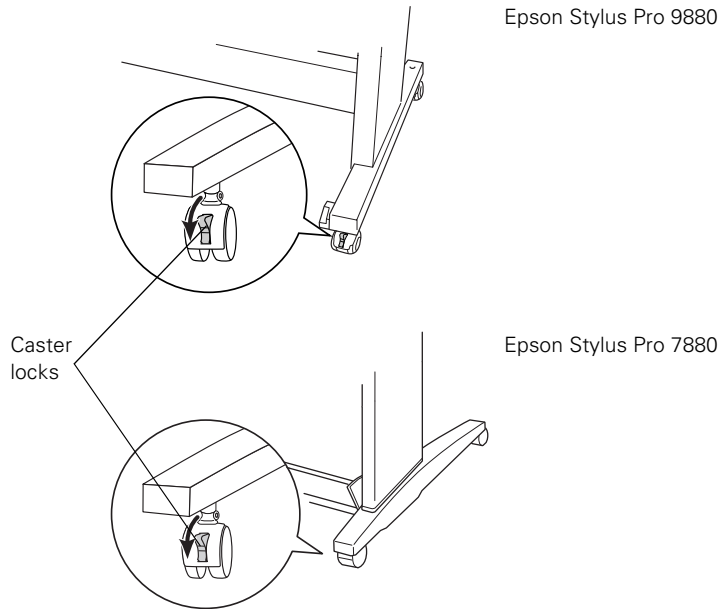
You can choose whether to remove the ink cartridges or leave them installed. However, you must keep the ink levers raised when transporting the printer to prevent ink from leaking.

4. Reinstall the carriage locking bracket and screw that were removed during setup, as shown below.

Tip: For more secure transportation, tape all doors and covers shut.



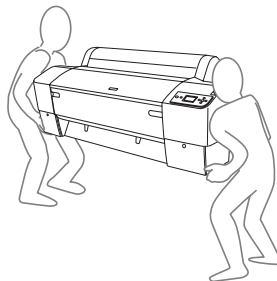
- Before you remove the printer from the stand, make sure the casters are locked.



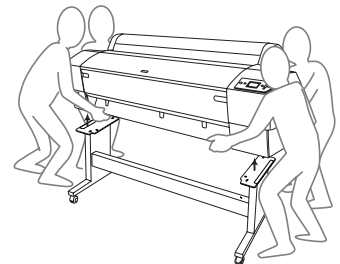
WARNING: The Epson Stylus Pro 7880 weighs about 108 lb (49 kg) and should be lifted by two people.

The Epson Stylus Pro 9880 weighs about 198 lb (90 kg) and should be lifted by four people.

- Remove the two wing nuts and lock washers securing the printer to the stand (underneath the printer). Keep them in a safe place.
- Lift the printer using the hand grips where provided. (See the stickers located near the rear hand grips for the correct holding position.)



Epson Stylus Pro 7880



Stylus Pro 9880

- Keep the printer level while moving it. See page 161 for information about setting up the printer after transporting it.

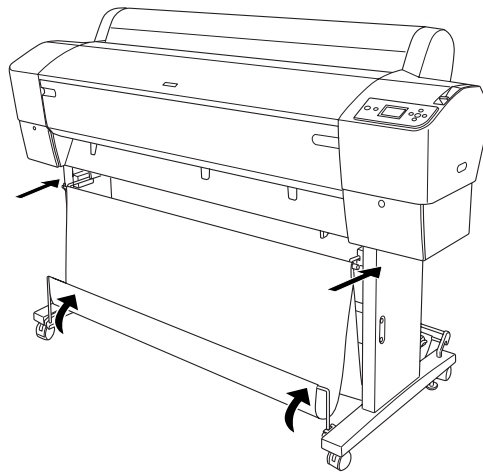
To ship the printer a longer distance, you should repack it using the original box and packing materials. If you don't have the original packaging, you can purchase replacement packaging from Epson. See page 13 for more information.

Caution: Do not roll the printer on angled or uneven surfaces.

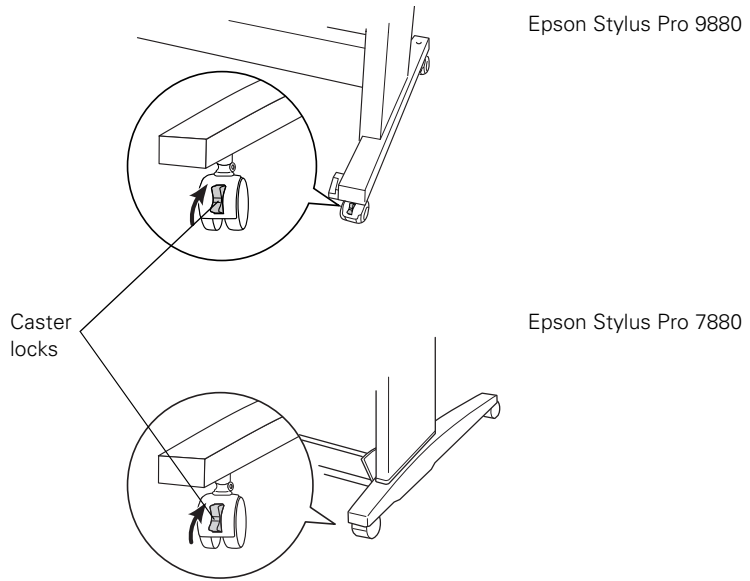
Moving the Printer on the Stand

When you need to move the printer a short distance, such as within the same building, you can roll the printer on its casters.

1. Make sure the printer is turned off and the carriage is in the home position (on the far right). If not, turn the printer back on, wait until the carriage moves to the home position, then turn off the printer.
2. Disconnect the power cord and interface cable.
3. Remove the roll paper spindle and close the roll paper cover. Make sure the front cover is closed.
4. Raise the ink levers.
5. Push in the metal rods supporting the paper basket, then roll up the paper basket so it doesn't drag on the ground.



6. Release the front casters.



7. Carefully roll the printer to its new location, then lock the casters.

Setting Up the Printer After Transportation

Setting up the printer after transporting it is almost identical to setting it up for the first time.

Keep in mind that the first time you start printing after moving the printer, the print head nozzles may be clogged—especially if the printer hasn't been turned on for a long time. You may need to run a cleaning cycle (page 135) and realign the print head (page 139) to ensure good print quality.

Chapter 7: Solving Problems

As you use your printer, you may occasionally experience a problem. You can diagnose the problem following the guidelines in this chapter or check the FAQs at www.proimaging.epson.com. Then try the most likely solutions until the problem is fixed.

This chapter provides instructions for the following:

- Diagnosing problems
- Checking error messages and lights
- Improving print quality
- Solving operational problems
- Solving miscellaneous printing problems
- Solving paper problems, including clearing paper jams
- Solving problems with the optional Auto Take-Up Reel
- Uninstalling and reinstalling the printer driver

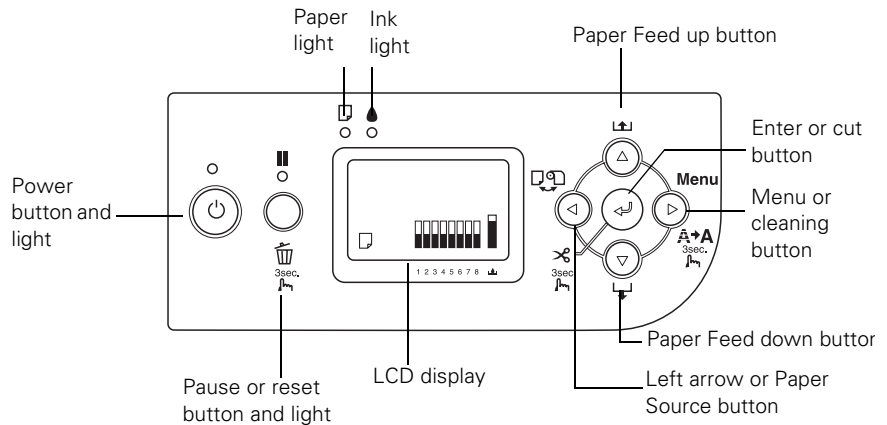
Diagnosing Problems

The printer includes a number of ways to help you diagnose problems:

- To identify the most common problems, check the messages and lights on the control panel. See pages 164 through 168 for more information.
- If you're using the Epson printer driver and Status Monitor utility, check your software for error messages. See page 134 for more information.
- To determine whether the problem is caused by the printer itself, print a status sheet from the control panel. See page 131 for instructions.
- Review the FAQs at www.proimaging.epson.com for possible solutions.
- If none of the suggested solutions in this chapter solve your problem, contact Epson as described under "Where To Get Help" on page 13.

Checking Error Messages and Lights

The control panel includes various lights and an LCD display to indicate the status of the printer:





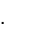
When your paper runs out, ink is low, or a problem occurs, a message appears on the LCD display, and the lights on the control panel come on or flash. The following table lists the messages in alphabetical order and includes an explanation and instructions for correcting the problem.

Message	Explanation	Response
BORDERLESS ERROR LOAD CORRECT SIZE PAPER	The borderless setting is selected and paper that doesn't support borderless printing is loaded.	Change the setting in the printer driver or load different paper.
CARRIAGE LOCKED RELEASE THE CARRIAGE LOCK	The print head is locked.	Remove the bracket securing the print head; see page 35.
CLEANING ERROR PRESS PAUSE BUTTON	Head cleaning did not clear the nozzles.	Run the head cleaning utility again. If the nozzles are still clogged, contact Epson.
CLEANING ERROR REMOVE THICK PAPER	Paper is too thick for head cleaning.	Release the paper lever to remove the paper. Head cleaning starts automatically. After cleaning, reload paper.
	Printer could not feed the printed page.	Remove the print.

Message	Explanation	Response
COMMAND ERROR CHECK DRIVER SETTINGS	You may be using the wrong printer driver. Damaged data was sent to the printer or the data has an incorrect command.	Press and hold the Pause button for 3 seconds to cancel the print job. Make sure you installed the correct driver for your printer.
	The driver's ink type configuration is not correct for the ink in the printer.	Make sure the ink configuration is correct (see page 148).
CONVERSION CRTG LIFE CONVERSION CRTG NEAR END OF SERVICE LIFE	The conversion cartridge will need to be replaced soon. (Remaining service life is displayed on the LCD.)	Press the Pause button to continue.
CONVERSION CRTG LIFE REPLACE CONVERSION CRTG WITH A NEW ONE	The conversion cartridge needs to be replaced.	Replace the conversion cartridge with a new one. Or, complete the replacement of black ink by pressing the Pause button.
COVER OPEN CLOSE COVER	Front cover is open.	Close the front cover.
F/W INSTALL ERROR UPDATE FAILED RESTART THE PRINTER	Firmware update failed.	Restart the printer, then update the firmware again; see page 42 for instructions.
INK CARTRIDGE INSTALL INK CARTRIDGE	An ink lever is raised, but no cartridge is installed.	Install the missing ink cartridge.
INK CARTRIDGE NON-GENUINE CARTRIDGE! MAY NOT PERFORM AT OPTIMUM. CONTINUE? <YES NO>	A non-genuine ink cartridge is installed.	Press the ▶ button to select NO and replace the ink cartridge with a genuine Epson ink cartridge; see page 141. Otherwise, press ◀ to select YES .
INK CARTRIDGE PLEASE USE GENUINE EPSON INK CARTRIDGES	A non-genuine ink cartridge is installed.	Replace the ink cartridge with a genuine Epson ink cartridge; see page 141.
INK CARTRIDGE REPLACE INK CARTRIDGE	Ink cartridge(s) are expended (printing stops).	Replace the ink cartridge(s) indicated on the LCD display; see page 141.

Message	Explanation	Response
INK CARTRIDGE DO YOU ACCEPT THIS? <ACCEPT DECLINE>	A non-Epson ink cartridge is installed.	Press the ► button to select DECLINE and replace the ink cartridge with a genuine Epson ink cartridge; see page 141. Pressing ◀ to select ACCEPT may cause damage not covered by your warranty.
INK CARTRIDGE ERROR BK INK CHANGE	The black ink cartridge needs to be changed.	Select YES to switch the black ink cartridge, or NO to continue using the installed black ink cartridge.
INK CARTRIDGE ERROR CHECK CARTRIDGE	You tried to install the wrong ink cartridge. The wrong black ink cartridge is selected (Matte or Photo).	If you are replacing ink cartridges, check the package and product code. Replace the ink cartridge with the correct Epson ink cartridge. Install the correct black ink cartridge, or press the ■ Pause button and change the ink setting; see page 145.
INK CARTRIDGE ERROR PLEASE INSTALL THE CORRECT CARTRIDGES	You tried to install an ink cartridge that cannot be used with this printer.	If you are replacing ink cartridges, check the package and product code. Replace the ink cartridge with a genuine Epson ink cartridge.
INK CARTRIDGE ERROR REPLACE CARTRIDGE	CSIC error has occurred.	Remove the ink cartridge and reinstall it. If the message remains, replace the cartridge with a new one.
INK LEVER LOWER THE LEFT (or RIGHT) INK LEVER	One of the ink levers is raised.	Pull the lever down to lock the ink cartridges.
INK LOW	Ink cartridge(s) are nearly expended (printing continues).	Make sure you have replacement cartridges available; see page 141. Print quality may decline when ink is low.
LEVER RELEASED LOAD PAPER	Paper is not loaded.	Load paper.
LEVER RELEASED LOWER THE PAPER SET LEVER	Paper lever is released.	Pull the lever all the way forward, to the secured position. Start printing again from the beginning for best results.
MAINTENANCE REQUEST	A printer part may need to be replaced soon.	Note the code number and contact Epson as described on page 13.
MAINT TANK NEARLY FULL REPLACE THE MAINTENANCE TANK	The maintenance tank is almost full.	Make sure you have a replacement maintenance tank. For the Pro 9880, note which tank is nearly full; see page 154.

Message	Explanation	Response
MAINT TANK FULL REPLACE THE MAINTENANCE TANK	The maintenance tank is full.	Replace the maintenance tank. For the Pro 9880, note which tank is full; see page 154.
MISMATCH ERROR MAKE SURE THAT THE INK CARTRIDGE AND DRIVER SETTINGS MATCH	The black ink cartridge option does not match what is selected in the driver	Stop printing, and then press and hold the Pause button for 3 seconds. Select the correct black ink cartridge option in the driver; see page 148. If you want to continue printing, press the Pause button.
	A non-Epson ink cartridge is installed.	Press and hold the Pause button for 3 seconds to cancel printing. If you want to continue printing, press the Pause button.
NO CARTRIDGE INSTALL INK CARTRIDGE	Ink cartridge(s) not installed.	Install ink cartridge(s); see page 141.
NO MAINTENANCE TANK INSTALL THE MAINTENANCE TANK	Maintenance tank is not installed.	Make sure the maintenance tank is fully inserted. For the Pro 9880, note which tank is missing; see page 154.
PAPER CUT ERROR REMOVE UNCUT PAPER	Roll paper was not cut correctly.	Release the paper lever and finish cutting the paper. Reload paper if necessary.
	The cutter may be blunt or incorrectly installed.	Reinstall or replace the cutter blade if necessary; see page 151.
PAPER EJECT ERROR REMOVE PAPER FROM PRINTER	Paper remains in the printer.	Release the paper lever and remove the paper.
PAPER ERROR LOAD PAPER PROPERLY	Printer cannot detect paper.	If you are using cut sheets, make sure the paper is flat. If you are using roll paper, make sure the roll is cut evenly. Release the paper lever and reload paper.
PAPER LOW	The paper roll is almost finished.	Replace the roll paper.
PAPER JAM REMOVE PAPER	Paper has jammed in the printer.	Release the paper lever and remove the jammed paper. Turn the printer off and then back on; see page 176 for more information.
PAPER OUT LOAD PAPER	Paper ran out.	Load paper.
PAPER SETTING ERROR LOAD CUT SHEET PAPER	The paper path is wrong.	Load cut sheet paper, as described on page 63. Press the ◀ Paper Source button until the  Sheet icon appears on the LCD display.

Message	Explanation	Response
PAPER SETTING ERROR LOAD ROLL PAPER	Roll paper is not loaded correctly.	Load roll paper as described on page 58. Press the ◀ Paper Source button until the  or  roll icon appears on the LCD display.
PAPER SKEW LOAD PAPER PROPERLY	Paper is not loaded straight.	Release the lever and load the paper correctly. Then return the lever to the Secured position.
POWER CLEANING YOU MUST MOVE INK LEVERS WHEN CLEANING	Power cleaning is required.	Select YES and follow the instructions to run the power cleaning cycle.
PRINTER ERROR RESTART THE PRINTER	You tried to print while an error condition was present.	Press the ⏻ Power button to turn off the printer. Unplug the printer and wait 30 seconds. Then plug it in and turn it back on.
SENSOR ERROR LOAD DIFFERENT PAPER	The loaded paper does not match the selected paper type (roll or sheet).	Press the ◀ Paper Source button to select the correct paper type (roll or sheet).
SERVICE CALL ERROR	The print head is locked.	Remove the bracket securing the print head; see page 35.
	An error has occurred.	Note the error number, then turn the printer off. Unplug the printer and wait 30 seconds. Then plug it in and turn it back on. If the message remains, contact Epson as described on page 13.
UNABLE TO PRINT MAKE SURE PAPER IS LOADED	An error may be occurring when you try to print patterns such as a nozzle check.	Exit the Test Print menu, and check for low ink or incorrectly loaded paper.

Improving Print Quality

You can often improve print quality by doing the following:

- Run a nozzle check and cleaning cycle. See page 135 for instructions.
- Align the print head. See page 139 for instructions.
- When you send a print job, make sure your print options are set correctly. For more information, see page 77 (Macintosh) or page 95 (Windows).

If none of these suggestions help, try the solutions in the following table.

Problem	Solution
Your print has horizontal banding.	<ul style="list-style-type: none"> ▶ Check the ink indicators and light to see if you are low on ink. Replace ink cartridges if necessary, as described on page 141. ▶ Run a nozzle check and cleaning cycle. See page 135 for instructions. ▶ Turn off the High Speed setting. ▶ Make sure the Media Type setting in the printer software is correct. ▶ If you're using cut sheet media, make sure the printable side is face up. ▶ Choose a higher resolution, such as SuperPhoto - 2880x1440dpi. ▶ If you're using a third-party RIP and non-Epson media, see if the RIP provides a method for adjusting the paper feed. <hr/> <p>Try adjusting your paper configuration settings (page 87 for Mac OS X or page 113 for Windows). Check these settings:</p> <ul style="list-style-type: none"> ▶ Make sure the Paper Thickness setting is correct for your paper. ▶ Use the Paper Feed Adjustment to tune out banding. Reduce the value for white lines, and increase it for overlapping dark lines. ▶ If you've created a custom paper configuration, be sure to return the setting to standard (STD) when you're done using it. See page 74.
Your print has vertical banding.	<ul style="list-style-type: none"> ▶ Turn off the High Speed setting. ▶ Align the print head; see page 139.
Your print is grainy, or has misregistration or ghosting.	<ul style="list-style-type: none"> ▶ Check the ink indicators and light to see if you are low on ink. Replace ink cartridges if necessary, as described on page 141. ▶ Run a nozzle check and cleaning cycle. See page 135 for instructions. ▶ Align the print head, as described on page 139. ▶ Make sure the Media Type setting in the printer software is correct. ▶ If you're using cut sheet media, make sure the printable side is face up. ▶ Choose a higher resolution, such as 2880 dpi. ▶ Turn off High Speed in your Advanced settings. <hr/> <p>You may need to adjust your paper configuration settings (page 87 for Mac OS X or page 113 for Windows). Check these settings:</p> <ul style="list-style-type: none"> ▶ Make sure Paper Thickness setting is correct for your paper. ▶ If you've created a custom paper configuration, be sure to return the setting to standard (STD) when you're done using it. See page 74.

Problem	Solution
Colors are incorrect or missing.	<ul style="list-style-type: none"> ▶ Make sure the Media Type setting in the printer software is correct. ▶ If you are using the color management features in Photoshop or another application, you must turn off color management in the printer driver. See page 86 (Mac OS X) or page 101 (Windows). ▶ Adjust the Color Density setting in the Paper Configuration utility. ▶ If you're using a third-party RIP or non-Epson media, custom color profiles will give you the best color reproduction. ▶ If you're using cut sheet media, make sure the printable side is face up. ▶ Run a nozzle check and cleaning cycle; see page 135. ▶ Check the expiration date printed on each of the ink cartridges. If the cartridge is too old, replace it as described on page 141. ▶ Check the ink indicators and light, and replace ink cartridges if your ink supply is low, as described on page 141. ▶ Make sure color settings in your application or printer software are correct.
Your print has gaps or appears faint.	<ul style="list-style-type: none"> ▶ Check the expiration date printed on each of the ink cartridges. If the cartridge is too old, replace it as described on page 141. ▶ Make sure the Media Type setting in the printer software is correct. ▶ Run a nozzle check and cleaning cycle (see page 135). ▶ Check the ink indicators and light and replace ink cartridges if your ink supply is low, as described on page 141. ▶ The paper thickness setting is not correct for your paper. Use your printer software (page 87 for Mac OS X or page 113 for Windows) to choose the correct setting. When you're done printing with a custom paper configuration, be sure to return the setting to standard (STD). ▶ The PLATEN GAP setting is too wide. Use the menu system to change the setting to STANDARD, or to NARROW if printing on very thin paper. See page 68 for instructions.

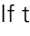
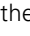

Problem	Solution
Your print appears blurry or smeared.	<ul style="list-style-type: none"> ▶ Make sure the Media Type setting in the printer software is correct. ▶ If you're printing on non-Epson media, you may need to adjust the paper thickness setting, drying time, or color density. Use your printer software (page 87 for Mac OS X or page 113 for Windows) to choose the correct setting. When you're done printing with a custom paper configuration, be sure to return the setting to standard (STD). ▶ Your paper doesn't meet the required specifications or wasn't stored in a dry, humidity-free environment. Load new paper. ▶ If you're using cut sheet media, make sure the printable side is face up. ▶ Ink has leaked into the paper path. Wipe the paper path area of the printer with a soft, clean cloth. See page 156 for cleaning instructions. ▶ Turn off the High Speed setting. ▶ The PLATEN GAP setting is too narrow. Use the control panel to change the setting to WIDE or WIDER. See page 68 for instructions. ▶ Run a nozzle check and cleaning cycle (see page 135). ▶ You may need to uninstall and reinstall the printer driver (see page 178).
The bottom edge of your print is smeared.	<ul style="list-style-type: none"> ▶ The paper is curled toward the printable side. Flatten the paper or curl it toward the other side. ▶ Make sure the Media Type setting in your printer software is correct. ▶ If you're printing on non-Epson media, you may need to adjust the paper thickness setting or drying time. Use your printer software (page 87 for Mac OS X or page 113 for Windows) to choose the correct setting. When you're done printing with a custom paper configuration, be sure to return the setting to standard (STD). ▶ If printing on thick paper, the PLATEN GAP setting may be incorrect. Use the control panel to change the setting to WIDE or WIDER; see page 68.

Solving Operational Problems

If you can't turn the printer on, if it stops printing unexpectedly, or if nothing prints, check the following:


- Paper is loaded correctly.
- The printer is plugged securely into a working electrical outlet that's not controlled by a switch or timer.
- The interface cable is securely connected to the printer and your system.
- The voltage supplied by the electrical outlet matches the voltage on the printer's rating label. If not, turn off the power and unplug the power cord immediately. Contact Epson for assistance; see page 13 for details.

If none of these suggestions help, try the solutions below.

Problem	Solution
The printer stops printing unexpectedly.	<ul style="list-style-type: none"> ▶ If the  Pause light is flashing, the printer is performing a maintenance procedure or waiting for ink to dry. Check the display message and lights on the control panel. Wait until the  Pause light stops flashing. ▶ Check the display message and lights on the control panel to see if an error has occurred. Follow the instructions for the messages beginning on page 164.
The printer sounds as if it's printing, but nothing prints.	<ul style="list-style-type: none"> ▶ Follow the instructions beginning on page 135 to clean the print head. ▶ Communication between the computer and printer may have been momentarily interrupted. Try restarting the computer and printing again.
Nothing prints.	<ul style="list-style-type: none"> ▶ Turn off the printer and computer. Make sure the interface cable is securely plugged in. Then restart the printer and computer. ▶ Make sure the interface cable meets the requirements; see page 13 or 14. ▶ The printer port setting doesn't match the printer connection port (Windows). <p>Windows Vista: Click  > Control Panel > Hardware and Sound > Printers. Right-click the icon for your printer, then select Properties. Click the Ports tab and make sure your printer port is selected</p> <p>Windows XP: Click Start > Control Panel > Printers and Other Hardware > Printers and Faxes. Right-click the icon for your printer, then select Properties. Click the Ports tab and make sure your printer port is selected.</p> ▶ Download and install the latest driver for Macintosh or Windows from the Epson website at www.proimaging.epson.com.

Solving Miscellaneous Printing Problems

If your printouts are not what you expected, try the suggestions below:

Problem	Solution
Your print has incorrect or garbled characters.	<ul style="list-style-type: none"> ▶ Make sure your software is installed correctly and the printer is selected. ▶ Clear any stalled print jobs from the Printer Setup Utility (Mac OS X). ▶ Turn off the printer and computer. Make sure the interface cable is securely plugged in at both ends.
Your print has incorrect margins.	<ul style="list-style-type: none"> ▶ Check the page size or paper size settings in your application. Make sure they are within the printer's printable area. ▶ Make sure the Paper Size and Borderless settings in your printer software are correct for the paper you're using. ▶ Paper is loaded incorrectly. Follow the instructions beginning on page 45 to reload the paper. ▶ The ROLL PAPER MARGIN setting on the PRINTER SETUP menu is incorrect. See page 206 for more information.
Your image is inverted.	<ul style="list-style-type: none"> ▶ Turn off the Flip Horizontal or Mirror Image setting in your printer software. See page 84 (Mac OS X) or page 109 (Windows) for instructions.
Blank paper is printed.	<ul style="list-style-type: none"> ▶ Make sure your software is installed correctly and the printer is selected. ▶ Make sure the Paper Size setting in your printer software is correct for the paper you're using. ▶ Make sure the Paper Source setting in your printer software is correct.
A ruled line on your print appears to shift.	<ul style="list-style-type: none"> ▶ Align the print head as described on page 139. ▶ Run a nozzle check and cleaning cycle; see page 135.
Color images print in black only.	<ul style="list-style-type: none"> ▶ Make sure the Color setting is correct in your printer software.
The printer continues to feed paper after you have cancelled a job.	<ul style="list-style-type: none"> ▶ Press the Pause button on the printer to clear any print job data in the printer's buffer. Then press and hold the Pause button to reset the printer. ▶ Make sure the paper source is set correctly.
Roll paper cannot be cut.	<ul style="list-style-type: none"> ▶ The paper cutter blade may be dull. Follow the instructions on page 151 to replace the blade. ▶ The paper may be too thick to cut with the built-in cutter. Cut the paper with scissors. See page 56 for a list of media that cannot be used with the cutter. ▶ Make sure  appears on the LCD display. If not, press the Paper Source button to select this setting. Also check the Auto Cut settings in your printer software.

Problem	Solution
Printing is too slow.	<ul style="list-style-type: none"> ▶ Turn on the High Speed setting. ▶ Choose a lower resolution in your printer software for faster printing. ▶ Clear space on your hard drive or run a defragmentation utility. ▶ Don't run too many applications at the same time. ▶ Turn off virtual memory. ▶ Add RAM to your system. ▶ Consider upgrading your system to support USB 2.0.

Solving Paper Problems

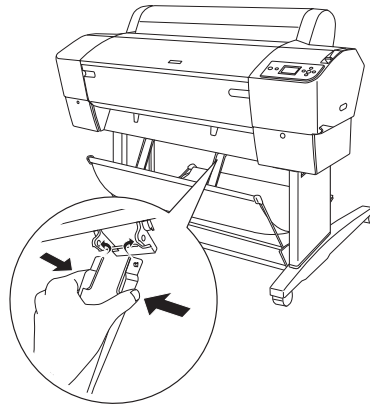
If paper feed or paper jam problems occur frequently, try one or more of the following solutions:

- For roll paper, try adjusting the Paper Suction setting. See page 74 for more information. You can also adjust this setting through your printer driver.
- For heavy or thick media, follow the instructions on page 65 to load the media correctly.
- Make sure the paper is not folded, wrinkled, or damp.
- Make sure the printer's environment falls within the required temperature and humidity range.
- Make sure the paper is not too thick or too thin. See page 45, page 182, and page 184 for paper specifications.
- Make sure no foreign objects are inside the paper path.
- Make sure the printer isn't located in a brightly lit area. The paper sensors may not operate correctly.
- Make sure the **Media Type** and **Paper Source** settings in the printer software are correct.
- Make sure the **PLATEN GAP** setting is correct for the paper or media you're printing on. See page 68 for more information.
- If you're not using Epson media, use a paper configuration to adjust for the paper's thickness and drying time; see page 74.

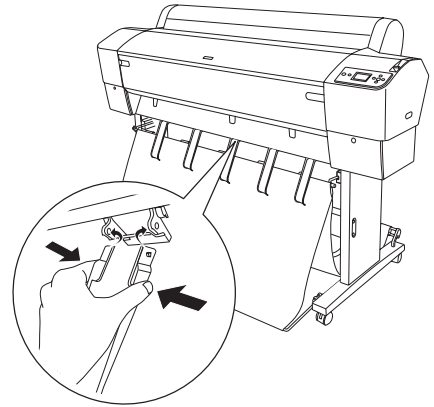
Fixing Paper Eject Problems

If the paper is curled too tightly to eject properly, you can attach the paper guides to the printer. There are two paper guides for the Epson Stylus Pro 7880 and five for the Pro 9880.

Attach the guides to the bottom of the printer as shown:



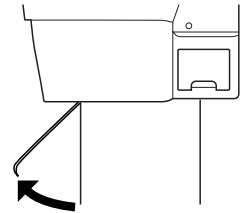
Epson Stylus Pro 7880



Epson Stylus Pro 9880

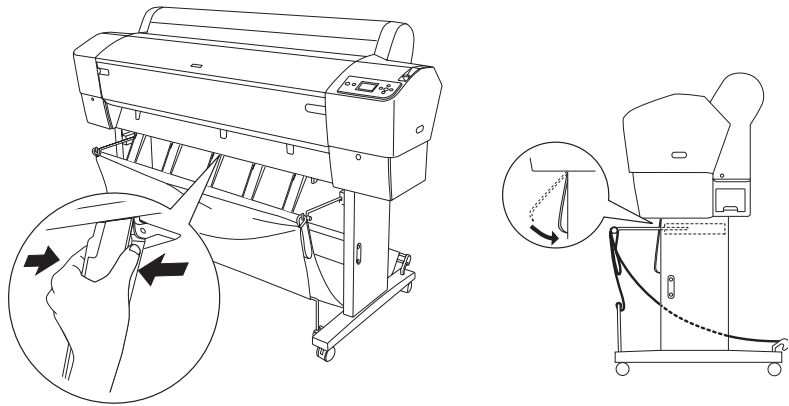
Do one of the following:

- If you are feeding paper in front of the printer, move the guides to the forward position.



Note: If banding appears on your print, leave the paper guides in the forward position.


- If you are feeding paper backward (under the printer), gently squeeze the paper guides and push them to the backward position, as shown below:

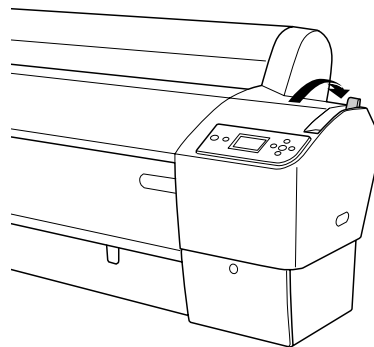


Clearing Paper Jams

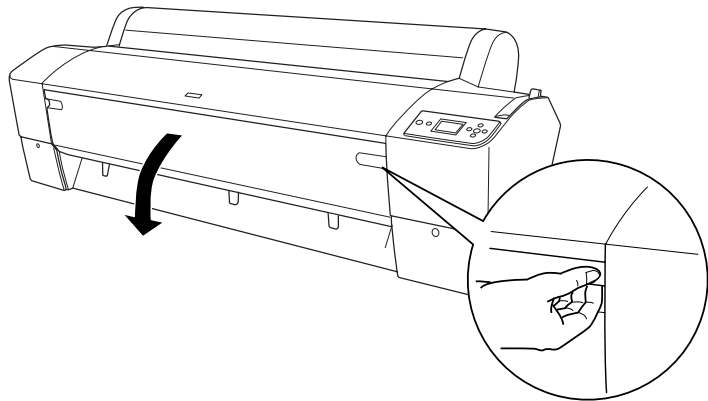
When roll paper gets jammed in the printer, printing stops and you see a **PAPER JAM** message on the LCD display. Follow these steps to clear a paper jam:

1. Cut the paper at the paper insertion slot.
2. Release the paper lever.

Caution: To avoid damaging the printer, never move the paper lever while the  Power light is flashing.

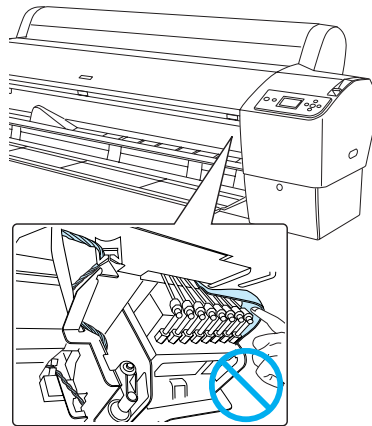




3. Open the front cover if necessary.



4. Carefully pull down the jammed paper.


Caution: Do not touch the area shown below or you may damage the printer.



5. Close the front cover, if necessary. Press the  Power button to turn the printer off and then back on.
6. Make sure the  Paper light is on and the following message appears on the LCD display: PAPER OUT. LOAD PAPER. Then reload your paper.

Solving Problems With the Optional Auto Take-Up Reel

If you have problems using the optional Auto Take-Up Reel, try these solutions:

- Make sure you turned the printer off and then on again after installing the Auto Take-Up Reel, and that the cable is securely connected to both the printer and Auto Take-Up Reel.
- Make sure there is enough slack in the roll paper as it feeds paper to ensure that it interrupts the sensor so the Auto Take-Up Reel can turn. See page 193 for details.
- Make sure the **Auto** switch is set for the direction in which you loaded the paper to be taken up. See page 198 for details.
- Make sure you pressed the printer's ◀ Paper Source button to select  (Auto Cut Off).
- If the **Sensor** light flashes slowly when you are not printing, the sensor may be misaligned or there may be an obstacle in the sensor's beam. Make sure nothing is impeding the sensor's beam and adjust the sensor, if necessary. See page 199 for instructions.
- If the **Sensor** light is flashing rapidly, the Auto Take-Up Reel is locked. Turn the printer off, then turn it on again to unlock it.
- If the **Sensor** light is off, the Auto Take-Up Reel may be turned off or the sensor cables may be disconnected. See page 199 to locate the sensors and check to make sure the cables are connected securely.

Uninstalling and Reinstalling the Printer Driver

If you need to uninstall and then reinstall the printer driver software for any reason, follow the instructions in the appropriate section below.

Macintosh


1. Open the **Applications** folder, then the **Utilities** folder.
2. Double-click **Printer Setup Utility**, select your printer, and then click **Delete**.

Tip: Check the Epson Pro Imaging website at www.proimaging.epson.com for updated drivers and utilities that may become available.

3. If you want to reinstall your printer software, restart your Macintosh. Then follow the instructions in the *Printer Guide* to install the software.

Windows

1. Do one of the following

Windows Vista: Click  > Control Panel > Uninstall a program. Select EPSON Printer Software in the program list.

Windows XP: Click Start > Control Panel > Add or Remove Programs. Select EPSON Printer Software in the program list and click Change/Remove.

2. Select your printer icon and click OK. Follow the on-screen instructions to uninstall your software.
3. If you want to reinstall your printer software, restart your computer. Then follow the instructions in the *Printer Guide* to install the software.

Appendix A: Specifications

Environmental

	Operation	Storage
Temperature	50 to 95 °F (10 to 35 °C) Print quality guarantee: 59 to 77°F (15 to 25 °C)	-4 to 104 °F (-20 to 40 °C) (1 month at 104 °F)
Humidity (without condensation)	20 to 80% RH Print quality guarantee: 40 to 60%	20 to 85% RH (stored in shipping container)

Electrical

Specification	Description
Input voltage range	90 V to 264 V
Rated frequency range	50 to 60 Hz
Input frequency range	49 to 61 Hz
Rated current	1.0 A at 120 V 0.5 A at 220 V
Power consumption	Epson Stylus Pro 7880: Approx. 50 W 6 W or less in sleep mode 1 W or less in power off mode Epson Stylus Pro 9880: Approx. 58 W 6 W or less in standby mode 1 W or less in power off mode

Check the label on the back of your printer for voltage information.

Dimensions and Weight

Specification	Epson Stylus Pro 7880	Epson Stylus Pro 9880
Height	22.4 inches (560 mm) (without stand)	47.84 inches (1196 mm)
Width	47.12 inches (1178 mm)	68.08 inches (1702 mm)
Depth	20.04 inches (501mm)	27.12 inches (678 mm)
Weight (without consumables)	108 lb (49 kg) printer 23.1 lb (10.5 kg) stand	198 lb (90 kg) printer 23.1 lb (10.5 kg) stand

Printer Interfaces

- USB (1.1 and 2.0 compatible)
- Ethernet 10/100 BaseT

Safety Approvals

Safety standards	UL 60950 CSA 22.2 No. 60950
EMC	FCC part 15 subpart B, class B CAN/CSA-CEI/IEC CISPR 22 Class B

Media

Roll Paper

Maximum roll width	Epson Stylus Pro 7880: 24 inches (610 mm) Epson Stylus Pro 9880: 44 inches (1118 mm)
Maximum roll length	Up to 150 feet for 2-inch cored media Up to 673 feet for 3-inch cored media
Weight range	17 to 24 lb (64 to 90 g/sm)
Paper thickness	0.003 to 0.004 inches (0.08 to 0.11 mm)
Roll paper compatibility	Handles both 2- and 3-inch cored media
Maximum roll paper diameter	2-inch core: 4 inches (101.6 mm) 3-inch core: 6 inches (152.4 mm)

Epson roll paper information and ICC profiles

Paper name	Thickness	Borderless printing recommended	Spindle size	ICC profile*
Premium Glossy Photo Paper (250)	0.0079 in. (0.2 mm)	Yes	2 inch	Pro9880_7880_PGPP.icc
Doubleweight Matte Paper				Pro9880_7880_DWMP_PK.icc Pro9880_7880_DWMP_MK.icc
Proofing Paper Commercial		No		Pro9880_7880_Proof_Com.icc
Premium Luster Photo Paper (260)	0.0118 in. (0.3 mm)	Yes	3 inch	Pro9880_7880_PLPP260.icc
Premium Semimatte Photo Paper (260)				Pro9880_7880_PSmPP260.icc
Enhanced Matte Paper		No		Pro9880_7880_EMP_PK.icc Pro9880_7880_EMP_MK.icc
Singleweight Matte Paper	0.0039 in. (0.1 mm)		2 inch	Pro9880_7880_SWMP_PK.icc Pro9880_7880_SWMP_MK.icc
Canvas	0.0197 in. (0.5 mm)			Pro9880_7880_Canvas_PK.icc Pro9880_7880_Canvas_MK.icc
Textured Fine Art Paper	0.0157 in. (0.4 mm)		3 inch High Tension	Pro9880_7880_TFAP_PK.icc Pro9880_7880_TFAP_MK.icc
UltraSmooth Fine Art Paper	0.0118 in. (0.3 mm)			Pro9880_7880_USFAP_PK.icc Pro9880_7880_USFAP_MK.icc
PremierArt Water Resistant Canvas for Epson	—	—	—	Pro9880_7880_WCRW_PK.icc Pro9880_7880_WCRW_MK.icc
Piezo Pro Matte Canvas				
Somerset Velvet				Pro9880_7880_EMPB_PK.icc Pro9880_7880_EMPB_MK.icc

* Profiles with PK designators are for use with the Photo Black ink cartridge; those with the MK designator are for use with the Matte Black cartridge.

Note: Since the quality of any particular brand or type of paper may be changed by the manufacturer at any time, Epson cannot attest to the quality of any non-Epson brand or type of paper. Always test samples of paper stock before purchasing large quantities or printing large jobs.

Cut Sheets

Weight range

17 lb (64 g/m²) bond up to posterboard

Epson Cut Sheet Paper Sizes

Size group	Size name	Measurements	
A Series	A4	8.3 × 11.7 inches (210 × 297 mm)	
	A3	11.7 × 16.5 inches (297 × 420 mm)	
	Super A3/B	13 × 19 inches (329 × 483 mm)	
	A2	16.5 × 23.4 inches (420 × 594 mm)	
	A1	23.4 × 33.1 inches (594 × 841 mm)	
	Super A1	24 × 36 inches (610 × 910 mm)	
	A0*	33.1 × 44 inches (841 × 1189 mm)	
	Super A0*	36 × 50.9 inches (914 × 1292 mm)	
	US-ANSI	Letter	8.5 × 11 inches (216 × 279 mm)
		US B	11 × 17 inches (279 × 430 mm)
US C		17 × 22 inches (430 × 559 mm)	
US D		22 × 34 inches (559 × 864 mm)	
US E*		34 × 44 inches (864 × 1120 mm)	

Size group	Size name	Measurements
US-ARCH	ARCH A	9 × 12 inches (229 × 305 mm)
	ARCH B	12 × 18 inches (305 × 457 mm)
	ARCH C	18 × 24 inches (457 × 610 mm)
	ARCH D	24 × 36 inches (610 × 910 mm)
	ARCH E*	36 × 48 inches (910 × 1219 mm)
B Series	B5	7.2 × 10.1 inches (182 × 257 mm)
	B4	10.1 × 14.2 inches (257 × 364 mm)
	B3	14.2 × 20.3 inches (364 × 515 mm)
	B2	20.3 × 28.7 inches (515 × 728 mm)
	B1*	28.7 × 40.5 inches (728 × 1030 mm)
	B1 Landscape*	40.5 × 28.7 inches (1030 × 728 mm)
	B0	40.5 × 57.3 inches (1030 × 1456 mm)
	Super B0*	44 × 62.2 inches (1118 × 1580 mm)
Photo Series	—	8 × 10 inches (203 × 254 mm)
	—	10 × 12 inches (254 × 305 mm)
	—	11 × 14 inches (279 × 356 mm)
	—	12 × 12 inches (305 × 305 mm)
	—	16 × 20 inches (406 × 508 mm)

Size group	Size name	Measurements
Others	—	24 × 30 inches (610 × 762 mm)
	—	30 × 40 inches* (762 × 1016 mm)
	—	36 × 44 inches* (914 × 1118 mm)
	—	11.8 × 15.7 inches (30 × 40 cm)
	—	15.7 × 23.6 inches (40 × 60 cm)
	—	23.6 × 35.4 inches (60 × 90 cm)

* Epson Stylus Pro 9880 only

Note: Borderless printing on these papers is recommended on the right and left sides only.

Epson cut sheet paper information and ICC profiles

Paper name	Thickness	ICC profile*
Premium Photo Paper Semi-gloss	0.0118 in. (0.3 mm)	Pro9880_7880_PSPP.icc
Ultra Premium Photo Paper Luster		Pro9880_7880_PLPP.icc
Ultra Premium Presentation Paper Matte		Pro9880_7880_EMP_PK.icc Pro9880_7880_EMP_MK.icc
Watercolor Paper Radiant White		Pro9880_7880_WCRW_PK.icc Pro9880_7880_WCRW_MK.icc
Proofing Paper Commercial	0.0079 in. (0.2 mm)	Pro9880_7880_Proof_Com.icc
Singleweight Matte Paper	0.0039 in. (0.1 mm)	Pro9880_7880_SWMP_PK.icc Pro9880_7880_SWMP_MK.icc
Presentation Paper Matte		Pro9880_7880_PQIJP_PK.icc Pro9880_7880_PQIJP_MK.icc
UltraSmooth Fine Art Paper	0.0197 in. (0.5 mm)	Pro9880_7880_USFAP_PK.icc Pro9880_7880_USFAP_MK.icc
Velvet Fine Art Paper		Pro9880_7880_VFAP_PK.icc Pro9880_7880_VFAP_MK.icc
Textured Fine Art Paper	0.0276 in. (0.7 mm)	Pro9880_7880_TFAP_PK.icc Pro9880_7880_TFAP_MK.icc
Enhanced Matte Posterboard	0.0512 (1.3 mm)	Pro9880_7880_EMPB_PK.icc Pro9880_7880_EMPB_MK.icc

* Profiles with PK designators are for use with the Photo Black ink cartridge; those with the MK designator are for use with the Matte Black cartridge.

Printable Area

Default roll paper margins are 0.59 inch (15 mm) top and bottom, and 0.12 inch (3 mm) right and left. Using the menu system, you can set all the margins to 15 mm or 3 mm, or set the top margin to 35 mm. See page 206 for details.

The borderless printing feature allows edge-to-edge printing on some media.

Note: We recommend that you use genuine Epson cartridges and do not refill them. The use of other products may affect your print quality and could result in printer damage.

Yields vary considerably based on images printed, print settings, paper type, frequency of use, and temperature. For print quality, a small amount of ink remains in the cartridge after the “replace cartridge” indicator comes on. The printer ships with full cartridges and part of the ink from this first set of cartridges is used for priming the printer.

For best printing results, use up a cartridge within six months of opening the package.

Ink Cartridges

Cartridge life	2 years from production date if unopened; within 6 months after opening package
Temperature (storage)	−4 to 104 °F (−20 to 40 °C); 1 month at 104 °F (40 °C); installed or uninstalled
Capacity:	110 or 220 ml
Weight	110 ml: approximately 8.82 oz (250 g) 220 ml: approximately 13.05 oz (370 g)

Appendix B: Installing and Using Optional Equipment

If you print on roll paper or other media that is too thick to be cut by the built-in cutter, you can still cut it using the optional Manual Media Cutting System. The following media (and other similar materials) may not work with the built-in cutter:

- Fine art paper (including Epson Textured and UltraSmooth Fine Art Paper)
- PremierArt Water Resistant Canvas for Epson
- Vinyl
- Matte board
- Backlight film
- Heavyweight polyester banner media
- DuPont™ Semigloss Proofing Paper

If you want to print multiple images on roll paper and have the printouts rolled up onto another spindle automatically, you can use the optional Auto Take-Up Reel.

See the instructions in these sections and the manuals that came with the optional equipment:

- Installing the optional Manual Media Cutting System
- Using the optional Auto Take-Up Reel

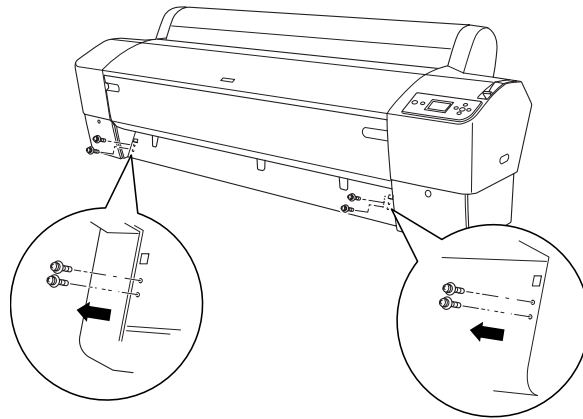
Installing the Manual Media Cutting System

Follow these steps to install the Manual Media Cutting System on your printer.

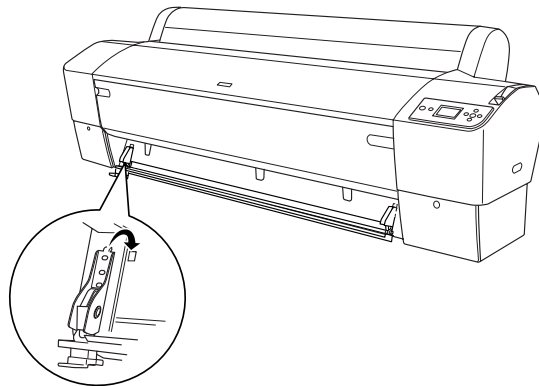
1. Make sure the printer is turned off.
2. Using a screwdriver, remove the four silver screws securing the platen.

Note: The manual cutter comes with either two or three holes on each side. The illustrations in this section show the cutter with three holes, but the instructions are the same for the other version.

Do not loosen the black screws that are near the silver screws in this step.

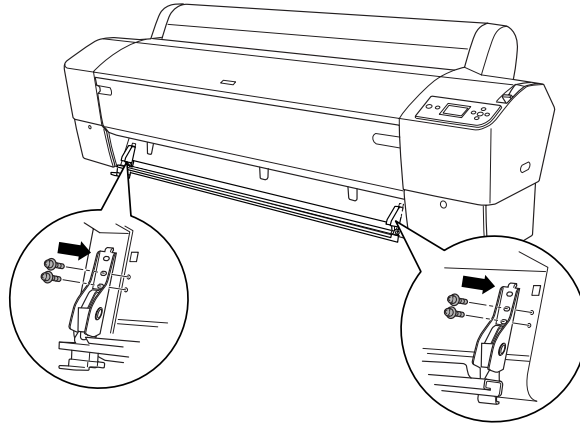


3. Hook the left side of the manual cutter onto the square hole on the printer as shown below.



4. Hook the other side of the manual cutter onto the right square hole on the printer.

- Secure the manual cutter with the four screws you removed in step 2.
If the cutter has three holes on each side, use the second and third holes from the top.
If the cutter has two holes on each side, use the lower hole on each side.
Be sure to keep the other two screws.



- When you are not using the cutter blade, slide it all the way to the left so it will not damage your printouts.
- See the manual that came with the Manual Media Cutting System for instructions on using the cutter.

Removing the Manual Media Cutting System

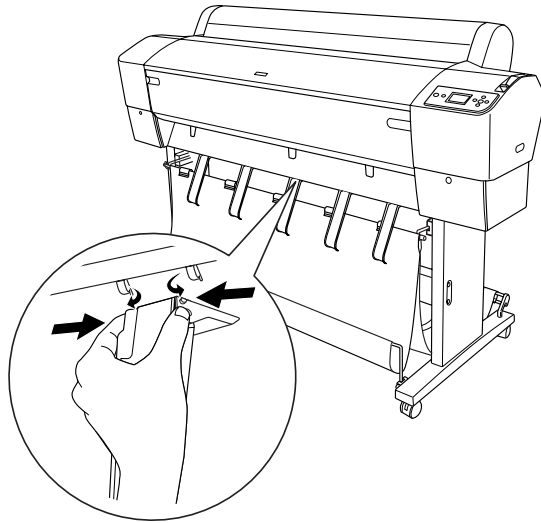
Be sure to remove the manual cutter when you transport the printer.

- Remove the screws securing the cutter to the printer.
- Remove the cutter from the printer.
- Replace the screws on the printer so you do not lose them.

Using the Auto Take-Up Reel

To install the Auto Take-Up Reel, follow the instructions in the manual that came with it.

To use the paper guides packaged with the Auto Take-Up Reel, first remove the paper guides and holders that came with the printer, if you installed them. Then attach the paper guides packaged with the Auto Take-Up Reel.



The table below describes the status of the Auto Take-Up Reel as indicated by the Sensor light.

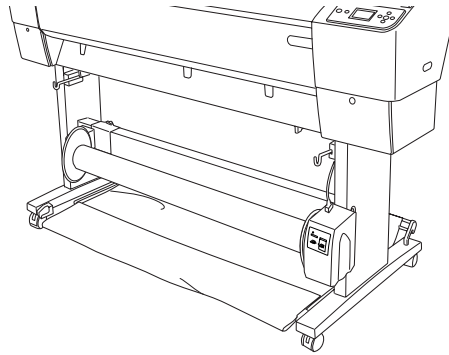
Sensor light status	Description
On	The Auto Take-Up Reel is ready to take in your printout.
Flashing	The Auto Take-Up Reel sensor is not aligned; see page 199 to adjust the sensor.
Flashing rapidly	The Auto Take-Up Reel has an error and stopped working; check the installation and see page 199 for additional solutions.
Off	The Auto Take-Up Reel is turned off.

Loading Roll Paper Onto the Take-Up Reel

Before you load roll paper onto the take-up reel core, check the following:


Warning: Make sure the Auto Take-Up Reel is installed properly and is turned off before loading paper. If it is installed incorrectly or operates unexpectedly, bodily injury may occur.

- Turn off the Auto Take-Up Reel to avoid injury.
- Make sure that the leading edge of the roll paper is straight.
- Remove the center shaft from the upper basket hooks and the lower shafts from the holes on the bottom of the base, then place the paper basket under the printer.

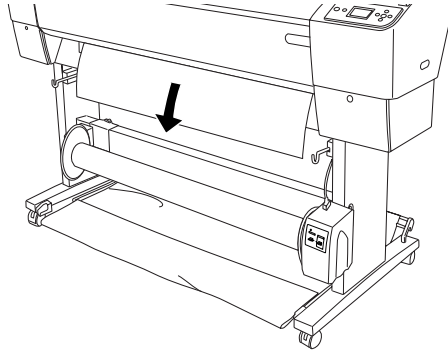


Taking-Up Paper Forward

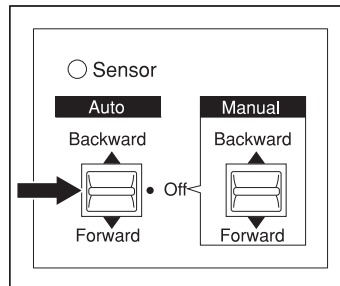
When you want paper wound onto the take-up reel with the print on the outside, set the take-up reel to wind paper forward, as described below.

1. Attach the three paper guides that came with the Auto Take-Up Reel, making sure to space them evenly.
2. Make sure that the roll paper is loaded in the printer properly. For instructions, see page 55.
3. Press the ◀ button to select  (Auto Cut Off).

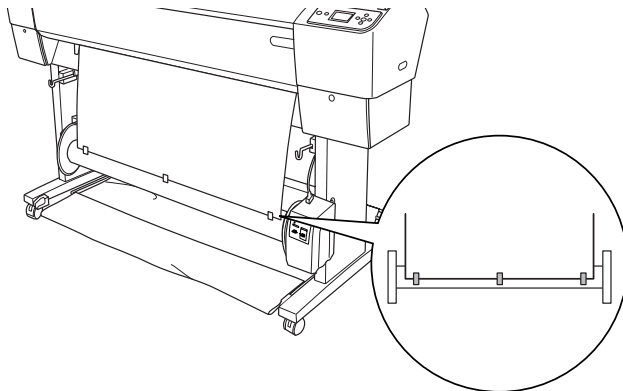
4. Press the ▼ button to feed the roll paper out of the printer.



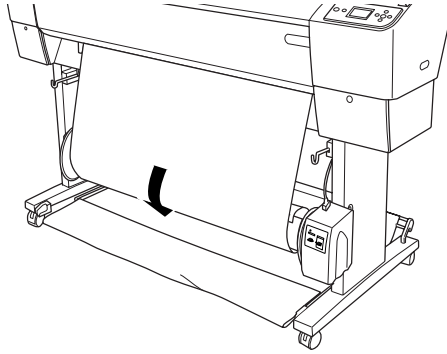
5. Set the Auto switch on the Auto Take-Up Reel to Off.



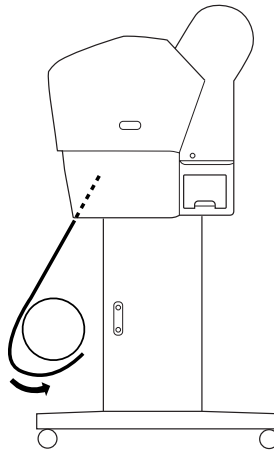
6. Tape the leading edge of the roll paper to the take-up reel core in three places.



7. Press the ▼ button to feed the paper forward and create some slack.



8. Hold the **Manual** switch on the Auto Take-Up Reel in the **Forward** position to take up at least one turn of paper onto the reel. Make sure adequate slack remains between the roll paper and the take-up reel.

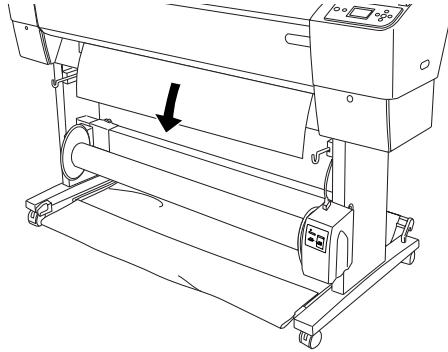


Taking-up Paper Backward

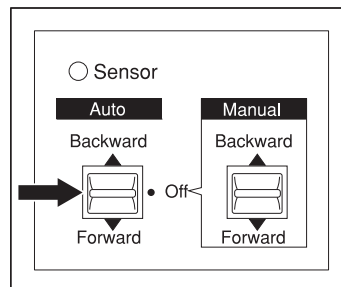
When you want the paper wound onto the take-up reel with the print on the inside, set the take-up reel to wind paper backward, as described below.

1. Attach the three paper guides that came with the Auto Take-Up Reel, making sure to space them evenly.
2. Make sure that the roll paper is loaded in the printer properly. For instructions, see page 55.

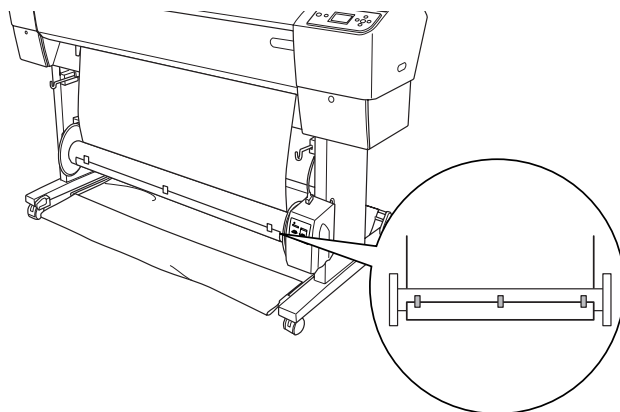
3. Press the ◀ button to select □ (Auto Cut Off).
4. Press the ▼ button to feed the roll paper out of the printer.



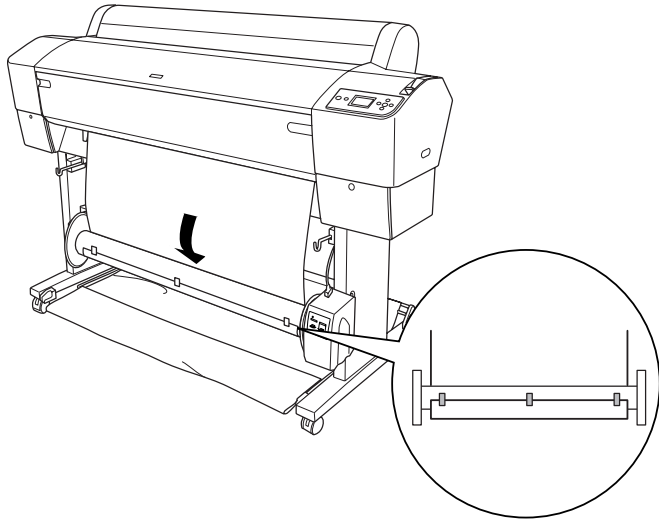
5. Set the Auto switch on the Auto Take-Up Reel to Off.



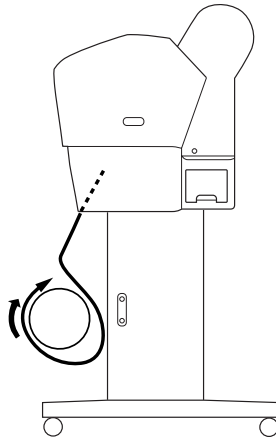
6. Wind the bottom of the roll paper around the back of the reel as shown below, then tape the leading edge of the paper to the reel in three places.



7. Press the ▼ button to feed the paper forward and create some slack.



8. Hold the **Manual** switch on the Auto Take-Up Reel in the **Backward** position to take up at least one turn of paper on the take-up reel. Make sure adequate slack remains between the roll paper and the take-up reel.



Printing Using the Auto Take-Up Reel

Once the Auto Take-Up Reel is installed and paper is attached to it, you can use it to take up your prints.

Warning: Do not touch the Auto Take-Up Reel while it is operating; doing so may result in injury.

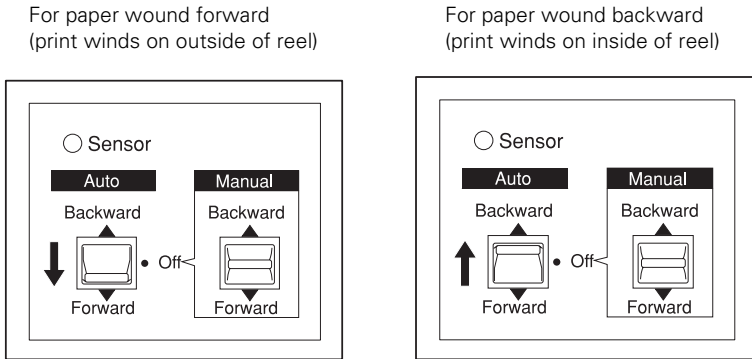
Do not look directly at the sensor beam across the front of the reel; doing so may cause permanent eye damage.

Turn off the Auto Take-Up Reel before removing the reel; if the reel operates unexpectedly, bodily injury may occur.

Caution: Do not place your hand or other object in the sensor detection area across the front of the reel. Interrupting the sensor beam can cause paper to be taken up under tension and adversely affect printing.

Do not touch the **Manual** switch while printing; doing so may damage your prints.

1. Press the ◀ button to select Ⓞ (Auto Cut Off).
2. Set the direction in which you loaded paper on the Auto Take-Up Reel using the **Auto** switch.



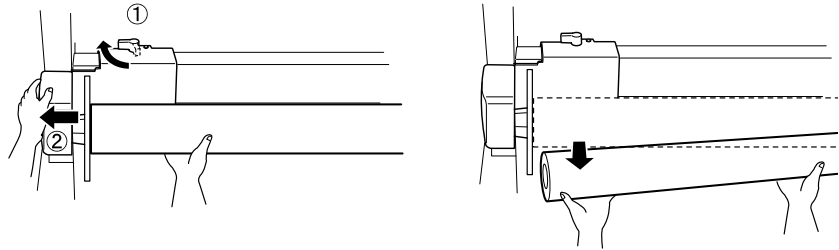
3. Send a print job to the printer. As the printer prints, the Auto Take-Up Reel takes up the roll paper 1/4 to 1/2 turn at a time as it feeds past the sensor.
4. When you are ready to remove your prints, turn off the Auto Take-Up Reel.

5. Press the ◀ button to select Ⓞ½ (Auto Cut On).

If you are printing on very thick paper, leave Auto Cut turned off, then feed and cut the paper manually to avoid damaging the cutter (see page 61). Continue with step 7.

6. Press and hold the ↵ button for 3 seconds. The roll paper is cut automatically.

7. To remove your prints, turn the lever to unlock the reel, and then slide it left. Support the reel with one hand to keep it from falling.
8. Remove the take-up reel core from the paper stop on both ends of the reel.

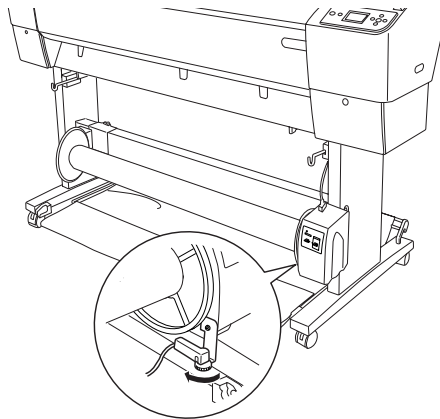


Adjusting the Auto Take-Up Reel Sensor

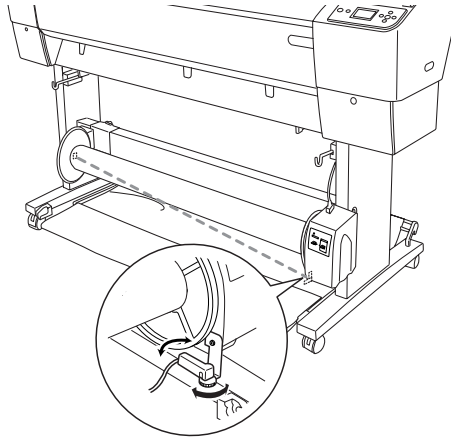
If the Sensor light on the Auto Take-Up Reel is flashing, you need to adjust the sensor position.

Caution: Avoid placing the sensor in direct sunlight and prevent fans or air conditioners from blowing directly on the roll paper; otherwise, the auto take-up reel may not operate properly.

1. Loosen the knob on the light emitter as shown below.



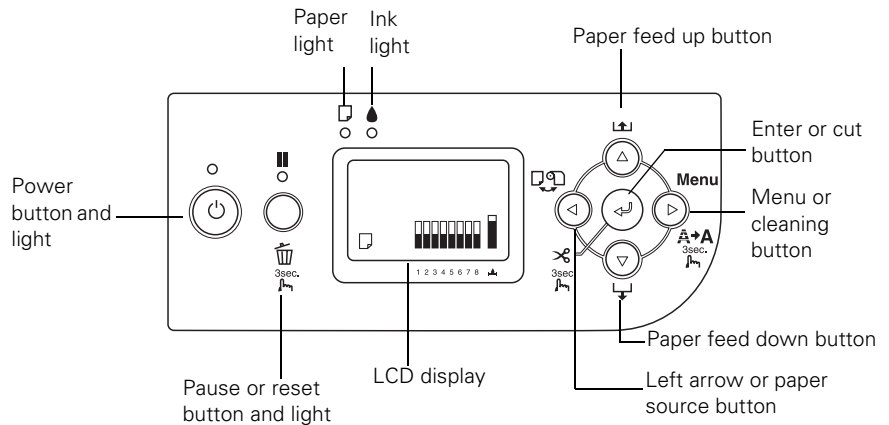
2. Adjust the horizontal angle of the emitter until the Sensor light turns on, then tighten the knob to secure the emitter in position.








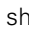

Appendix C: Control Panel Summary






This Appendix summarizes the functions of the control panel's lights and buttons (below), describes the informational messages and icons you may see on the LCD display (see page 203), and lists the available menu settings (see page 206).

Control Panel Buttons and Lights







Buttons

Button	Description
 Power	Turns the printer on and off
 Pause	Stops printing temporarily Restarts printing when printing was paused In menu mode, returns the printer to READY state When held for 3 seconds, deletes the print job
 Menu	Accesses the printer menus Selects menus and settings within menu mode During printing, enters the PRINTER STATUS menu When held for 3 seconds, cleans the print head
 Paper Source	Selects the paper source ( sheet,  roll/Auto Cut On, or  roll/Auto Cut Off) Goes back to previous menu within menu mode When held for 3 seconds, enters cutter replacement mode

Button	Description
▼ Paper Feed Down	<p>Feeds the paper forward</p> <p>Changes setting parameters within menu mode</p>
▲ Paper Feed Up	<p>Feeds the paper backward, if you fed it forward using the ▼ Paper Feed Down button (does not feed paper backward if you fed it forward by hand)</p> <p>Changes setting parameters within menu mode</p>
↵ Enter	<p>Executes setting changes within the menu system</p> <p>When held for 3 seconds when  sheet is selected, ejects the sheet</p> <p>When held for 3 seconds when  roll/Auto Cut On is selected, cuts the paper automatically</p> <p>When held for 3 seconds when  roll/Auto Cut Off is selected, feeds roll paper (for use with optional Manual Media Cutting System, if installed)</p> <p>When held for 3 seconds when the printer is drying ink, stops the ink drying process and ejects the paper</p>
Button combinations	
⏻ Power +  Pause	When the printer is already turned on, enters maintenance mode
 Pause + ◀ Paper Source	Switches the roll paper counter on and off (if REMAINING PPR SETUP and ROLL PAPER COUNTER settings are on; see page 149 for details)

Lights

See “Checking Error Messages and Lights” on page 164 for instructions on responding to problems indicated by the printer lights.

Light	Description
 Power	On: printer is turned on Flashing: printer is printing or shutting down Off: printer is turned off
 Pause	On: printer is paused Off: printer is not paused
 Paper	On: no paper is loaded, paper is out, paper lever is in the Released position, the selected paper source does not match the printer driver source, or the loaded paper is too thick for print head cleaning Flashing: paper is jammed, almost out, loaded crooked, not detected, not ejected correctly, or not cut correctly
 Ink	On: an ink cartridge is expended or not compatible with the printer, or the maintenance tank is full Flashing: an ink cartridge is nearly expended or the maintenance tank is nearly full


LCD Display Messages and Icons

The tables below describe informational messages and icons you may see on the LCD display.






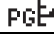
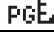


Messages




















For a list of error messages that may appear on the LCD display and instructions on correcting any problems they may indicate, see “Checking Error Messages and Lights” on page 164.

Message	Description
READY	Printer is ready to print
PRINTING	Printer is printing
INK DRYING	Printer is drying ink
PAUSE	Printer is paused

Message	Description
EPSON	Printer is preparing to print
CUTTING PAPER	Printer is cutting paper
PLEASE WAIT	Printer is preparing to display the READY message
CLEANING	Printer is cleaning the print head
PRESS PAUSE BUTTON	Printer needs you to press the  Pause button to continue
CHARGING INK	Printer is charging the ink delivery system
RESETTING	Printer is resetting
UPDATING FIRMWARE	Printer is updating its firmware
FIRMWARE UPDATE COMPLETE	Printer is finished updating its firmware
POWER OFF	Printer is turning off

Icons

Icon	Description
Paper Source icons	
	Sheet
	Roll paper with Auto Cut On
	Roll paper with Auto Cut Off
Platen Gap icons	
	Widest
	Wider
	Wide
	Narrow
Roll paper icons	
	Displays when a non-default ROLL PAPER MARGIN setting is selected in the PRINTER SETUP menu; see page 206 for details
	Displays when the ROLL PAPER COUNTER setting is turned on in the PRINTER SETUP menu; see page 206 for details

Icon	Description
Ink icons	
	100–81% capacity
	80–61% capacity
	60–41% capacity
	40–21% capacity
	20% or less capacity
	Ink low
	Ink expended
	Cartridge error or no cartridge
Maintenance tank icons	
	100–81% free
	80–61% free
	60–41% free
	40–21% free
	20% or less free
	Maintenance tank nearly full
	Maintenance tank full
	Maintenance tank error or no maintenance tank
Paper suction icons	
	Strong suction (168%)
	Normal suction (60%)
	Weak suction (0%)

Menu Setting Summary

Press the Menu button to enter menu mode and select the settings summarized here.

Menu setting	Description
PRINTER SETUP menu	
ROLL PAPER COUNTER	Alerts you when roll paper is running low. Set the paper length and at what remaining length you want to be alerted. (To use, first select ROLL as the REMAINING PPR SETUP setting in Maintenance mode; see page 149.)
PLATEN GAP	Adjusts the distance from the print head to the paper; see page 68 for details. STANDARD for most printing WIDE or WIDER if images are smeared NARROW for thin paper WIDEST for thick paper
PAGE LINE	Selects whether to print a cut off line between pages on roll paper; see page 62 for details.
INTERFACE	Selects an interface for receiving print jobs. AUTO to automatically select the interface when it receives a print job USB to receive only print jobs sent to the USB interface NETWORK to receive only print jobs sent to the network interface
CODE PAGE	Selects the code page for your data PC437 for extended graphics data codes PC850 for multilingual data codes
ROLL PAPER MARGIN	Selects the margins for roll papers. DEFAULT (15 mm all around) TOP/BOTTOM 15 mm (3 mm left/right) TOP 35/BOTTOM 15 mm (3 mm left/right) 3 mm (all around) 15 mm (all around)
PAPER SIZE CHECK	Selects whether the printer checks to see if the width of the loaded paper matches the width selected in your print job (ON is recommended).

Menu setting	Description
PAPER SKEW CHECK	Selects whether the printer alerts you if paper is not feeding straight by displaying PAPER SKEW on the LCD display and stopping printing. If you select OFF , you do not receive an error even if the print job is out of range of the loaded paper.
TIME OUT	Selects the time interval before cancelling a print job if the printer cable is unplugged or the printer hangs (range is 30 to 300 seconds).
CUTTER ADJUSTMENT	Prints cutter adjustment patterns and allows you to adjust the cutting position if you print with no top or bottom margins.
REFRESH MARGIN	Selects whether to automatically leave an extra margin area after borderless print jobs.
AUTO NOZZLE CHECK	Selects whether to automatically check the print head nozzles before printing each print job. Do not select ON if using non-Epson media or paper narrower than 8.26 inches (210 mm). (Available only when AUTO CLEANING setting is set to ON .)
AUTO CLEANING	Selects whether to automatically check and clean the print head, if necessary, when you run a nozzle check from the control panel or printer driver. Do not select ON if using non-Epson media or paper narrower than 8.26 inches (210 mm).
QUIET CUT	Selects whether to cut printouts slowly to decrease cutting noise and paper particles.
INITIALIZE SETTINGS	Resets the PRINTER SETUP menu settings to their default settings.
TEST PRINT menu	
NOZZLE CHECK	Prints a nozzle check pattern; see page 136 for details.
STATUS SHEET	Prints a sheet showing the status of various printer parts and settings; see page 132 for details.
NETWORK STATUS SHEET	Prints a sheet showing the network settings; see the on-screen <i>Network Guide</i> for details.
JOB INFORMATION	Prints a sheet showing information about the last 10 print jobs.
CUSTOM PAPER	Prints information about paper configurations you have created; see page 74 for details.

Menu setting	Description
PRINTER STATUS menu (see page 132 for details)	
VERSION	Displays the printer's firmware version number.
PRINTABLE PAGES	Displays an estimate of the number of pages that can be printed based on the ink cartridge status.
INK LEVEL	Displays the status of the ink in the cartridges.
MAINTENANCE TANK	Displays the status of the maintenance tank.
USAGE COUNT	Displays the approximate amount of ink and paper used.
CLEAR USAGE COUNT	Clears the values displayed in USAGE COUNT.
JOB HISTORY	Displays the approximate amount of ink and paper used in the last 10 print jobs.
TOTAL PRINTS	Displays the total number of pages printed.
SERVICE LIFE	Displays the service life of each printer part.
EDM STATUS	For future enhancements to the printer; no settings necessary.
CUSTOM PAPER menu (see page 74 for details)	
PAPER NUMBER	Selects the number for each special paper configuration you create using the settings below.
PLATEN GAP	Adjusts the distance from the print head to the paper. STANDARD for most printing WIDE or WIDER if images are smeared NARROW for thin paper WIDEST for thick paper
THICKNESS PATTERN	Prints a thickness patterns so you can select a THICKNESS NUMBER setting below.
THICKNESS NUMBER	Selects the thickness number for the best pattern printed using the THICKNESS PATTERN setting above.
CUT METHOD	Selects the cutting blade pressure you want to use for the paper. STANDARD THIN PAPER THICK PAPER, FAST THICK PAPER, SLOW

Menu setting	Description
PAPER FEED ADJUST	Adjusts the amount of paper fed during printing to help eliminate banding (–0.70 to 0.70%). Choose a lower value if you see white lines on your prints, or a higher value if you see dark lines.
DRYING TIME	Selects a drying time for ink to avoid smearing (from 0 to 10 seconds).
PAPER SUCTION	Adjusts the suction pressure when printing on thin paper or backlight film. STANDARD –1 to –4
M/W ADJUSTMENT	Adjust the intensity of the MicroWeave pattern to improve print quality, but lower print speed. STANDARD 1 or 2
MAINTENANCE menu	
CUTTER REPLACEMENT	Starts procedure to replace the paper cutter blade; see page 151 for details.
BK INK CHANGE	Starts the procedure to replace the black ink cartridge type; see page 145 for details.
POWER CLEANING	Starts a print head power cleaning cycle; see page 138 for details.
CLOCK SETTING	Sets the printer date and time settings; see page 149 for details.
CONTRAST ADJUSTMENT	Adjusts the contrast of the LCD display.
HEAD ALIGNMENT menu (see page 139 for details)	
PAPER THICKNESS	Select the paper thickness for aligning the print head.
ALIGNMENT	Select and start running print head alignment of various types.
NETWORK SETUP menu (see the on-screen <i>Network Guide</i> for details)	
NETWORK SETUP	Select to enable or disable network printing.
IP ADDRESS SETTING	Select to set the IP address automatically or manually.

Menu setting	Description
IP, SM, DG SETTING	Enter the IP address settings, if selecting the address manually.
BONJOUR	Select the Bonjour network settings, if necessary.
INIT NETWORK SETTING	Returns the network settings to their default settings.

Index

A

- Accessories, 12 to 13
- Advanced Black and White Photo
 - Mac OS X, 91 to 93
 - Windows, 110 to 112
- Aligning print head, 139 to 141
- Always spool RAW datatype setting, 120
- Auto Cut setting
 - Mac OS X, 89
 - Windows, 106
- Auto Rotate setting, Windows, 106
- Automatic Take-Up Reel, optional
 - ordering, 12 to 13
 - problems, 178
 - using, 189, 192 to 200

B

- Banding, 169
- Basket, paper
 - SP 7880, 27 to 29, 69 to 70
 - SP 9880, 36 to 39, 71 to 73
- Black and white photos
 - Mac OS X, 91 to 93
 - Windows, 110 to 112
- Black ink, changing, 145 to 148
- Blade, cutter, replacing, 151 to 154
- Blank pages, 173
- Blurry prints, 171
- Borderless printing
 - Mac OS X, 78 to 81
 - Windows, 96, 103 to 108
- Bracket, shipping
 - installing for transport, 158
 - SP 7880, removing, 26
 - SP 9880, removing, 35
- Buttons, control panel, 164, 201 to 202

C

- Cable
 - power, 39
 - printer, 14, 42
 - problems, 172, 173
 - requirements, 14
- Canceling print jobs
 - Mac OS X, 94
 - Windows, 119
- Cartridges, *see* Ink cartridges
- Changing black ink, 145 to 148
- Checking printer status, 131 to 135
- Cleaning
 - print head, 135 to 138, 150
 - printer, 156
- Coarse Rendering setting, 121
- Color management
 - Mac OS X, 86 to 87, 91 to 93
 - Windows, 101 to 103, 110 to 112
- Color problems, 170, 173
- ColorSync settings, 87
- Component life, checking, 131 to 134
- Connecting printer, 42
- Control panel
 - aligning print head, 139 to 141
 - buttons, 164, 201 to 202
 - changing language, 149 to 151
 - changing measurement units, 149 to 151
 - cleaning print head, 136 to 138
 - component life, checking, 131 to 134
 - illustration, 164, 201
 - ink levels, checking, 131 to 134, 141, 205
 - lights, 164, 201 to 203
 - messages, 164 to 168, 203 to 204
 - monitoring printer, 164 to 168
 - restoring default settings, 149 to 151
 - status check, printing, 131 to 132
- CR (carriage) motor, checking status, 131 to 134

- Custom paper size
 - Mac OS X, 79 to 81
 - Windows, 96, 104, 107 to 108
- Custom Preset
 - Mac OS X, 93
 - Windows, 116 to 117
- Cut sheet paper
 - heavy stock, 65 to 67
 - loading, 63 to 65
 - supported sizes, 184 to 186
- Cutter
 - cutting paper manually, 61 to 62
 - manual, ordering, 12 to 13
 - replacement blade, ordering, 12 to 13
 - replacing blade, 151 to 154

D

- Date and time setting, 149
- Default settings, restoring, 149 to 151
- Deleting print jobs
 - Mac OS X, 94
 - Windows, 119
- Depth of printer, 182
- Diagnosing problems, 163
- Dimensions of printer, 182
- Documentation, how to use, 11

E

- Electrical specifications, 181
- Energy consumption, 181
- Environmental specifications, 181
- Epson
 - accessories, 12 to 13
 - help, 13
 - media, 45 to 55
 - Preferred Limited Warranty Plan, 13
- Epson NetConfig, 44
- Error messages, 164 to 168
- Error notification, Windows, 121 to 122
- Ethernet port, 14, 42, 182

F

- Faint prints, 170
- Firmware, updating, 42 to 44
- Flip Horizontal setting
 - Mac OS X, 84
 - problems, 173

G

- Gaps in prints, 170
- Garbled characters, 173
- Ghosting, 169
- Grainy prints, 169

H

- Head Alignment menu, 139, 140
- Head unit (print head), checking status, 131 to 134
- Heavy media
 - cutting, 61 to 62
 - loading, 65 to 67
- Height of printer, 182
- Help, Epson, 13
- Hex dump, 149 to 151
- High Speed Copies setting, 120
- High Speed setting
 - Mac OS X, 84
 - Windows, 99
- Humidity requirements, 181

I

- ICM setting, 103
- Ink
 - icons, 141, 205
 - light, 164, 203

Ink cartridges
 changing black, 145 to 148
 checking status, 119, 131 to 135,
 141
 installing, 40 to 41
 ordering, 142
 removing for transportation, 158
 replacing, 141 to 144
 safety instructions, 17
 specifications, 188
 Inverted images, 173

J

Jams, paper, 176 to 177
 Job history, 133

L

Language, control panel, 149 to 151
 Layout
 Mac OS X options, 79 to 81
 Windows options, 109 to 110
 LFP Remote Panel, 42 to 44
 Lights, control panel, 164, 201 to 203
 Loading
 cut sheet paper, 63 to 65
 posterboard, 65 to 67
 roll paper, 55 to 61

M

Mac OS X
 basic print options, 82 to 84
 black and white photos, 91 to 93
 borderless printing, 78 to 81
 canceling print jobs, 94
 checking printer status, 134 to 135
 color management, 86 to 87,
 91 to 93
 custom paper size, 79 to 81
 custom preset, 93
 Media Type setting, 83 to 86
 monitoring print jobs, 94
 page setup options, 79 to 81
 paper configuration settings,
 87 to 88
 roll paper settings, 89 to 90
 system requirements, 13 to 14
 uninstalling software, 178
 Maintenance, 131 to 157
 Maintenance menu, 138, 151
 Maintenance Mode, 149 to 151
 Maintenance tank
 checking status, 131 to 135
 ordering, 12 to 13
 replacing, 154 to 155
 Manual cutter
 installing, 189 to 191
 ordering, 12 to 13
 Manuals, how to use, 11
 Margins
 default, 187
 incorrect, 173
 printing without, 103 to 108
 Media Type
 Mac OS X, 83 to 86
 Windows, 98, 110, 112 to 115
 Memory, requirements, 13 to 14

Menus

- Custom Paper, 74 to 76, 208 to 209
- Head Alignment, 139, 140, 209
- Maintenance, 138, 151, 209
- Network Setup, 209 to 210
- Printer Setup, 136, 137, 206 to 207
- Printer Status, 43, 132 to 134, 208 setting summary, 206 to 210
- Test Print, 132, 207
- Messages, control panel, 164 to 168, 203 to 204
- Mirror Image setting
 - problems, 173
 - Windows, 109
- Monitoring printer
 - control panel, 164 to 168
 - Mac OS X, 94
 - Windows, 119 to 122
- Motors, checking status, 131 to 134
- Moving printer, 157 to 161

N

Network

- configuring software, 44
- connection, 42
- Network Setup menu, 209 to 210

O

- Optional equipment, 12 to 13, 189 to 200

P

- Page Line setting
 - control panel, 62
 - Mac OS X, 90
 - Windows, 106
- Page Rendering Mode setting, 120
- Page setup options, Mac OS X, 79 to 81

Paper

- attaching to spindle, 57
- configuration settings, 74 to 76, 87 to 88, 112 to 115, 170
- custom size, 79 to 81, 96, 104, 107 to 108
- cut sheet, *see* Cut sheet paper
- cutting manually, 61 to 62
- Epson, 45 to 55
- handling, 45 to 76
- heavy stock, 65 to 67
- icons, 204
- jams, 176 to 177
- light, 164, 203
- Mac OS X options, 79 to 81
- non-Epson, 74 to 76
- ordering, 45
- printable area, 187
- problems, 174 to 177
- removing from spindle, 60
- roll, *see* Roll paper
- sizes, 182, 184 to 186
- specifications, 182 to 187
- suction, 75, 88, 113
- trim lines, 62, 90, 106
- Paper basket
 - SP 7880, 27 to 29, 69 to 70
 - SP 9880, 36 to 39, 71 to 73
- Paper cutter, *see* Cutter or Manual cutter
- Paper Size setting
 - Mac OS X, 79 to 81
 - problems, 173
 - Windows, 104, 107 to 108
- Paper Source setting
 - icons, 204
 - problems, 173
 - Windows, 103, 107
- Pause light, 164, 201 to 203
- Pausing print jobs
 - Mac OS X, 94
 - Windows, 119
- PF (paper feed) motor, checking status, 131 to 134

- PhotoEnhance, 102
- Platen Gap setting
 - control panel, 68
 - Macintosh, 88
 - problems, 170
 - Windows, 113
- Posterboard, 65 to 67
- Power cable, 39
- Power cleaning cycle, 138
- Power consumption, 181
- Power light, 164, 201 to 203
- Preset
 - Mac OS X, 93
 - Windows, 116 to 117
- Print as Bitmap setting, 121
- Print head
 - aligning, 139 to 141
 - checking status, 131 to 134
 - cleaning, 135 to 138, 150
 - locking, 158
 - unlocking, 26, 35
- Print jobs
 - canceling, 94, 119
 - managing, 94, 119 to 122
 - pausing, 94, 119
- Print quality
 - Mac OS X, 84
 - problems, 168 to 171
 - Windows, 98 to 99
- Print speed, improving in Windows, 120
- Printable area, 187
- Printable pages, checking, 132
- Printer
 - cable, 14, 42
 - checking status, 119 to 122, 131 to 135
 - cleaning, 156
 - connecting, 42
 - default settings, restoring, 149 to 151
 - dimensions, 182
 - firmware update, 42 to 44
 - maintaining, 131 to 157
 - monitoring, 119 to 122, 134 to 135
 - motors, checking status, 131 to 134
 - moving, 157 to 161
 - plugging in, 39
 - software, uninstalling, 178 to 179
 - specifications, 181 to 188
 - status check, 131 to 135
 - storing, 157 to 161
 - total print volume, 133
 - transporting, 157 to 161
 - turning off, 16
 - weight, 182

Problems

- banding, 169
- blank paper, 173
- blurry prints, 171
- cable, 172, 173
- color, 170, 173
- diagnosing, 163
- faint prints, 170
- garbled characters, 173
- ghosting, 169
- graininess, 169
- inverted image, 173
- margin, 173
- misalignment, 169
- misregistration, 169
- nothing prints, 172
- operational, 172
- paper, 174 to 177
- print quality, 168 to 171
- print speed, 120
- printing stops, 172
- roll paper cannot be cut, 173
- smear prints, 171

Progress Meter, 119, 120

Q

Quality Options, Windows, 98 to 99

R

- Registering non-Epson media,
 - 74 to 76, 87 to 88, 112 to 115, 171
- Requirements, system, 13 to 14
- Resolution
 - Mac OS X, 84
 - Windows, 98

Roll paper

- attaching to spindle, 57
- cannot be cut, 173
- cutting manually, 61 to 62
- loading, 55 to 61
- Mac OS X settings, 89 to 90
- printable area, 187
- removing from spindle, 60
- Save Roll Paper setting, 90, 104
- trim lines, 62, 90, 106

S**Safety**

- approvals, 182
- instructions, 15 to 17

Save Roll Paper setting, 90, 104

Setting up

- SP 7880, 19 to 29
- SP 9880, 29 to 39

Shipping bracket

- installing, 158
- SP 7880, removing, 26
- SP 9880, removing, 35

Software

- uninstalling, 178 to 179

Specifications

- electrical, 181
- environmental, 181
- ink cartridges, 188
- paper, 182 to 187
- printable area, 187
- printer, 181 to 188

Speed and Progress utility, 119 to 122

Spindle

- adapter, 61
- loading roll paper, 57
- ordering, 12 to 13
- removing roll paper, 60

Stand

- SP 7880, 19 to 27
- SP 9880, 29 to 39

Status Monitor
 Mac OS X, 134 to 135
 Windows, 119 to 122, 134 to 135

Storing printer, 157 to 161

Stylus Pro 7880
 mounting on stand, 24 to 26
 paper basket, 27 to 29, 69 to 70
 removing shipping bracket, 26
 setting up, 19 to 29
 stand, unpacking and assembling,
 19 to 22
 unpacking, 19 to 24

Stylus Pro 9880
 mounting on stand, 33 to 36
 paper basket, 36 to 39, 71 to 73
 removing shipping bracket, 35
 setting up, 29 to 39
 stand, unpacking and assembling,
 29 to 31
 unpacking, 29 to 32

Suction, 75, 88, 113

Support, Epson, 13

System requirements, 13 to 14

T

Take-Up Reel, Auto, *see* Automatic
 Take-Up Reel, optional

Technical support, 13

Temperature requirements, 181

Test Print menu, 132

Time and date setting, 149

Total prints, checking, 133

Transporting printer, 157 to 161

Trim lines, printing
 control panel, 62
 Mac OS X, 90
 Windows, 106

Troubleshooting, 163 to 179

U

UltraChrome K3 ink cartridges, 142

Ultrasonic cleaning cycle, 150

Uninstalling software, 178 to 179

Unit ID number, 13

Usage count, 133

USB cable
 connecting, 42
 port, 182
 requirements, 14

User-defined paper size
 Mac OS X, 79 to 81
 Windows, 96, 104, 107 to 108

Utility cutter, ordering, 12 to 13

Utility menu
 Mac OS X, 134, 135
 Windows, 120, 134, 136

W

Waste ink system, 131 to 135,
 154 to 155

Weight of printer, 182

Width of printer, 182

Windows

- basic print options, 97 to 99
- black and white photos, 110 to 112
- borderless printing, 96, 103 to 108
- canceling print jobs, 119
- checking printer status, 134 to 135
- color management, 101 to 103,
110 to 112
- custom paper size, 96, 104,
107 to 108
- custom presets, 116 to 117
- layout options, 109 to 110
- managing print jobs, 119 to 122
- Media Type setting, 98, 110,
112 to 115
- monitoring preferences, setting,
121 to 122
- paper configuration options,
112 to 115
- Speed and Progress utility,
119 to 122
- status alerts, 121
- Status Monitor, 119 to 122
- system requirements, 14
- uninstalling software, 179
- user-defined paper size, 96, 104,
108