

SINGER

14U34B

PARTS LIST

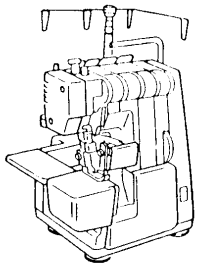
SINGER^{*}

14U34B

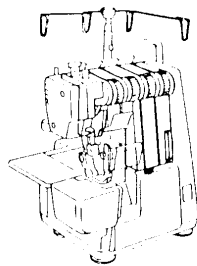
* A Trademark of THE SINGER COMPANY
Copyright © 1988 SINGER SEWING MACHINE COMPANY
All Rights Reserved Throughout The World

INDEX

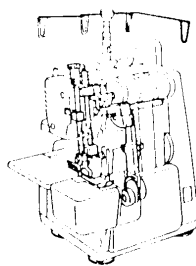
1



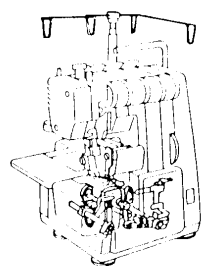
2



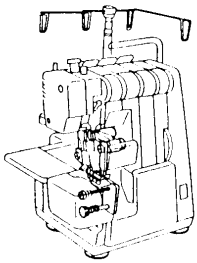
3



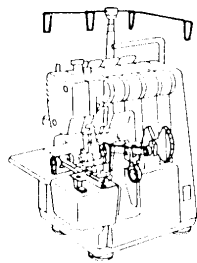
4



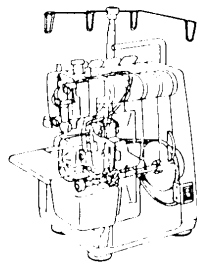
5



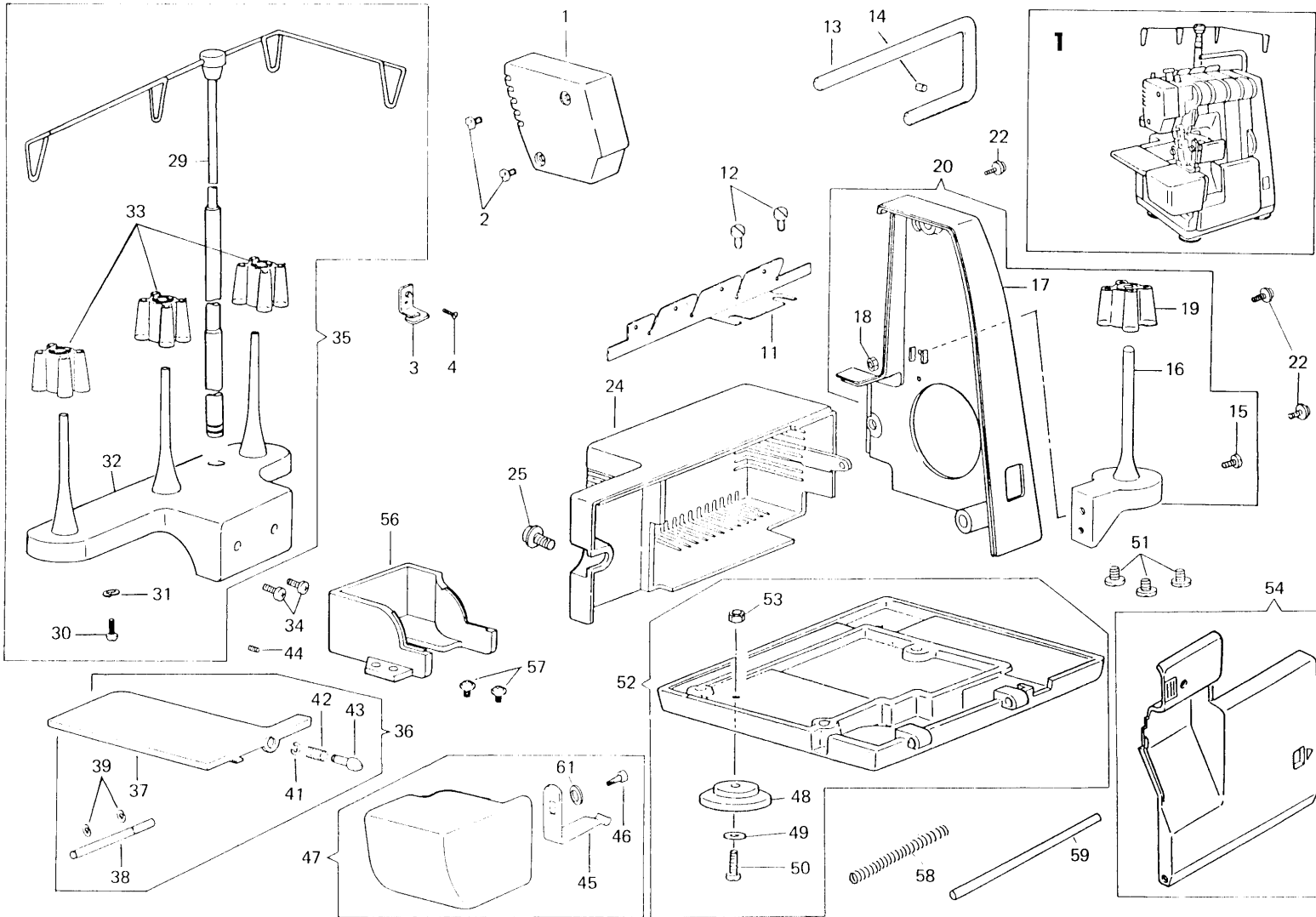
6



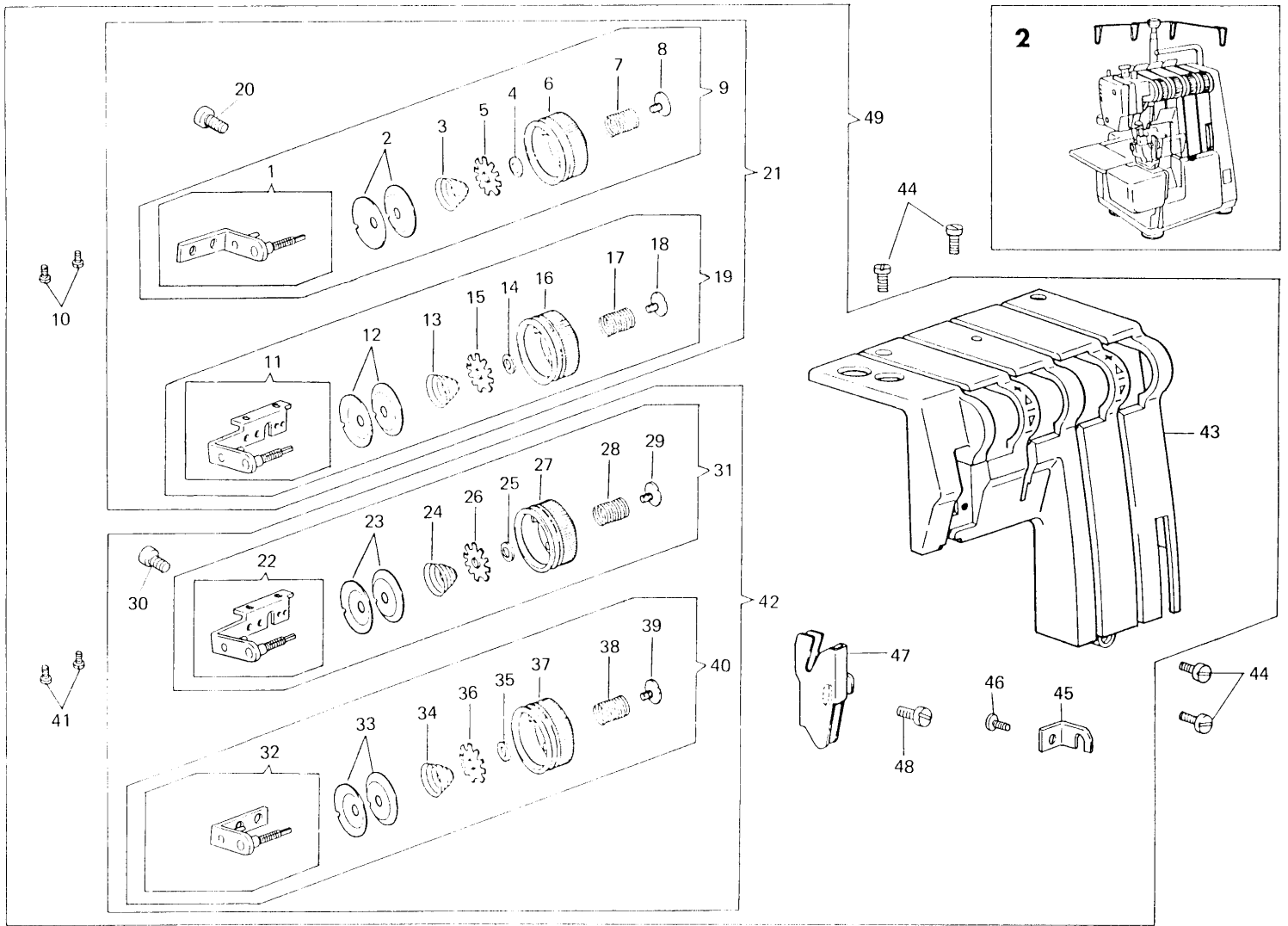
7



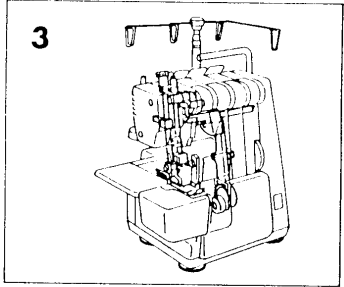
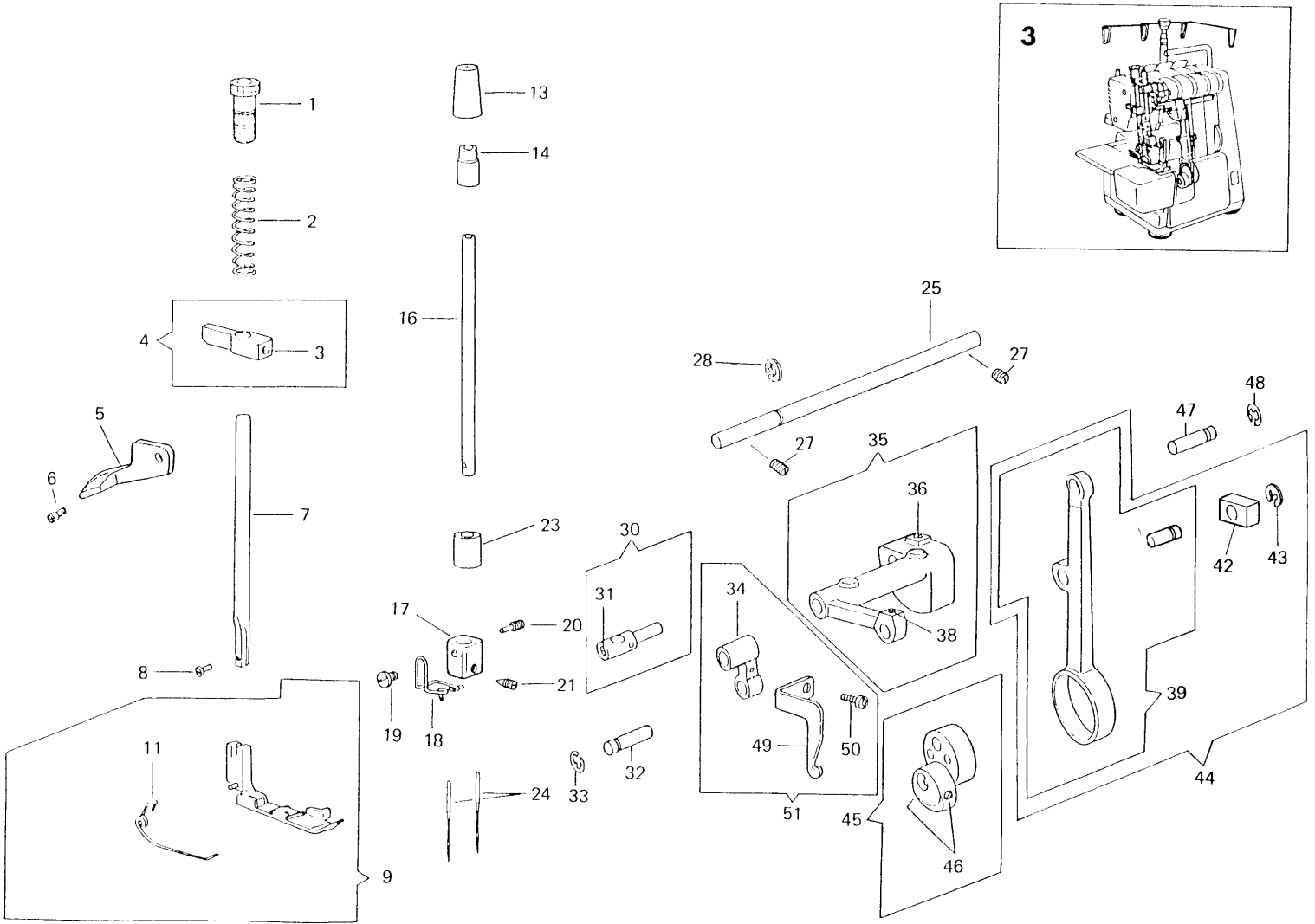
8



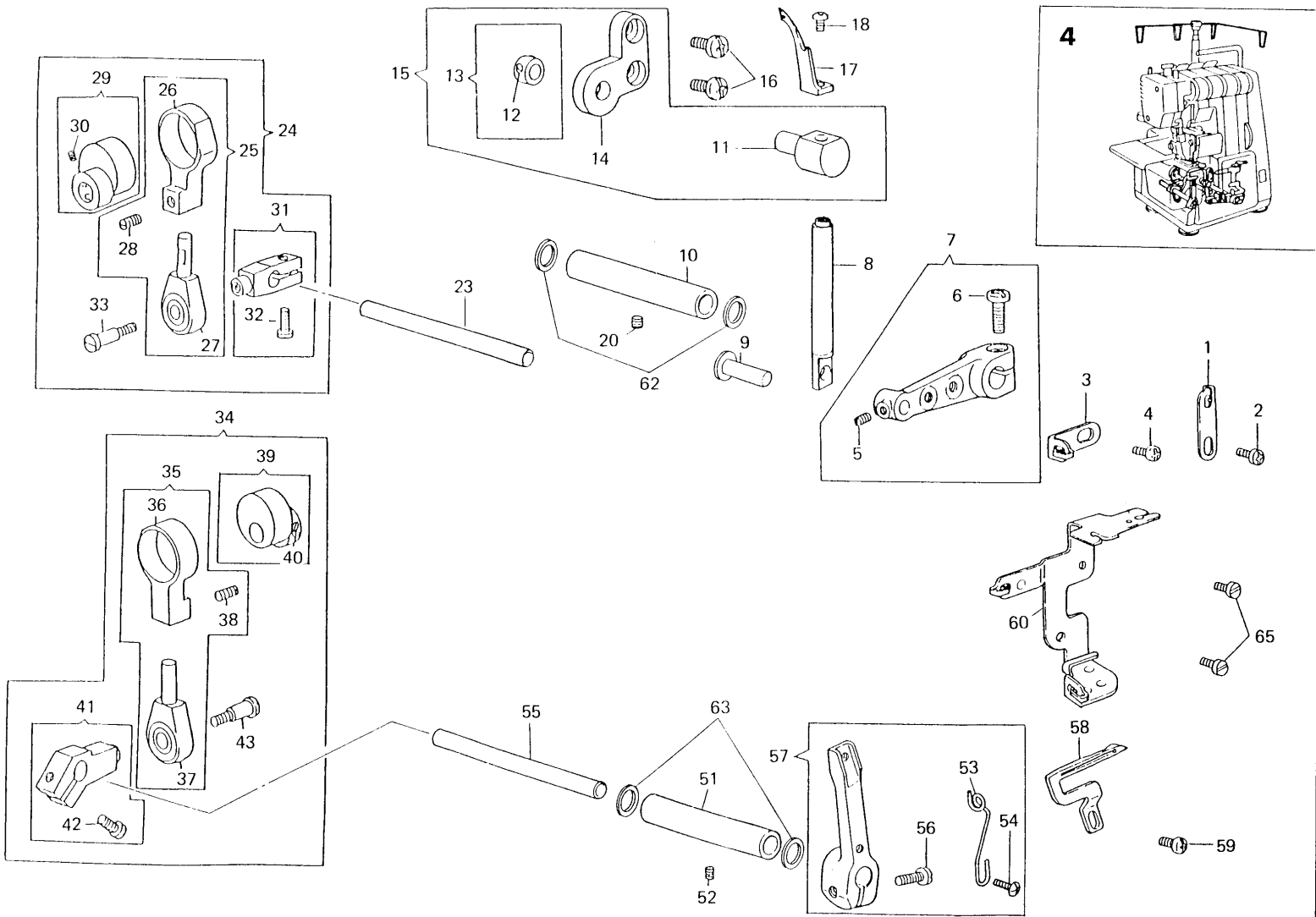
	PART NO.	DESCRIPTION		PART NO.	DESCRIPTION
1	412735-002	Light Cover	39	546623	Convertible Bed Plate Stud Retaining Ring(2)
2	544212-072	Light Cover Screw(2)			
3	412534	Needle Thread Guide	41	546623	Convertible Bed Plate Latch Retaining Ring
4	544258	Needle Thread Guide Screw	42	376786	Convertible Bed Plate Latch Spring
			43	381374-451	Convertible Bed Plate Latch
			44	544203-001	Convertible Bed Plate Stud-Screw
			45	412632	Cylinder Cover Spring
			46	412697	Cylinder Cover Spring Clamping Screw
			47	412706-002	Cylinder Cover Complete
			48	410208	Machine Base Cushion(4)
11	410209	Thread Guide Plate	49	543303-004	Machine Base Cushion Screw Washer(4)
12	544212-001	Thread Guide Plate Set Screw(2)	50	544218-002	Machine Base Cushion Screw(4)
13	410202	Handle	51	544214-005	Machine Base Screw(3)
14	544204-005	Handle Set Screw(2)	52	376794-002	Machine Base Comp.
15	544212-004	Thread Unwinder (small) Screw	53	541166-001	Machine Base Cushion Nut(4)
16	376779-002	Thread Unwinder (small)	54	376323-013	Looper Cover Comp.
17	412750-002	Pulley Cover			
18	541165-001	Thread Unwinder (small) Screw Nut	56	412736-002	Transformer Cover
19	546893	Spool Holder	57	544270-001	Transformer Cover Screw(2)
20	412766-002	Pulley Cover Comp.	58	376717	Looper Cover Hinge Spring
			59	410239	Looper Cover Hinge Pin
22	544270-001	Pulley Cover Screw(3)			
24	410248-003	Motor Cover	61	543304-003	Cylinder Cover Spring Clamping Screw Washer
25	544270-001	Motor Cover Screw			
29	412519	Thread Unwinder Thread Guide Rod Comp.			
30	544212-003	Thread Unwinder Thread Guide Rod Screw			
31	543805-003	Thread Unwinder Thread Guide Rod Screw Washer			
32	410389-902	Thread Unwinder Comp.			
33	546893	Spool Holder(3)			
34	544213-001	Thread Unwinder Comp.Screw(2)			
35	376834-002	Thread Unwinder Comp.			
36	376781-002	Convertible Bed Plate Comp.			
37	376780-902	Convertible Bed Plate (body)			
38	376785	Convertible Bed Plate Stud			



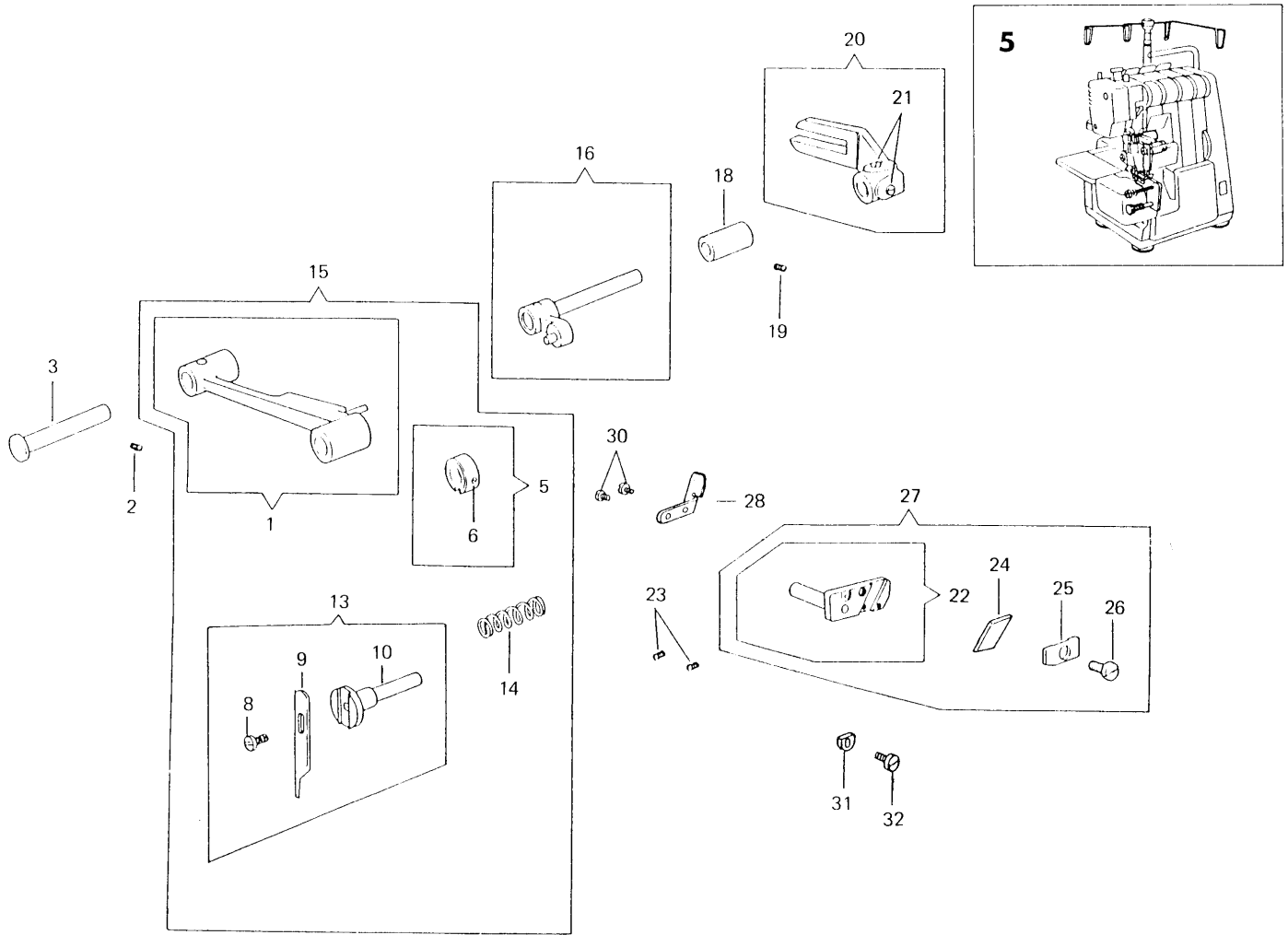
PART NO.	DESCRIPTION	PART NO.	DESCRIPTION
1 376818	One Turn Tension Dial Bracket (right) Comp.	39 544265	Tension Dial Presser Spring Screw
2 410226	Tension Disc(2)	40 376830	One Turn Tension Dial Comp. (N) (right)(for 2 needle)
3 412680	Tension Disc Spring	41 412697-002	Tension Dial Comp.Screw(2)
4 412696	Washer	42 376821	One Turn Tension Dial Comp.(N) (for 2 needle)
5 370289	Tension Disc Spring Nut	43 412754-006	Front Cover (body) Comp.(for 2 needle)
6 410229-460	Tension Dial Comp.	44 544212-073	Front Cover Screw(4)
7 410230	Tension Dial Presser Spring	45 412531	Front Cover Thread Guide (small)
8 544265	Tension Dial Presser Spring Screw	46 412697-002	Front Cover Thread Guide (small) Screw
9 376831	One Turn Tension Dial Comp. (L)(right)	47 412751	Front Cover Thread Guide (for 2 needle)
10 412697-002	Tension Dial Comp.Screw(2)	48 412697	Front Cover Thread Guide Screw
11 376817	One Turn Tension Dial Bracket (left) Comp.	49 376829-001	Front Cover Comp. (for 2 needle)
12 410226	Tension Disc(2)		
13 412679	Tension Disc Spring		
14 412696	Washer		
15 370289	Tension Disc Spring Nut		
16 410229-459	Tension Dial Comp.		
17 410230	Tension Dial Presser Spring		
18 544265	Tension Dial Presser Spring Screw		
19 376832	One Turn Tension Dial Comp. (L)(left)		
20 544212-001	Tension Dial Bracket (left) Set Screw		
21 376820	One Turn Tension Dial Comp. (L)		
22 376817	One Turn Tension Dial Bracket (left) Comp.		
23 410226	Tension Disc(2)		
24 412720	Tension Disc Spring		
25 412696	Washer		
26 370289	Tension Disc Spring Nut		
27 410229-461	Tension Dial Comp.		
28 410230	Tension Dial Presser Spring		
29 544265	Tension Dial Presser Spring Screw		
30 544212-001	Tension Dial Bracket (left) Set Screw		
31 376819	One Turn Tension Dial Comp. (N)(left)		
32 370245	One Turn Tension Dial Bracket (right) Comp.		
33 410226	Tension Disc (2)		
34 412720	Tension Disc Spring		
35 412696	Washer		
36 370289	Tension Disc Spring Nut		
37 410229-462	Tension Disc Comp.		
38 410230	Tension Disc Presser Spring		



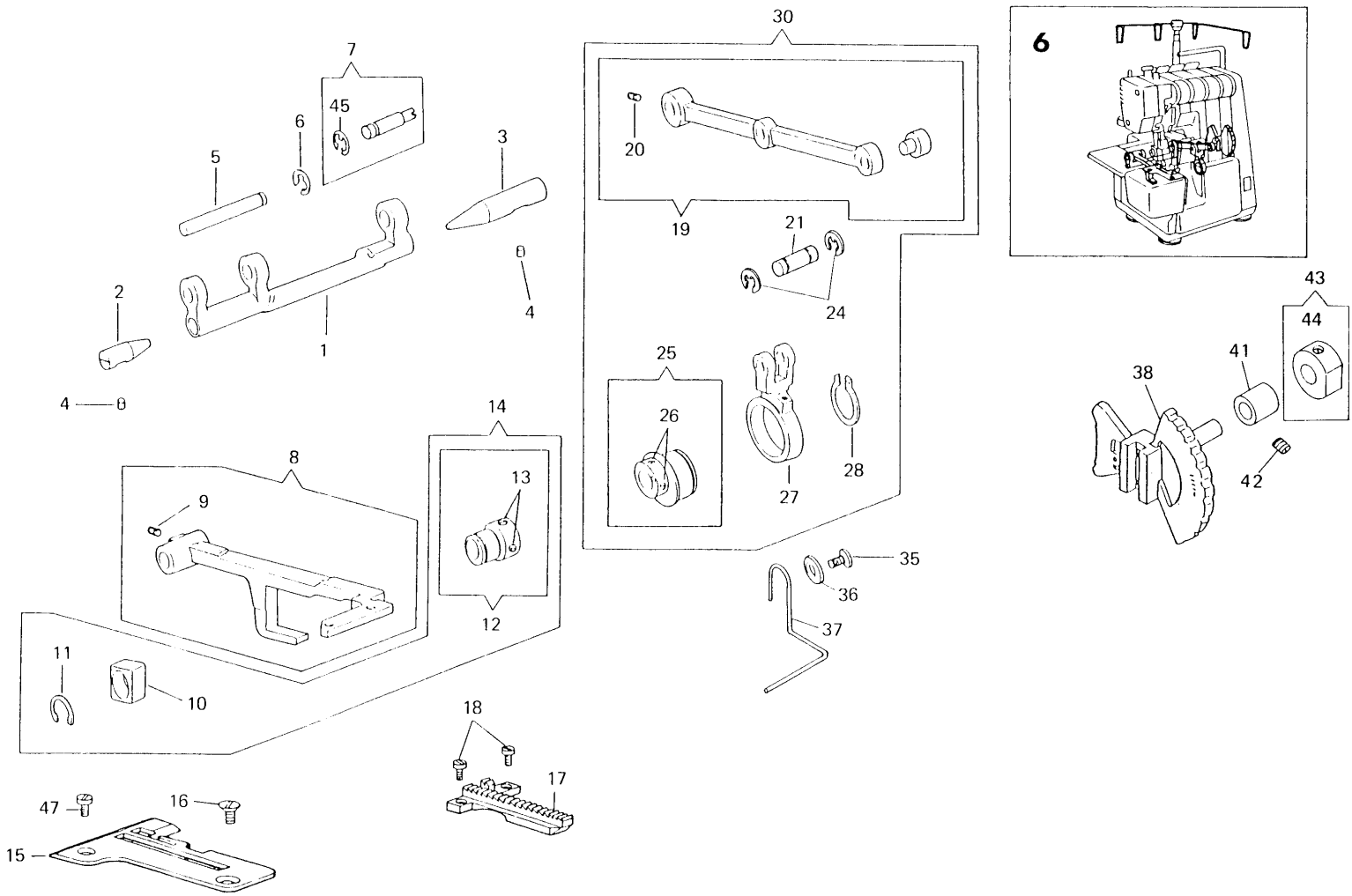
	PART NO.	DESCRIPTION		PART NO.	DESCRIPTION
1	544262-101	Presser Regulating Thumb Screw	39	370243	Needle Bar Crank Rod Comp.
2	410355	Presser Bar Spring			
3	544204-001	Presser Bar Guide Bracket Screw			
4	410352	Presser Bar Guide Bracket Comp.	42	511030	Needle Bar Crank Rod Slide Block
5	412787-100	Presser Bar Lifter	43	543801-006	Needle Bar Crank Rod Slide Block Pin Retaining Ring
6	544441	Presser Bar Lifter Screw Stud	44	370242	Needle Bar Crank Rod Comp.
7	410351	Presser Bar	45	410329	Needle Bar Eccentric Cam Comp.
8	504063-451	Presser Foot Screw	46	544204-002	Needle Bar Eccentric Cam Set Screw(2)
9	376827	Presser Foot Comp.	47	410340	Needle Bar Crank Rod Pin
11	410348	Presser Foot Spring	48	543801-006	Needle Bar Crank Rod Pin Retaining Ring
13	410322-100	Needle Bar Bushing (upper) Cap	49	370274	Needle Thread Take-up
14	410323	Needle Bar Bushing (upper)	50	544211-051	Needle Thread Take-up Screw
16	376844	Needle Bar	51	370275	Needle Bar Connecting Link Comp.
17	376847	Needle Clamp			
18	376848	Needle Bar Thread Guide			
19	544211-059	Needle Bar Thread Guide Set Screw			
20	374102	Needle Bar Set Screw			
21	374101	Needle Set Screw			
23	410324	Needle Bar Bushing (lower)			
24	N2054-01-14	Needle (#14) (2)			
25	376814	Arm Shaft			
27	544204-002	Arm Shaft Bushing Set Screw(2)			
28	543801-007	Arm Shaft Retaining Ring			
30	410325	Needle Bar Connecting Stud			
31	544044	Needle Bar Connecting Stud Screw			
32	410340	Needle Bar Connecting Link Pin			
33	543801-006	Needle Bar Connecting Link Pin Retaining Ring			
34	410327	Needle Bar Connecting Link			
35	412707-001	Needle Bar Crank Comp.			
36	544203-001	Needle Bar Crank Rod Pin Screw			
38	544203-001	Needle Bar Connecting Link Pin			



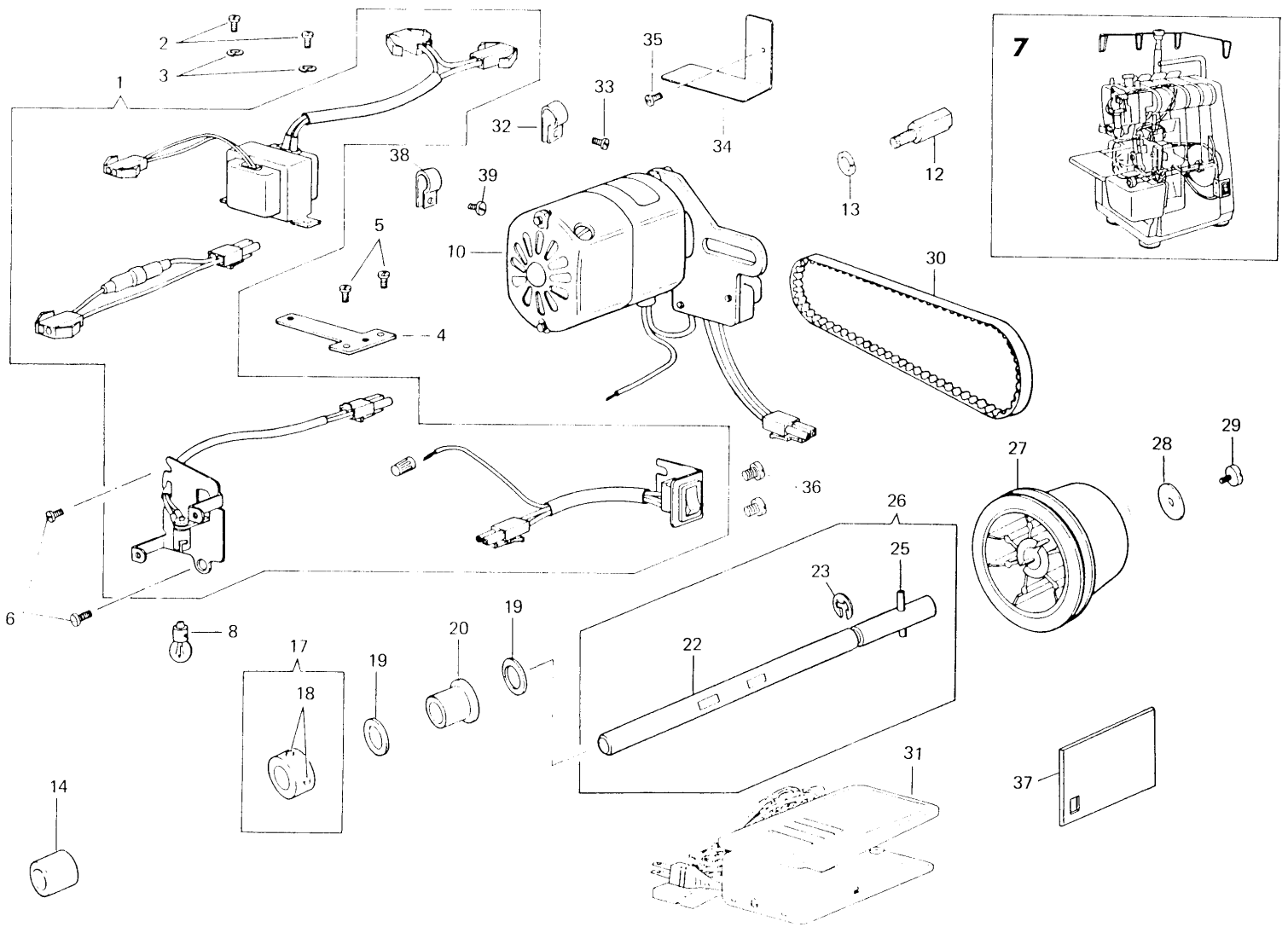
PART NO.	DESCRIPTION	PART NO.	DESCRIPTION
1	410455 Right Looper Thread Guide	39	376701 Looper Cam Comp.
2	544212-001 Right Looper Thread Guide Set Screw	40	544204-001 Looper Cam Set Screw(2)
3	410438 Left Looper Thread Guide	41	412798 Left Looper Shaft Lever Comp.
4	544212-001 Left Looper Thread Guide Set Screw	42	544213-054 Left Looper Shaft Lever Screw
5	544203-001 Right Looper Retainer Driving Lever Stud Set Screw	43	374136 Screw Stud
6	544213-053 Right Looper Retainer Driving Lever Clamping Screw		
7	410436 Right Looper Retainer Driving Lever Comp.		
8	410435 Right Looper Retainer		
9	370290 Right Looper Retainer Driving Stud		
10	376799 Right Looper Shaft Bushing		
11	410429 Right Looper Retainer Guide		
12	544203-001 Right Looper Retainer Guide Collar Screw(2)		
13	410432 Right Looper Retainer Guide Collar Comp.	51	376798 Left Looper Shaft Bushing
14	370281 Right Looper Retainer Guide Bracket	52	544204-001 Left Looper Shaft Bushing Set Screw
15	370280 Right Looper Retainer Guide Bracket Comp.	53	410456 Left Looper Holder Thread Guide
16	544213-002 Right Looper Retainer Guide Bracket Screw(2)	54	544212-001 Left Looper Holder Thread Guide Screw
17	410434 Right Looper	55	376813 Left Looper Shaft
18	544413 Right Looper Screw	56	544213-053 Left Looper Holder Clamping Screw
		57	376838 Left Looper Holder Comp.
20	544204-001 Right Looper Shaft Bushing Set Screw	58	410452 Left Looper
		59	544211-052 Left Looper Screw
		60	376800-001 Looper Thread Guide
23	376813 Right Looper Shaft		
24	376707 Right Looper Cam Rod Comp.	62	542402 Right Looper Shaft Bushing Thrust Washer(2)
25	412793 Looper Cam Rod Comp.	63	542402 Left Looper Shaft Bushing Thrust Washer(2)
26	412794 Looper Cam Rod		
27	412795 Rod End		
28	544208-002 Rod End Set Screw	65	544212-001 Looper Thread Guide Screw(2)
29	376701 Looper Cam Comp.		
30	544204-001 Looper Cam Set Screw(2)		
31	412796 Right Looper Shaft Lever Comp.		
32	544213-054 Right Looper Shaft Lever Screw		
33	374136 Screw Stud		
34	376708 Left Looper Cam Rod Comp.		
35	412793 Looper Cam Rod Comp.		
36	412794 Looper Cam Rod		
37	412795 Rod End		
38	544208-002 Rod End Set Screw		



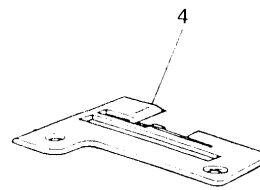
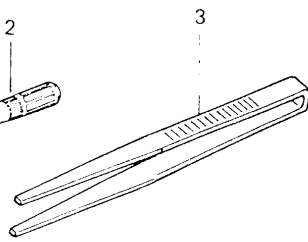
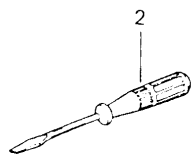
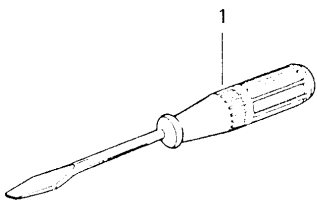
	PART NO.	DESCRIPTION	PART NO.	DESCRIPTION
1	376842	Knife (movable) Lever Comp.		
2	544204-001	Knife (movable) Lever Hing Stud Screw		
3	410310	Knife (movable) Lever Hing Stud		
5	410308	Knife (movable) Holder Collar Comp.		
6	544203-001	Knife (movable) Holder Coller Set Screw		
8	544407	Knife (movable) Screw		
9	412585	Knife (movable)		
10	412586	Knife (movable) Holder		
13	412584	Knife (movable) Comp.		
14	410307	Knife (movable) Holder Spring		
15	376841	Knife (movable) Lever Comp.		
16	410312-012	Knife (movable) Lever Driving Arm Comp.		
18	410316	Knife (movable) Forked Lever Stud Bushing		
19	544204-001	Knife (movable) Forked Lever Stud Bushing Set Screw		
20	410317	Knife (movable) Forked Lever comp.		
21	544204-001	Knife (movable) Forked Lever Screw(2)		
22	410296	Knife (stationary) Holder		
23	544207-011	Knife (stationary) Holder Screw(2)		
24	412749	Knife (stationary)		
25	410297	Knife (stationary) Clamping Plate		
26	544256	Knife (stationary) Clamping Plate Screw		
27	370226	Knife (stationary) Comp.		
28	370277	Needle Guard		
30	545180	Needle Guard Set Screw(2)		
31	410489	Knife (stationary) Holder Positioning Plate		
32	544211-002	Knife (stationary) Holder Positioning Plate Screw		



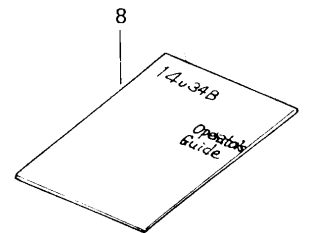
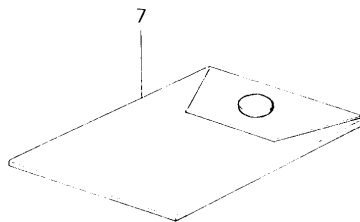
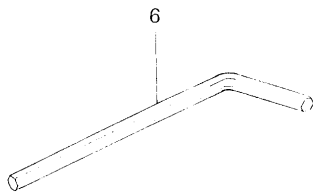
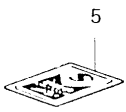
	PART NO.	DESCRIPTION		PART NO.	DESCRIPTION
1	410378	Feed Crank			
2	410380	Feed Crank Pin Center (small)			
3	376795	Feed Crank Pin Center (large)			
4	544204-001	Feed Crank Pin Center Screw(2)	41	410370	Feed Regulator Stud Bushing
5	410381	Feed Crank Pin	42	544204-001	Feed Regulator Stud Bushing Set Screw
6	543801-006	Feed Crank Pin Retaining Ring	43	410409	Feed Regulator Stud Collar Comp.
7	410382	Feed Crank Eccentric Pin Comp.	44	504007	Feed Regulator Stud Collar Screw
8	410399	Feed Bar Comp.	45	543801-007	Feed Crank Eccentric Pin Retaining Ring
9	544204-001	Feed Crank Pin Screw	47	412694	Throat Plate Position Screw
10	410387	Feed Lifting Cam Slide Block			
11	543818-010	Feed Lifting Cam Slide Block Retaining Ring			
12	410385	Feed Lifting Cam Comp.			
13	544204-001	Feed Lifting Cam Set Screw(2)			
14	410384	Feed Lifting Cam Comp.			
15	412730	Throat Plate			
16	504050-851	Throat Plate Screw			
17	412783	Feed Dog *			
18	544103	Feed Dog Screw(2)			
19	376852	Feed Regulator Crank Rod Comp.			
20	544204-001	Feed Crank Eccentric Pin Screw			
21	410363	Feed Crank Rod Pin			
24	543801-006	Feed Crank Rod Pin Retaining Ring			
25	410360	Feed Cam Comp.			
26	544203-001	Feed Cam Screw(2)			
27	410362	Feed Crank Rod			
28	543802-014	Feed Cam Retaining Ring			
30	376850	Feed Regulator Crank Rod Comp.			
35	544213-001	Feed Regulator Dial Spring Screw			
36	543803-004	Feed Regulator Dial Spring Washer			
37	376810	Feed Regulator Dial Spring			
38	412788-003	Feed Regulator Dial Comp.			



PART NO.	DESCRIPTION	PART NO.	DESCRIPTION
1	419087 Switch,Transformer,Lamp Holder Comp.	38	542766-001 Cord Holder
2	549324 Transformer Screw(2)	39	544039 Cord Holder Screw(upper)
3	543805-002 Transformer Spring Washer(2)		
4	412752 Transformer Bracket		
5	544212-001 Transformer Bracket Screw(2)		
6	544212-001 Lamp Holder Bracket Screw(2)		
8	419088 Lamp		
10	419375-002 Motor Comp. (for UL/CSA)		
12	544259 Motor Bracket Clamping Screw		
13	543805-005 Motor Bracket Clamping Screw Washer		
14	410252 Rotating Shaft Bushing (left)		
17	410470 Rotating Shaft Collar Comp.		
18	544204-001 Rotating Shaft Collar Set Screw(2)		
19	408730 Rotating Shaft Thrust Washer(2)		
20	410253 Rotating Shaft Bushing (right)		
22	376816 Rotating Shaft		
23	543801-010 Rotating Shaft Retaining Ring		
25	543809-004 Rotating Shaft Spring Pin		
26	376808 Rotating Shaft Comp.		
27	410268-002 Pulley		
28	543848 Pulley Set Screw Washer		
29	544270-001 Pulley Set Screw		
30	412721 Motor Belt		
31	419115-002 Controller Comp. (for UL/CSA)		
32	542766-001 Cord Holder		
33	544212-001 Cord Holder Screw		
34	412737 Cord Clamping Plate		
35	544212-001 Cord Clamping Plate Screw		
36	544212-001 Switch Bracket Screw(2)		
37	419376-903 Electrical Data Plate (for UL/CSA)		
37	419376-905 Electrical Data Plate (for UL)		



8



	PART NO.	DESCRIPTION		PART NO.	DESCRIPTION
1	541513	Driver (large)			
2	541514	Driver (small)			
3	376853	Tweezers			
4	412784	Throat Plate Comp.(for Rolled Hem)			
5	N2054-01-14	Needle(#14)			
6	543066	Hexagon Wrench Key			
7	541597	Attachment Pack			
8	379211-002	Operator's Guide			