

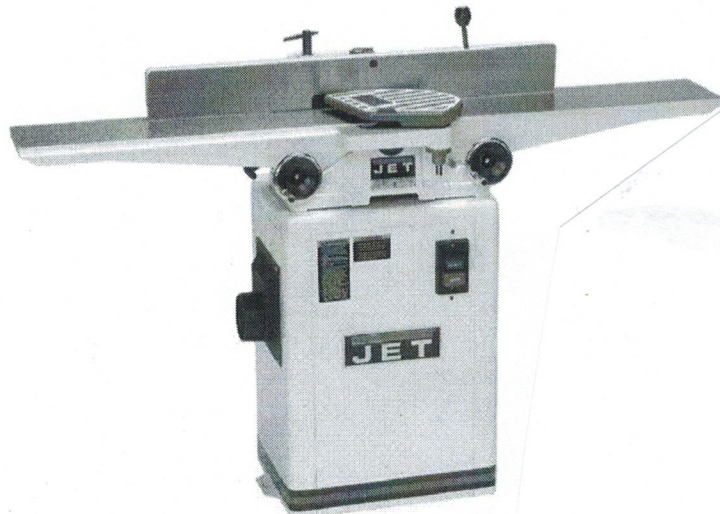
# JET<sup>®</sup>

**i3** DETROIT  
Imagine, Innovate & Inspire

[www.i3detroit.com](http://www.i3detroit.com)

## Operating Instructions and Parts Manual 6-inch Woodworking Jointer

Models JJ-6CSX, JJ-6CSDX, JJ-6HDX



JJ-6CSDX

**WALTER MEIER (Manufacturing) Inc.**

427 New Sanford Road  
LaVergne, Tennessee 37086  
Ph.: 800-274-6848  
[www.jettools.com](http://www.jettools.com)

**Part No. M-708457DX**

Revision B1 07/2012

Copyright © 2012 Walter Meier (Manufacturing) Inc.

# Warranty and Service

Walter Meier (Manufacturing), Inc., warrants every product it sells. If one of our tools needs service or repair, one of our Authorized Service Centers located throughout the United States can give you quick service. In most cases, any of these Walter Meier Authorized Service Centers can authorize warranty repair, assist you in obtaining parts, or perform routine maintenance and major repair on your JET® tools. For the name of an Authorized Service Center in your area call 1-800-274-6848.

## MORE INFORMATION

Walter Meier is consistently adding new products to the line. For complete, up-to-date product information, check with your local WMH Tool Group distributor, or visit [jettools.com](http://jettools.com).

## WARRANTY

JET products carry a limited warranty which varies in duration based upon the product (MW = Metalworking, WW = Woodworking).

90 DAY WARRANTY	1 YEAR WARRANTY	2 YEAR WARRANTY	5 YEAR WARRANTY	LIFE LIFETIME WARRANTY
Lathe Accessories Machine Accessories Mobile Bases Safety Equipment Specialty Items Vise Accessories	Air Tools- Contractor Air Tools-Industrial Air Tools-Light Industrial Lubrication	Body Repair Kits Bottle Jacks Cable Pullers Cold Saws Hoists-Air Hoists-Electric Metalforming Mill/Drills Milling Machines	MW Bandsaws MW Drill Presses MW Finishing Equipment MW Lathes MW Precision Vises Pallet Trucks Rigging Equip. Service Jacks	Stackers Surface Grinders Tapping Trolleys-Air Trolleys-Electric Web Slings Winches-Electric
			Beam Clamps Chain Hoist-Manual Lever Hoists Pullers-JCH Models Scissor Lift Tables Screw Jacks Trolleys-Gearred	Trolleys-Plain Winches-Manual WW Air Filtration WW Bandsaws WW Buffers WW Drill Presses WW Dust Collectors WW Dust Filters
			WW Dust Fittings WW Jointers WW Lathes WW Planers WW Sanders WW Shapers WW Tablesaws	Fastening Tools Mechanics Hand Tools Striking Tools Vises (non-precision) Clamps

## WHAT IS COVERED?

This warranty covers any defects in workmanship or materials subject to the exceptions stated below. Cutting tools, abrasives and other consumables are excluded from warranty coverage.

## WHO IS COVERED?

This warranty covers only the initial purchaser of the product.

## WHAT IS THE PERIOD OF COVERAGE?

The general JET warranty lasts for the time period specified in the product literature of each product.

## WHAT IS NOT COVERED?

Five Year Warranties do not cover woodworking (WW) products used for commercial, industrial or educational purposes. Woodworking products with Five Year Warranties that are used for commercial, industrial or education purposes revert to a One Year Warranty. This warranty does not cover defects due directly or indirectly to misuse, abuse, negligence or accidents, normal wear-and-tear, improper repair or alterations, or lack of maintenance.

## HOW TO GET SERVICE

The product or part must be returned for examination, postage prepaid, to a location designated by us. For the name of the location nearest you, please call 1-800-274-6848.

You must provide proof of initial purchase date and an explanation of the complaint must accompany the merchandise. If our inspection discloses a defect, we will repair or replace the product, or refund the purchase price, at our option. We will return the repaired product or replacement at our expense unless it is determined by us that there is no defect, or that the defect resulted from causes not within the scope of our warranty in which case we will, at your direction, dispose of or return the product. In the event you choose to have the product returned, you will be responsible for the shipping and handling costs of the return.

## HOW STATE LAW APPLIES

This warranty gives you specific legal rights; you may also have other rights which vary from state to state.

## LIMITATIONS ON THIS WARRANTY

WALTER MEIER LIMITS ALL IMPLIED WARRANTIES TO THE PERIOD OF THE LIMITED WARRANTY FOR EACH PRODUCT. EXCEPT AS STATED HEREIN, ANY IMPLIED WARRANTIES OR MERCHANTABILITY AND FITNESS ARE EXCLUDED. SOME STATES DO NOT ALLOW LIMITATIONS ON HOW LONG THE IMPLIED WARRANTY LASTS, SO THE ABOVE LIMITATION MAY NOT APPLY TO YOU.

WALTER MEIER SHALL IN NO EVENT BE LIABLE FOR DEATH, INJURIES TO PERSONS OR PROPERTY, OR FOR INCIDENTAL, CONTINGENT, SPECIAL, OR CONSEQUENTIAL DAMAGES ARISING FROM THE USE OF OUR PRODUCTS. SOME STATES DO NOT ALLOW THE EXCLUSION OR LIMITATION OF INCIDENTAL OR CONSEQUENTIAL DAMAGES, SO THE ABOVE LIMITATION OR EXCLUSION MAY NOT APPLY TO YOU.

Walter Meier sells through distributors only. The specifications in Walter Meier catalogs are given as general information and are not binding. Members of Walter Meier reserve the right to effect at any time, without prior notice, those alterations to parts, fittings, and accessory equipment which they may deem necessary for any reason whatsoever. JET®-branded products are not sold in Canada by Walter Meier.

# Table of Contents

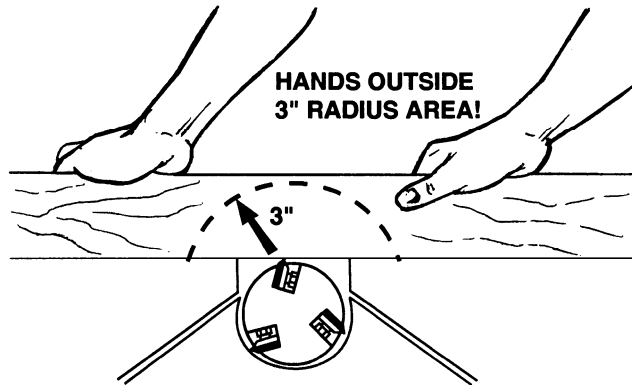
Warranty and Service .....	2
Table of Contents .....	3
Warnings .....	4
Introduction .....	6
Specifications .....	7
Unpacking .....	8
Assembly .....	9
Electrical .....	12
Adjustments .....	13
Operating Controls .....	22
Operation .....	22
Maintenance.....	25
Lubrication.....	27
Troubleshooting Operating Problems.....	28
Troubleshooting Mechanical and Electrical Problems.....	29
Optional Accessories .....	29
Parts .....	30
Fence – Parts All Models .....	30
Fence – Assembly All Models.....	31
Stand – Parts, JJ-6CSX and JJ-6CSDX .....	32
Stand – Parts, JJ-6HHDX only .....	34
Stand – Assembly, JJ-6HHDX only .....	35
Bed – Parts All Models.....	36
Cutterhead – Parts and Assembly JJ-6CSX .....	38
Cutterhead – Parts and Assembly JJ-6CSDX.....	39
Cutterhead – Parts and Assembly JJ-6HHDX.....	40
Wiring Diagram – All Models .....	41

# Warnings

1. Read and understand the entire owner's manual before attempting assembly or operation.
2. Read and understand the warnings posted on the machine and in this manual. Failure to comply with all of these warnings may cause serious injury.
3. Replace the warning labels if they become obscured or removed.
4. This Woodworking Jointer is designed and intended for use by properly trained and experienced personnel only. If you are not familiar with the proper and safe operation of a woodworking jointer, do not use until proper training and knowledge have been obtained.
5. Do not use this Jointer for other than its intended use. If used for other purposes, Walter Meier (Manufacturing), Inc., disclaims any real or implied warranty and holds itself harmless from any injury that may result from that use.
6. Always wear approved safety glasses/face shields while using this woodworking jointer. Everyday eyeglasses only have impact resistant lenses; they are not safety glasses.
7. Before operating this woodworking jointer, remove tie, rings, watches and other jewelry, and roll sleeves up past the elbows. Remove all loose clothing and confine long hair. Non-slip footwear or anti-skid floor strips are recommended. Do **not** wear gloves.
8. Wear ear protectors (plugs or muffs) during extended periods of operation.
9. Some dust created by power sanding, sawing, grinding, drilling and other construction activities contain chemicals known to cause cancer, birth defects or other reproductive harm. Some examples of these chemicals are:
  - Lead from lead based paint.
  - Crystalline silica from bricks, cement and other masonry products.
  - Arsenic and chromium from chemically treated lumber.Your risk of exposure varies, depending on how often you do this type of work. To reduce your exposure to these chemicals, work in a well-ventilated area and work with approved safety equipment, such as face or dust masks that are specifically designed to filter out microscopic particles.
10. Do not operate this machine while tired or under the influence of drugs, alcohol or any medication.
11. Make certain the switch is in the **OFF** position before connecting the machine to the power source.
12. Make certain the machine is properly grounded.
13. Make all machine adjustments or maintenance with the machine unplugged from the power source.
14. Remove adjusting keys and wrenches. Form a habit of checking to see that keys and adjusting wrenches are removed from the machine before turning it on.
15. Keep safety guards in place at all times when the machine is in use. If removed for maintenance purposes, use extreme caution and replace the guards immediately.
16. Make sure the woodworking jointer is firmly secured to the floor or bench before use.
17. Check damaged parts. Before further use of the machine, a guard or other part that is damaged should be carefully checked to determine that it will operate properly and perform its intended function. Check for alignment of moving parts, binding of moving parts, breakage of parts, mounting and any other conditions that may affect its operation. A guard or other part that is damaged should be properly repaired or replaced.
18. Provide for adequate space surrounding work area and non-glare, overhead lighting.
19. Keep the floor around the machine clean and free of scrap material, oil and grease.

# Warnings

20. Keep visitors a safe distance from the work area. **Keep children away.**
21. Make your workshop child proof with padlocks, master switches or by removing starter keys.
22. Give your work undivided attention. Looking around, carrying on a conversation and “horse-play” are careless acts that can result in serious injury.
23. Maintain a balanced stance at all times so that you do not fall or lean against the cutterhead or other moving parts. Do not overreach or use excessive force to perform any machine operation.
24. Use the right tool at the correct speed and feed rate. Do not force a tool or attachment to do a job for which it was not designed. The right tool will do the job better and safer.
25. Use recommended accessories; improper accessories may be hazardous.
26. Maintain tools with care. Keep knives sharp and clean for the best and safest performance. Follow instructions for lubricating and changing accessories.
27. Turn off the machine before cleaning. Use a brush or compressed air to remove chips or debris — do not use your hands.
28. Do not stand on the machine. Serious injury could occur if the machine tips over.
29. Never leave the machine running unattended. Turn the power off and do not leave the machine until it comes to a complete stop.
30. Before turning on machine, remove all extra equipment such as keys, wrenches, scrap, stock, and cleaning rags away from the machine.
31. At all times hold the stock firmly. Always use a hold-down or push block when surfacing stock less than 12 inches long, or 3 inches wide, or 3 inches thick.
32. Do not perform jointing operations on material shorter than 8", narrower than 3/4" or less than 1/4" thick.
33. The hands must never be closer than 3 inches to the cutterhead (see Figure).
34. Never apply pressure to stock directly over the cutterhead. This may result in the stock tipping into the cutterhead along with the operator's fingers. Position hands away from extreme ends of stock, and push through with a smooth, even motion. Never back workpiece toward the infeed table.
35. Do not make cuts deeper than 1/2" when rabbeting. On other cuts such as edging, surfacing, etc., depth of cut should not be over 1/8" to avoid overloading the machine and to minimize chance of kickback.
36. To avoid kickback, the grain must run in the same direction you are cutting. Before attempting to joint, or plane, each work piece must be carefully examined for stock condition and grain orientation.
37. When working with a swirl grain wood or burls, making it necessary to plane against the grain, use a lesser depth of cut and a slow rate of feed.
38. Move the hands in an alternate motion from back to front as the work continues through the cut. Never pass the hands directly over the cutter knife. As one hand approaches the knives remove it from the stock in an arc motion and place it back on the stock in a position beyond the cutter knife



Familiarize yourself with the following safety notices used in this manual:

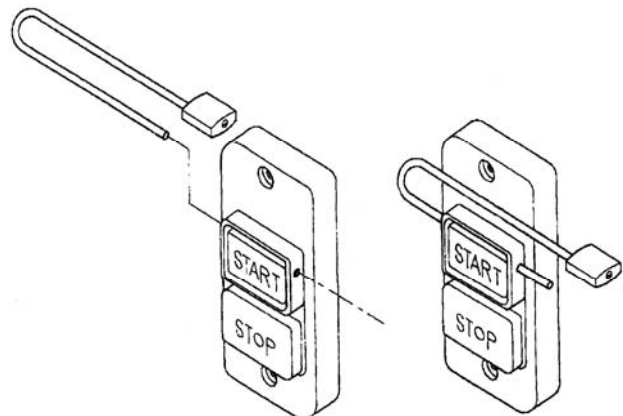
**CAUTION** This means that if precautions are not heeded, it may result in minor injury and/or possible machine damage.

**WARNING** This means that if precautions are not heeded, it may result in serious injury or possibly even death.

**- - SAVE THESE INSTRUCTIONS - -**

### On-Off Switch Padlock

The jointer is equipped with a push-button switch that will accept a safety padlock (see figure – not included). To safeguard your machine from unauthorized operation and accidental starting by young children, the use of a padlock is highly recommended. JET model PD-LK-1 (Stock No. 709012) is available from your local authorized JET distributor or by calling Walter Meier (Manufacturing), Inc., at the phone number on the cover of this manual.



*Model PD-LK-1 On-Off Switch Padlock*

## Introduction

This manual is provided by WMH Tool Group covering the safe operation and maintenance procedures for Models JJ-6CSX, JJ-6CSDX and JJ-6HDX Jointers. This manual contains instructions on installation, safety precautions, general operating procedures, maintenance instructions and parts breakdown. This machine has been designed and constructed to provide years of trouble free operation if used in accordance with instructions set forth in this manual. If there are any questions or comments, please contact your local supplier or Walter Meier, or visit our web site: [www.jettools.com](http://www.jettools.com).

# Specifications

Model	JJ-6CSX	JJ-6CSDX
Stock Number – Bed and Stand Kit.....	708457K.....	708457DXK
Stock Number – Bed Assembly .....	708457J.....	708457DXJ
Stock Number Stand.....	708457S.....	708457DXS
Cutting Capacity .....	6-1/16"W x 1/2"D.....	6-1/16"W x 1/2"D
Cutterhead Speed .....	4800 RPM.....	6000 RPM
Number of Knives.....	3.....	3
Rabbeting Capacity .....	1/2".....	1/2"
Rabbet Ledge.....	3-1/8" x 8-3/4".....	3-1/8" x 8-3/4"
Table Surface.....	7-3/8"W x 45-3/4"L x 31-1/4"H.....	7-3/8"W x 56"L x 31-1/4"H
Fence.....	3-7/8"H x 29-1/8"L.....	3-7/8"H x 32-3/4"L
Knife Size.....	6-1/16" x 5/8" x 1/8"T.....	6-1/16" x 3/4" x 5/64"T
Fence Tilt.....	45°L, 45°R.....	45°L, 45°R
Positive Stops.....	45°L, 90°, 45°R.....	45°L, 90°, 45°R
Motor.....	1HP, 1Ph, 60Hz, 115/230V.....	1HP, 1Ph, 60Hz, 115/230V
	pre-wired 115V	pre-wired 115V
Net Weight (approx.).....	215 lbs.....	237 lbs
Shipping Weight .....	230 lbs.....	258 lbs

Model	JJ-6HHDX
Stock Number – Bed and Stand Kit.....	708466DXK
Stock Number – Bed Assembly .....	708466DXJ
Stock Number Stand.....	708466S
Cutting Capacity .....	6"W x 1/2"D
Cutterhead Speed .....	6000 RPM
Number of Knives.....	27 four-sided inserts
Number of Rows in Cutterhead.....	4
Table Surface.....	7-3/8"W x 56"L x 31-1/4"H
Fence.....	3-7/8"H x 32-3/4"L
Knife Insert Size .....	0.59"L x 0.59"W x 0.10T
Fence Tilt .....	45°L, 45°R
Positive Stops.....	45°L, 90°, 45°R
Motor.....	1HP, 1Ph, 60Hz, 115/230V (pre-wired 115V)
Net Weight (approx.).....	237 lbs
Shipping Weight .....	258 lbs

The above specifications were current at the time this manual was published, but because of our policy of continuous improvement, Walter Meier (Manufacturing), Inc., reserves the right to change specifications at any time and without prior notice, without incurring obligations.

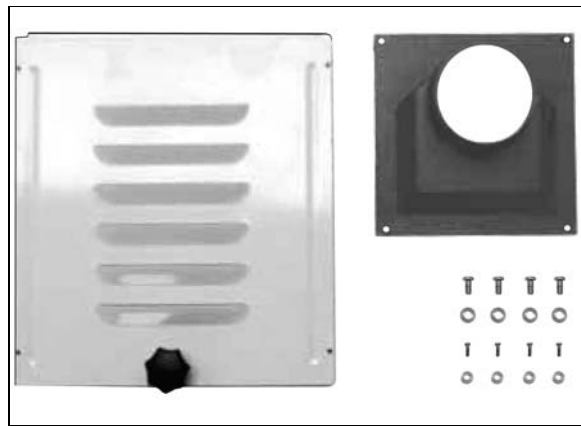
## Unpacking

This unit is shipped in two cartons. Open both cartons and check for shipping damage. Report any damage immediately to your distributor and shipping agent. Do not discard any shipping material until the Jointer is assembled and running properly.

Compare the contents of your cartons with the following parts list to make sure all parts are intact. Missing parts, if any, should be reported to your distributor. Read the instruction manual thoroughly for assembly, maintenance and safety instructions.

### Stand Carton

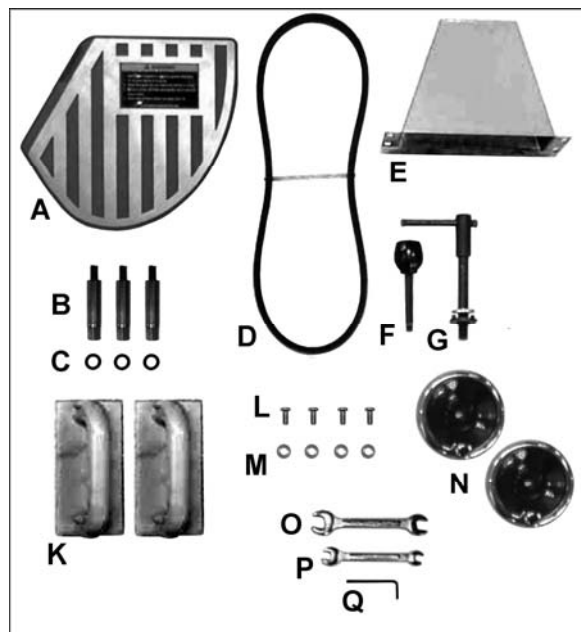
- 1 Stand with Motor
- 1 Stand Cover with Mounting Hardware
- 1 Dust Chute with Mounting Hardware
- 1 Pedestal Switch with Mounting Hardware (*JJ-6HHDX only*)



Stand Carton

### Main Unit Carton

- 1 Bed Assembly
- 1 Fence Assembly
- 1 Cutterhead Guard (A)
- 1 Belt Guard (E)
- 1 V-Belt (D)
- 4 1/4-20 x 1/2 Pan Head Screws (L)
- 4 1/4 Flat Washers (M)
- 1 Lock Handle, Flat Washer, and Lock Nut for Fence (G)
- 1 Fence Handle (F)
- 3 Lock Bolts (B)
- 3 3/8" Lock Washers (C)
- 2 Handwheel Assembly (N)
- 2 Push Blocks (K)
- 1 Operating Instructions and Parts Manual
- 1 Warranty Card



Main Unit Carton

### Tools Included for JJ-6CSX

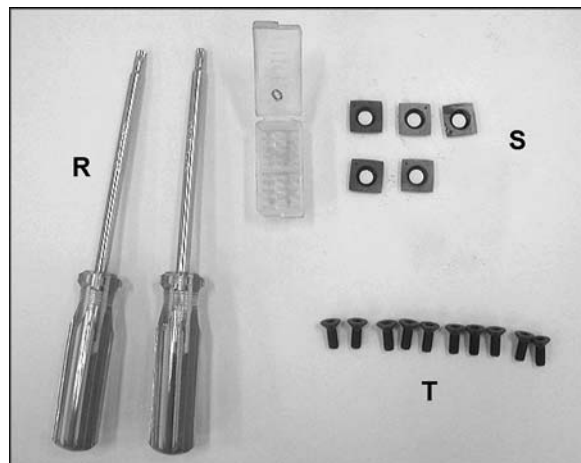
- 1 12/14mm Open End Wrench (O)
- 1 8/10mm Open End Wrench (P)
- 1 3mm Hex Wrench (Q)

### Tools Included for JJ-6CSDX

- 1 12/14mm Open End Wrench (O)
- 1 8/10mm Open End Wrench (P)
- 1 3mm Hex Wrench (Q)
- 1 4mm T-Hex Wrench
- 1 8mm Hex Wrench

### Tools included for JJ-6HHDX:

- 1 12/14mm Open End Wrench (O)
- 1 8/10mm Open End Wrench (P)
- 1 3mm Hex Wrench (Q)
- 1 6mm Hex Wrench
- 2 Star Point Screwdrivers (R)
- 5 Knife Inserts (S)
- 10 Knife Insert Screws (T)



Tools included for Model JJ-6HHDX only



# Assembly

## Unpacking and Cleanup

1. Carefully finish removing all contents from both shipping cartons. Compare contents of the shipping cartons with the list of contents above. Place parts on a protected surface.
2. Set packing material and shipping cartons to the side. Do not discard until machine has been set up and is running properly.
3. Clean all rust protected surfaces (bed, fence, etc.) with kerosene or diesel oil. Do not use gasoline, paint thinner, mineral spirits, etc. These may damage painted surfaces.

**⚠WARNING** Cutterhead knives are dangerously sharp! Use extreme caution when cleaning.

4. Apply a thin layer of paste wax to the bright surfaces of the fence and tables to prevent rust.

## Installing Bed to Stand

Referring to Figure 1:

1. Place bed assembly (A) on top of stand (B). Be sure the identification label (C) on the bed faces the same direction as the switch (D) on the stand.
2. Line up two holes in the stand top (E) with holes in the bed assembly by viewing through the access door in rear side of the stand.
3. Attach stand to bed assembly by using two 3/8" lock bolts and lock washers (Figure 2). Hand tighten only at this time.
4. Line up the third hole in the stand (F) with the hole in the bed assembly by viewing through the dust chute (G).
5. Install the third 3/8" lock bolt and lock washer through the dust chute (G) to secure the bed to the stand.
6. Tighten all three lock bolts with a 14mm wrench.

## Installing Pedestal Switch (JJ-6HHDX)

Referring to Figure 3:

1. The switch may be installed in either high position or low position to suit the operator. Slide the connection plug through the opening (A) and secure the pedestal switch using two 5/16"x3" screws (C) and 5/16" flat washers (B).
2. Connect the plug of the pedestal switch to the motor plug inside the cabinet.

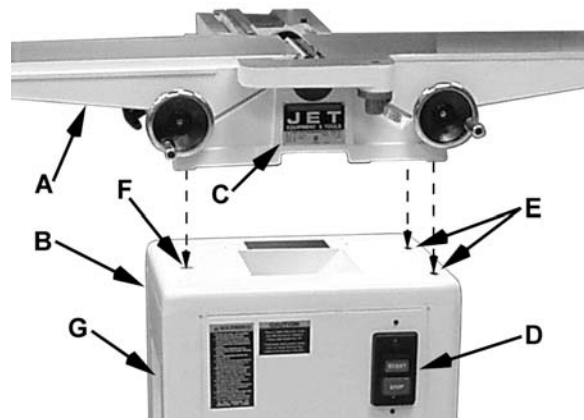


Figure 1

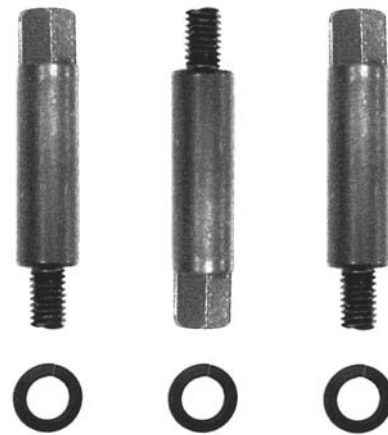


Figure 2

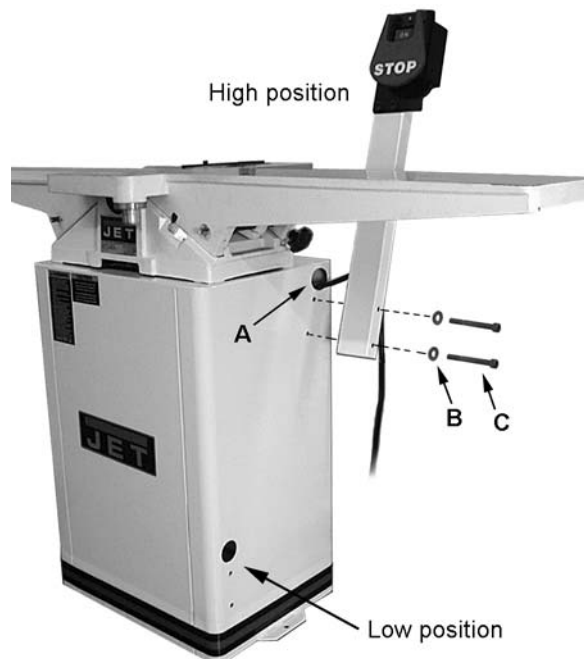


Figure 3

## Installing Fence to Bed

Referring to Figure 3a:

1. Take the lock handle (E), flat washer (F), and lock nut (G) from the carton.
2. Place the fence assembly (A) onto the table (B). Be sure the key stock (D) on the bed lines up with the channel (C) in the fence casting.
3. Place the flat washer (F) on hole (H)\*; insert the lock handle (E) through the fence casting and the table casting.
4. Thread the lock nut (G) onto the lock handle (E). Make sure the tab on the nut faces up and engages the slot in the table casting.

**\*Note:** For rabbeting operations use hole (J).

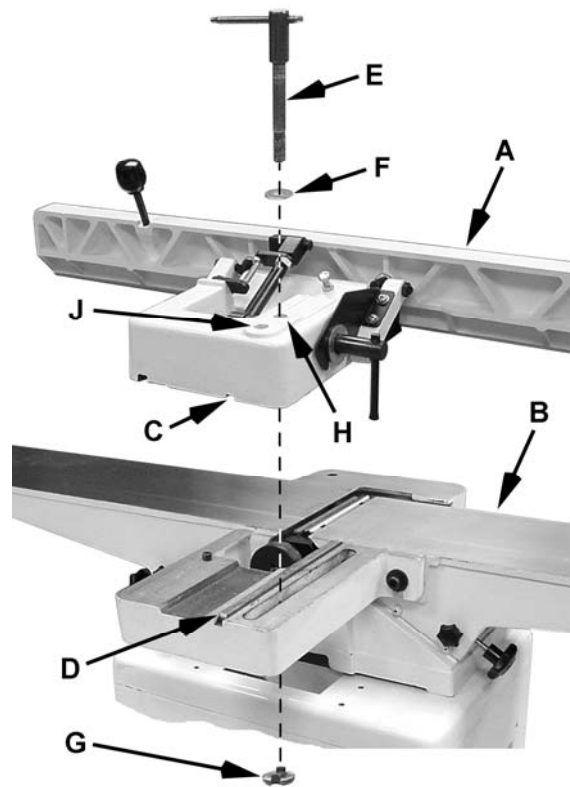


Figure 3a

## Installing the Drive Belt

Referring to Figure 4:

1. Place V-belt (A) onto cutterhead pulley (B) and through opening in stand.
2. Pull V-belt down and place onto motor pulley (C).

**Note:** If the belt is difficult to roll on the pulley, loosen the motor mounting screws.

3. Check to make sure that motor pulley and cutterhead pulley are vertically aligned and the V-belt does not contact the sides of the opening in the base. If the pulleys are not aligned, remove belt and adjust the motor pulley in or out on the motor shaft and then re-attach the belt.

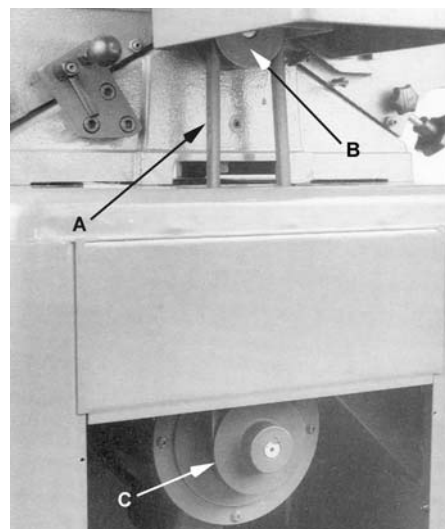


Figure 4

4. The V-belt is properly tensioned when finger pressure on the belt half way between the two pulleys causes 1/2" deflection (Figure 5). If the belt is too loose, loosen the four motor mount bolts, push down on the motor to tension the V-belt, and tighten the mounting bolts.
5. A new belt may have a tendency to stretch slightly until broken in. After two hours of operation, check belt tension again. Readjust the tension if necessary.

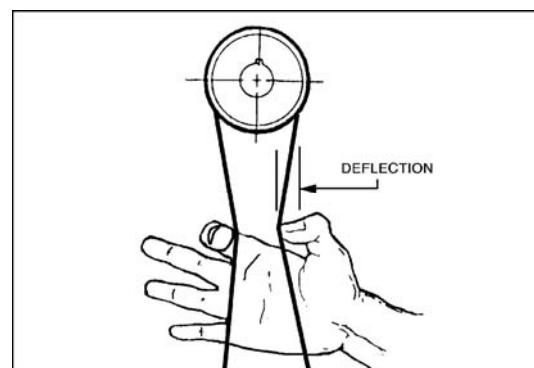


Figure 5

## Installing Belt Guard

Referring to Figure 6:

1. Place the belt guard (A) over the opening in the stand.
2. Line up the holes in the stand with the holes in the guard.
3. Attach the guard to the stand using four 1/4-20 x 1/2" pan head machine screws (B) and four 1/4" flat washers (C).

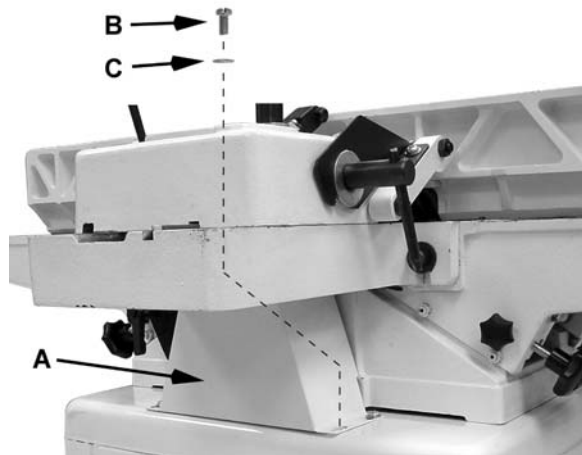


Figure 6

## Installing Cutterhead Guard

1. Remove the *screw* from the guard *post*.

Referring to Figure 7:

2. Turn *spring knob* (B) approximately one and one half revolutions counter-clockwise (as viewed from the top) and hold.
3. Insert the *guard post* into hole in table. Make sure that the spring inside the spring knob (B) engages the slot in guard post.
4. Thread the *screw* (C) back into the *guard post*.
5. Check for proper operation. The *cutterhead guard* (A) must return fully to the fence when released. If guard does not return fully, pull guard, apply more tension to the *spring knob* (B) by turning it another half turn counter-clockwise, and re-insert guard. If guard closes too quickly and strikes fence too hard, release some tension on the spring.
6. Insert *screw* (C) back into the guard post.

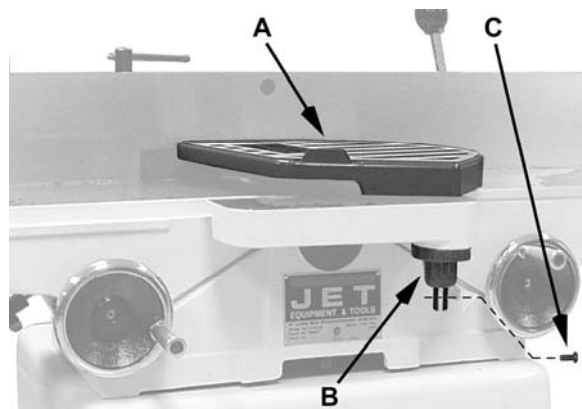


Figure 7

## Installing Access Cover

Referring to Figure 8:

Install *access cover* (A) by placing bottom of panel in the stand and fastening with four #5-40 x 3/8" pan head screws and four flat washers (B).

## Installing Dust Chute

Referring to Figure 8:

Attach the dust chute (C) to the base with four 1/4" x 1/2" machine screws and four 1/4" washers (D).

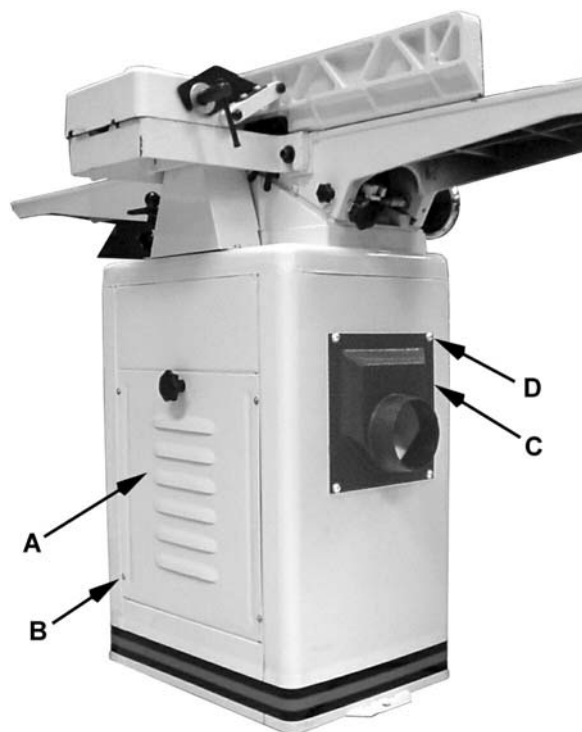


Figure 8

# Electrical

## Grounding Instructions

**CAUTION** This jointer must be grounded while in use to protect the operator from electric shock.

In the event of a malfunction or breakdown, grounding provides a path of least resistance for electric current to reduce the risk of electric shock. This tool is equipped with an electric cord having an equipment-grounding conductor and a grounding plug. The plug must be plugged into a matching outlet that is properly installed and grounded in accordance with all local codes and ordinances.

Do not modify the plug provided. If it will not fit the outlet, have the proper outlet installed by a qualified electrician. Improper connection of the equipment-grounding conductor can result in a risk of electric shock. The conductor, with insulation having an outer surface that is green with or without yellow stripes, is the equipment-grounding conductor. If repair or replacement of the electric cord or plug is necessary, do not connect the equipment-grounding conductor to a live terminal.

Check with a qualified electrician or service personnel if the grounding instructions are not completely understood, or if in doubt as to whether the tool is properly grounded. Use only three wire extension cords that have three-prong grounding plugs and three-pole receptacles that accept the tool's plug.

Repair or replace a damaged or worn cord immediately.

## 115 Volt Operation

Referring to Figure 9:

As received from the factory, your Woodworking Jointer is ready to run at 115-volt operation. This Woodworking Jointer, when wired for 115 volt, is intended for use on a circuit that has an outlet and a plug that look like the ones illustrated in (A). A temporary adapter, which looks like the adapter shown in (B), may be used to connect this plug to a two-pole receptacle if a properly grounded outlet is not available.

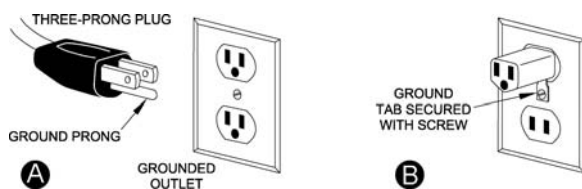


Figure 9

The temporary adapter should only be used until a properly grounded outlet can be installed by a qualified electrician. This adapter is not applicable in Canada. The green colored rigid ear, lug, or tab, extending from the adapter, must be connected to a permanent ground such as a properly grounded outlet box.

## 230 Volt Operation

Referring to Figure 10:

If 230V, single-phase operation is desired, the following instructions must be followed:

1. Disconnect the machine from the power source.
2. The Jointer motor has four numbered leads that are factory connected for 115V operation, as shown in (A). For 230V operation reconnect the leads as shown in (B).
3. The 115V attachment plug (C) supplied with the Woodworking Jointer must be replaced with a UL/CSA listed plug suitable for 230V operation (D). Contact your local Authorized JET Service Center or qualified electrician for proper procedures to install the plug. The Woodworking Jointer must comply with all local and national codes after the 230-volt plug is installed.
4. The Woodworking Jointer with a 230-volt plug should only be connected to an outlet having the same configuration as shown in (D). No adapter is available nor should be used with the 230-volt plug.

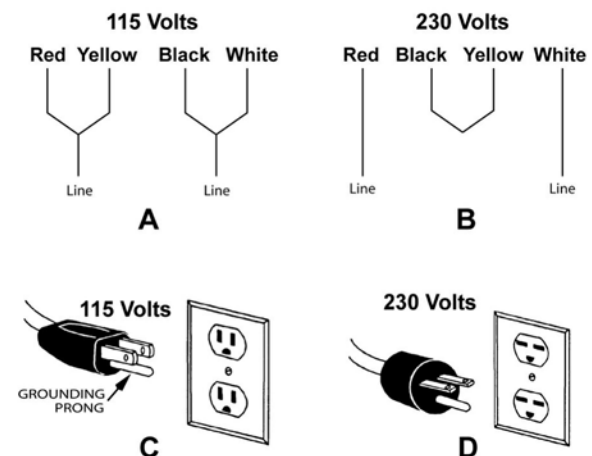


Figure 10

## Extension Cords

Make sure your extension cord is in good condition. When using an extension cord, be sure to use one heavy enough to carry the current your machine will draw. An undersized cord will cause a drop in the line voltage resulting in power loss and overheating. Table 1 shows the correct size to use depending on the cord length and nameplate ampere rating. If in doubt, use the next heavier gauge. Remember, the smaller the gauge number, the heavier the cord.

## Adjustments

### Drive Belt Tension

See step 4 of *Installing the Drive Belt*.

### Fence Movement

The fence can be moved forward or backward across the width of the table (B, Fig. 11). It also tilts up to 45 degrees forward and has a positive stop at 90 degrees.

#### To slide fence forward or backward

When edge jointing, the fence assembly should periodically be moved to different positions to distribute wear on the cutterhead knives.

1. Loosen the *locking handle* (A, Fig. 11).
2. Push the entire fence assembly (B, Fig. 11) to the desired position, and tighten the locking handle.

#### To tilt fence forward

The fence can be tilted forward to any angle down to 45 degrees.

1. Loosen locking handle (C, Figure 12).
2. Move the lever forward (A, Figure 12) to the desired angle down to 45 degrees. Or you can place your reference piece on the table and against the fence, and adjust the fence until the angle of the fence matches the bevel of your gauge piece.
3. Tighten locking handle (C, Figure 12).

#### To tilt fence backward

1. The fence can be tilted backward up to 45° (that is, for a total included angle of 135° from table surface).
2. Loosen locking handle (C, Fig. 12).
3. Flip the 90° stop block (D, Fig. 12) out of the way.
4. Move the lever (B, Fig. 12) back to the desired angle up to 135 degrees. Or you can place

## Recommended Extension Cord Gauges (AWG)

Amps	Extension Cord Length in Feet *					
	25	50	75	100	150	200
< 5	16	16	16	14	12	12
5 to 8	16	16	14	12	10	NR
8 to 12	14	14	12	10	NR	NR
12 to 15	12	12	10	10	NR	NR
15 to 20	10	10	10	NR	NR	NR
21 to 30	10	NR	NR	NR	NR	NR

\*based on limiting the line voltage drop to 5V at 150% of the rated amperes.

NR: Not Recommended.

Table 1

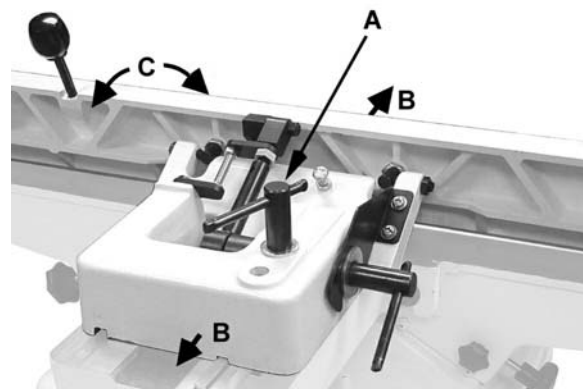


Figure 11

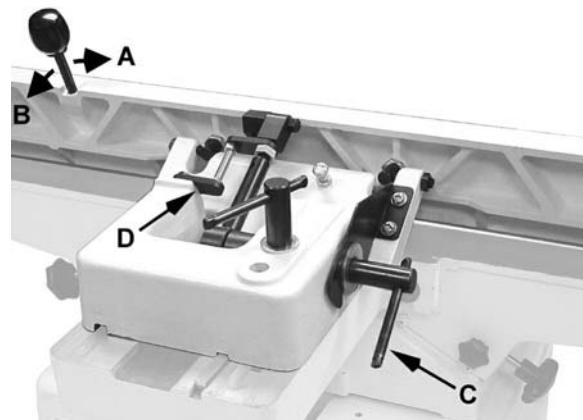


Figure 12

your beveled reference piece on the table and against the fence, adjusting the fence until the angle of the fence matches the bevel of your gauge piece.

5. Tighten locking handle (C, Fig 12).

**Important:** When the tilted operation is finished and the fence is returned to 90°, do not forget to flip the 90° stop block (D, Fig. 12) back to its original position.

## Fence Stop Adjustments

Periodically check the 90° and 45° backward (135°) tilt accuracy of the fence with an angle measuring device, such as an adjustable square or machinist's protractor.

### 90° Fence Adjustment

Referring to Figure 13:

The 90° stop is controlled by the *stop bolt* (E) and the *stop plate* (C).

1. Set the infeed table to approximately the same height as the outfeed table.
2. Move the fence by releasing *lock handle* (D) and pushing the fence assembly until it overlaps the tables (B).
3. Tighten *lock handle* (D).
4. Adjust the fence to a 90° angle by releasing *lock handle* (J), pulling up on the *fence handle* (A), and tightening the *lock handle* (J).

**Note:** The *stop bolt* (E) should be resting against the *stop plate* (C).

5. Place an angle measuring device on the table and against the fence to confirm a 90° setting (A, Fig. 14).
6. If the fence is not square to the table, release the *lock handle* (J), loosen the hex nut (F), and turn the *stop bolt* (E) until the fence is square to the table.
7. Tighten the lock nut (F) to retain the setting. Tighten the lock handle (J).

### 45° Fence Backward Stop Adjustment

Referring to Figure 15:

The 45° fence backward stop (fence positioned away from the operator) is controlled by the *stop bolt* (E).

1. Loosen the lock handle (A). Move the stop plate (D) out of the way and position the fence at the 135° angle. Make sure the fence sits against the stop bolt. (E).
2. Tighten the lock handle (A)
3. Place an angle measuring device on the table and against the fence to confirm a 135° setting (A. Fig. 16).
4. To adjust, loosen the lock nut (F), turn the stop bolt (E) until a 135° angle is obtained.
5. Tighten the lock nut (F).

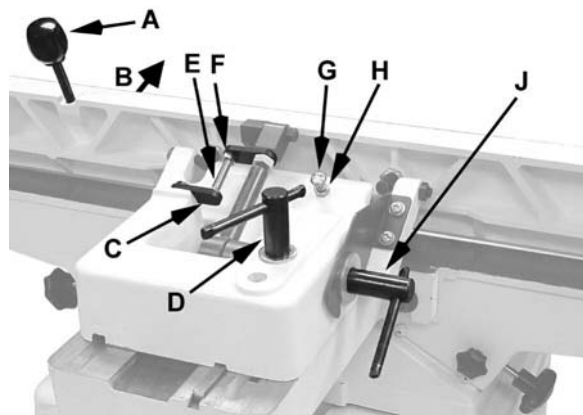


Figure 13

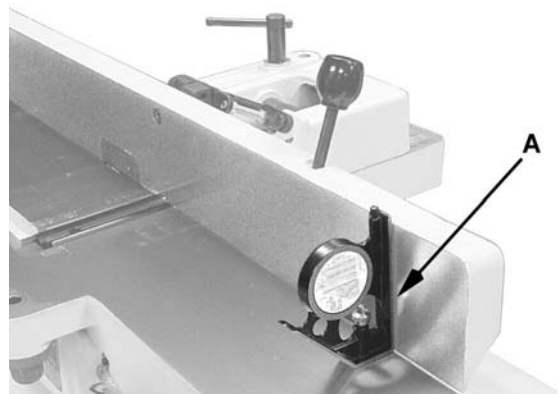


Figure 14

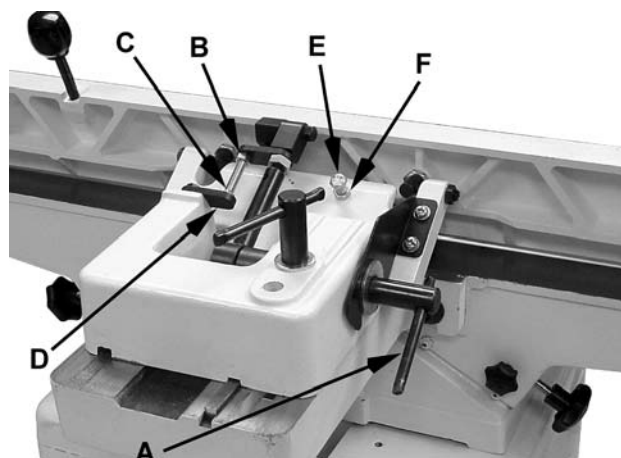


Figure 15

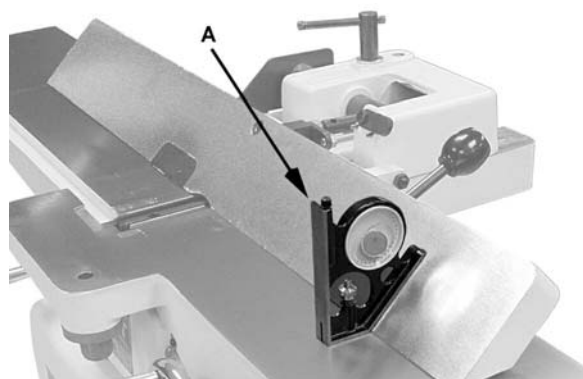


Figure 16

## Infeed Table Depth Stop

Referring to Figure 17:

The *infeed table depth stop* (A) limits the depth of a cut (set by adjusting the infeed table handwheel) to a maximum depth of 1/8". For normal operations, the depth of cut should never exceed 1/8", except for rabbeting operations.

If a rabbeting operation is desired:

1. Lower the infeed table to 1/8", which will cause the depth stop limiter to engage.
2. Loosen the lock handle (B) and pull out on the stop handle (C).
3. Continue lowering the table to the desired depth of cut.

**Important:** Never override the depth stop limiter unless performing rabbeting operations.

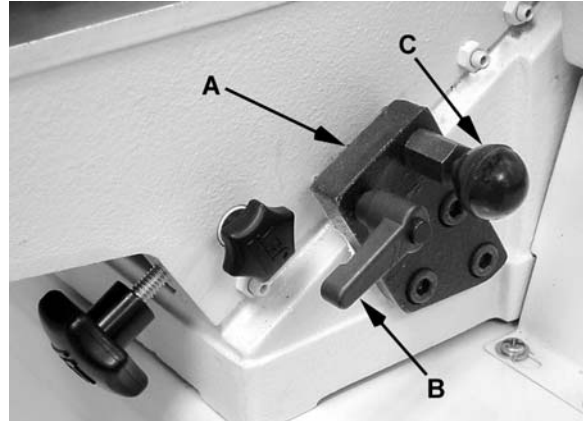


Figure 17

## Gib Adjustment

After a period of use, the gibs may become loose and need adjusting.

To adjust (refer to Figure 18):

1. Loosen setscrew locknuts (A) and gib lock screws (B).

**Note:** The infeed table has three gib adjustment screws A (Infeed). The outfeed table has two gib adjustment screws A (Outfeed) and two gib lock wing screws (B).

2. Tighten each setscrew 1/4 turn starting at the bottom and working up. If a 1/4 turn does not remove all play, take another 1/4 turn. Repeat a 1/4 turn at a time for all three (or two) set screws until play is removed.
3. Tighten wing screws (B) and lock nuts (A).

**Important:** If gibs are adjusted, also perform the *Outfeed Table Adjustment* to ensure the proper knife height in relation to the outfeed table.

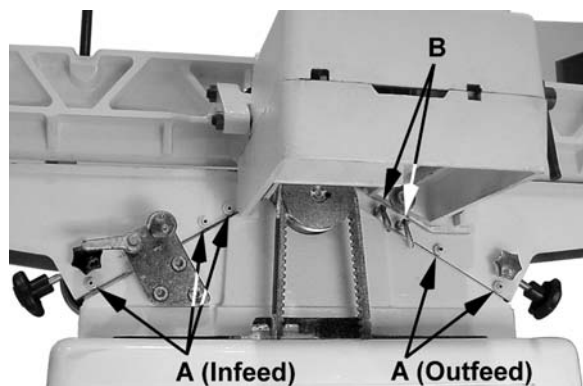


Figure 18

## Setting Cutterhead Knives (JJ-6CSX)

**⚠WARNING** Cutterhead knives are dangerously sharp! Use extreme caution when inspecting, removing, sharpening or replacing knives into the cutterhead. Failure to comply may cause serious injury!

1. Carefully number each blade with a magic marker to make them easier to differentiate.
2. Rotate the cutterhead by turning the cutterhead pulley and determine the 12 o'clock position of knife number one. The 12 o'clock position is the highest point a blade will reach in the cutting arc.
3. Loosen table lock screw (A, Fig. 19) and gib lock screw (B, Fig. 19) and raise the outfeed table to the height of blade number one by turning hand wheel (A, Fig. 20). Counter-clockwise will cause the outfeed table to raise. Clockwise will cause the outfeed table to lower. Set a straight edge on the outfeed table. Position of the table and straight edge should look like Figure 21. Use care when handling the straight edge near the blades so as not to damage them.
4. When the outfeed table and blade number one are the same height, tighten gib and table lock screws.

**Important:** Do not change the setting for the outfeed table again. This will only change if the blades are replaced.

5. Bring the straight edge toward the left of the jointer and confirm that blade number one is at the same height at the left of the table as it is at the right side of the table. (Fig. 22)
6. If blade is higher or lower at the right of the table than it is at the left, slightly loosen four screws (A, Fig. 21) by turning clockwise as viewed from the infeed table. Blades are adjusted with jacking screws To lower, turn the screw clockwise. To raise, turn the screw counter-clockwise.

Blades are set at the proper height when the top of the blades are 1/16" above the cutterhead.

7. Alternately tighten four screws to hold each blade in place.
8. Repeat this process with blades two and three.

The outfeed table and cutterhead knives are correctly adjusted when all three blades are parallel to the outfeed table and all three blades are set at the same height in the cutterhead.



Figure 19



Figure 20

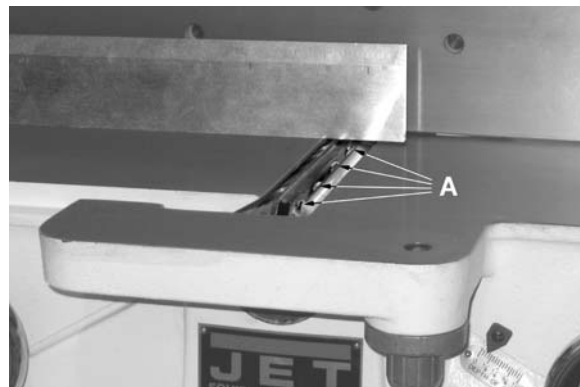


Figure 21



Figure 22



## Replacing Knives (JJ-6CSX)

**⚠WARNING** Planer knives are dangerously sharp. Use extreme caution when inspecting, removing, sharpening, or replacing knives into the cutterhead. Failure to comply may cause serious injury.

1. Disconnect machine from the power source.
2. Remove blade guard by turning the *knob* (A, Fig. 23) clockwise while lifting up on blade guard.

**⚠CAUTION** Blades are sharp! Use great care when hands are around blade area!

3. Loosen four *screws* (A, Fig. 24).

**Note:** Loosen screws by turning in a clockwise direction as viewed from the infeed table.

Carefully remove the *knife* (C, Fig. 24) and the lock bar with screws (B, Fig. 24).

Repeat for the other two blades.

4. Before assembly, clean all parts thoroughly and clear cutterhead knife slots of any dust or debris.
5. Insert knife into the cutterhead channel making sure it faces the proper direction.
6. Insert lock bar and screws and tighten to hold in place. Blades are set at the proper height when the top of the blade is 1/16" above the cutterhead. Do not tighten firmly at this time.
7. Repeat for other two blades.
8. To set the knives to the outfeed table and to the same height in the cutterhead, see *Setting Cutterhead Knives (JJ-6CSX)* on page 16.



Figure 23

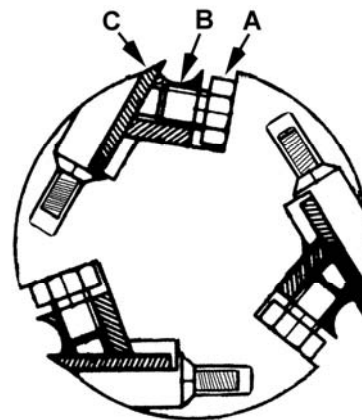


Figure 24

## Outfeed Table Adjustment

When you receive the jointer, the knives have been pre-set at the factory. However, the height and parallelism of the knives with the outfeed table should be checked, and any needed adjustments made, before putting the jointer into operation.

Adjust the height of the outfeed table as follows:

1. Disconnect jointer from power source.
2. Carefully number each blade with a marker to make them easier to differentiate.
3. Place a straightedge upon the outfeed table and extend it over the cutterhead (Figures 25 and 26).

**⚠ WARNING** Jointer knives are dangerously sharp. Do not grab the cutterhead itself to rotate it! Failure to comply may cause serious injury.

4. Rotate the *cutterhead*, using the drive belt or pulley, until *knife number one* is at its highest point. The apex of the knife should just barely come in contact with the straightedge.

If the apex of the *knife number one* just makes contact with the straightedge, no adjustment is required for the outfeed table. Proceed to the *Setting Cutterhead Knives* section.

If the apex of the *knife number one* comes below the straightedge (a gap exists) or pushes the straightedge up, proceed with the following steps:

5. Loosen both *gib lock screws* (B, Fig. 18) and the *lock knob* (Figure 25).
6. Raise or lower the *outfeed table* until the *straight edge* contacts the *knife tip*, as shown in Figure 26. Using the drive belt or pulley, rock the cutterhead slightly to make sure the apex of the knife is just barely contacting the *straight edge*.

When adjustment is complete:

7. Lock the *outfeed table* at that setting by tightening the *lock knob* (Figure 25) and *gib lock screws* (B, Fig. 18). The outfeed table adjustment is complete.

The outfeed table adjustment is only made against one knife (blade number one was arbitrarily selected here). After the outfeed table has been set at the correct height, do not change it except for special operations or after replacing knives.

After this adjustment is completed, it is necessary to proceed to the *Setting Cutterhead Knives* section to verify that all three knives are at the correct height and parallel to the outfeed table.

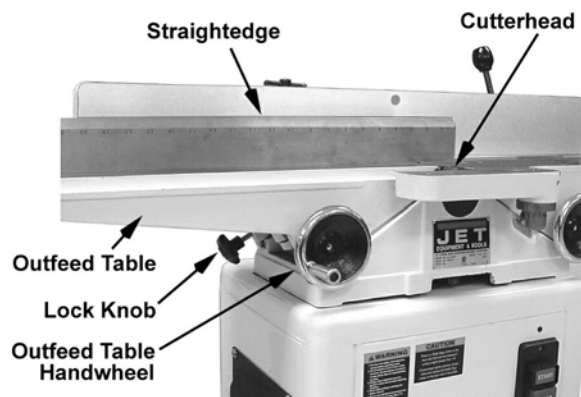


Figure 25

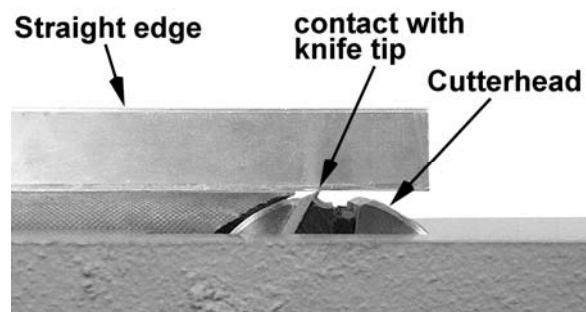


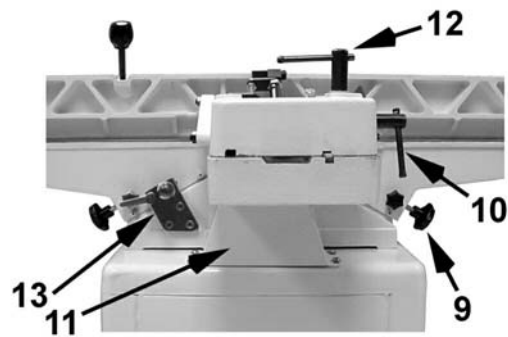
Figure 26

## Operating Controls



Front

1. Hand Wheel for Outfeed Table
2. Outfeed Table
3. Fence
4. Fence Adjustment Handle
5. Cutter Guard
6. Infeed Table
7. Hand Wheel for Infeed Table
8. On/Off Switch



Back

9. Table Lock Knob
10. Fence Tilt Lock Handle
11. Belt Guard
12. Fence Travel Lock Handle
13. Depth Limiter

## Operation

**Important:** Before operating the jointer, make sure all knives or knife inserts are seated and secure in the cutterhead.

If you are inexperienced at jointing, use scrap pieces of lumber to check settings and get the feel of operations before attempting regular work.

Stabilize long workpieces by using an assistant, or roller stands set level with the outfeed or infeed table surface.

The fence should be adjusted to create minimum exposure to the cutterhead during the jointing operation.

Check the following before operating the jointer:

- Outfeed table must be set level with the high point of the knives or knife inserts.
- Fence adjusted for minimum exposure of cutterhead, and locked at desired angle.
- The cutterhead guard must be in place and operating properly (except when rabbeting).
- Infeed table set for desired depth of cut.
- Stand away from the cutterhead and turn the machine on for a few moments. Listen for any odd noises, rubbings, vibrations, etc. Correct such problems before attempting operations on the jointer.
- Carefully check your workpiece for knots, holes, staples or any foreign material that might damage knives or pose a risk of kickback. Also check the workpiece for grain orientation.

## Hand Placement

**⚠WARNING** Never pass hands directly over the cutterhead.

At the start of the cut, the left hand holds the workpiece firmly against the infeed table and fence while the right hand pushes the workpiece in a smooth, even motion toward the cutterhead (Figure 34). After the cut is under way, the new surface rests firmly on the outfeed table. The left hand is transferred to the outfeed side and presses down on this part of the workpiece, at the same time maintaining flat contact with the fence. The right hand presses the workpiece forward and before the right hand reaches the cutterhead it should be moved to the work on the outfeed table.



Figure 34

## Surfacing

**⚠WARNING** Always use a hold down or push block when surfacing stock.

Surfacing, or jointing the face of stock, is shown in Figure 35. Adjust the infeed table for depth of cut. Cuts of approximately 1/16" at a time are recommended, as this allows better control over the material being surfaced. More passes can then be made to reach the desired depth.



Figure 35

## Edge Jointing

Edge Jointing (Figure 36) is the most common operation for the jointer. Set fence square with the table. Depth of cut should be the minimum required to obtain a straight edge. Do not make cuts deeper than 1/8" in a single pass. Hold the best face of the workpiece firmly against the fence throughout the feed.

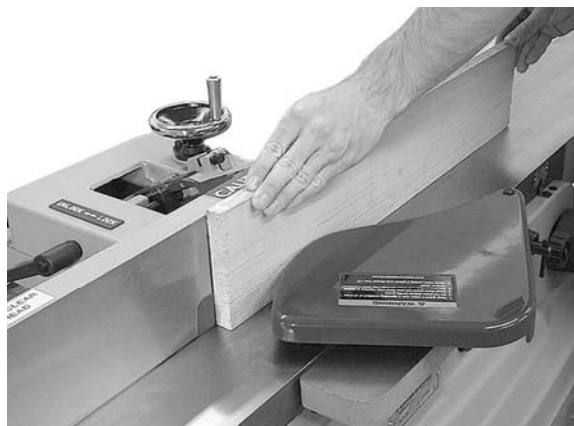


Figure 36

## Rabbeting

A rabbet is a groove cut along the edge of a board. See Figure 37. The width and thickness of the wood to be rabbeted depends upon the width and length of the rabbet. However, never rabbet a piece of wood less than 12" long.

**Note:** The knives must be extended beyond the cutterhead by 1/32". See the *Setting Knives for Rabbeting and Nicks* section on page 20 for this procedure.

**⚠WARNING** A rabbet cut requires removal of the guard. Use extreme caution and keep hands clear of cutterhead. Always re-install guard immediately after rabbeting operation is completed.

Use push blocks to rabbet cut whenever possible. The rabbeting capacity is 1/2".

1. Disconnect jointer from power source.
2. Set fence for desired width of rabbet.
3. Check width of the rabbet by measuring the distance from the end of a knife in the cutterhead to the fence.
4. Re-connect power. It is easier and safer to take a series of shallow cuts. Lower the infeed table 1/32" at a time and make successive cuts until the desired depth of rabbet has been obtained. See Figure 37.

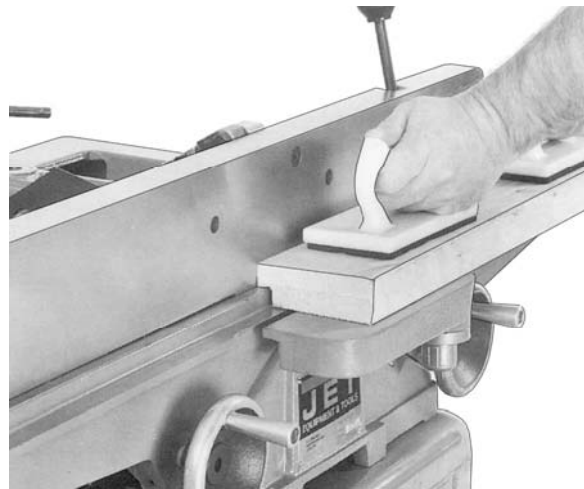


Figure 37

## Jointing Short or Thin Work

When jointing short or thin work pieces, use a push block to eliminate all danger to the hands. Two push blocks are shipped with your jointer. You can also make your own easily from scrap material. Examples are shown in Figure 38.

## Jointing Warped Surfaces

If the wood to be jointed is cupped or bowed, place the concave side down, and take light cuts until the surface is flat.

Avoid forcing such material down against the table – excessive pressure will spring it while passing the knives, and it will spring back and remain curved after the cut is completed.

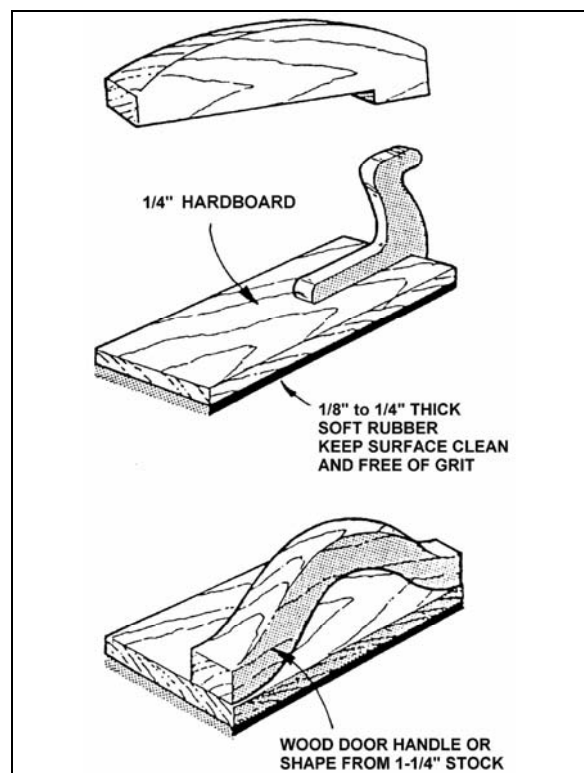


Figure 38

## Beveling

To cut a bevel, lock the fence at the required angle and run the work piece across the knives while keeping it firmly against the fence and tables. Several passes may be necessary to achieve the desired result.

**CAUTION** Although the fence may be tilted in or out for a bevel cut, it is recommended for safety reasons that the fence be tilted in toward the operator, making a cradled cut.

## Direction of Grain

Avoid feeding work into the jointer against the grain. This may result in chipped and splintered edges. See Figure 39. Feed *with* the grain to obtain a smooth surface, as shown in Figure 40.

## Maintenance

### Blade Care

**WARNING** Blades are extremely sharp! Use caution when cleaning or changing. Failure to comply may cause serious injury!

When gum and pitch collect on the blades, carefully remove with a strong solvent. Failure to remove gum and pitch build up may result in excessive friction, blade wear and overheating.

When blades become dull, touch up blades. See *Sharpening the Knives*. NOTE: This does not apply to the JJ-6CSDX or JJ-6HHDX models – knives or inserts must be rotated or replaced on these.

### Sharpening the Knives (JJ-6CSX only)

**WARNING** Blades are extremely sharp! Use caution when handling. Failure to comply may cause serious injury!

1. Disconnect the machine from the power source.
2. Remove the blade guard and belt cover.
3. To protect the infeed table from scratches, partially cover the sharpening stone with paper (Figure 41).
4. Lay the stone on the infeed table.
5. Lower the infeed table and turn the cutterhead by turning the cutterhead pulley. The infeed table height is set properly when the stone's surface is flush with the knife bevel.

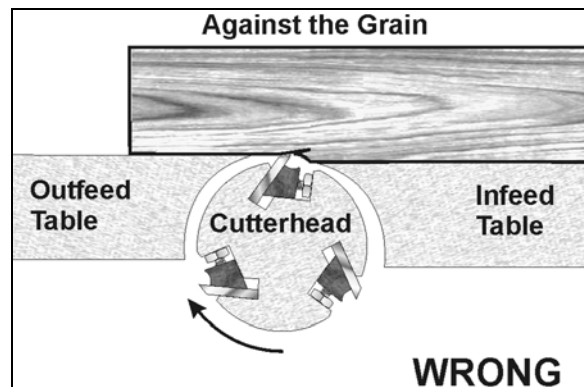


Figure 39

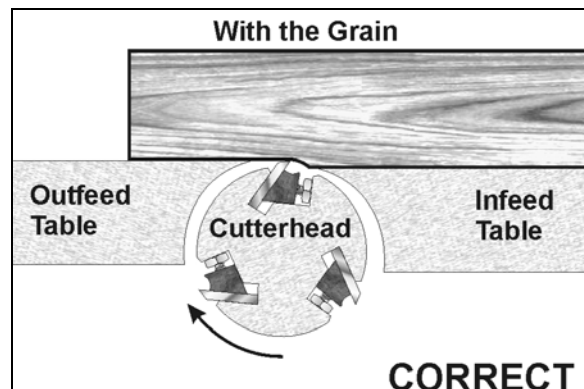


Figure 40

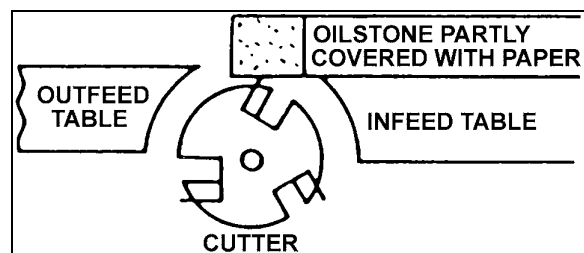


Figure 41

6. Keep the cutterhead from rotating by grasping the cutterhead pulley while sliding the stone back and forth across the table.
7. Take the same amount of passes for all three blades.

When the blades have been sharpened and still are not cutting efficiently, trying to touch up the blades further will only cause the formation of a second beveled edge. When this starts to happen, it is time to replace blades with another set. It is recommended to keep a second set of blades on hand so that they may be installed while the first set is being professionally sharpened.

## Cutterhead Removal

The entire cutterhead assembly may be removed for cleaning or for bearing and blade replacement. Some woodworkers keep a spare cutterhead with replacement blades should the original cutterhead have to be repaired.

**⚠ WARNING** Blades in the cutterhead are sharp! Use extreme caution when handling the removal of the cutterhead. Failure to comply may cause serious injury!

To remove the cutterhead (including bearings, studs, and housing) from the base casting:

Referring to Figure 42:

1. Disconnect the machine from the power source.
2. Remove the front *blade guard* (A) and *screw* (H).
3. Remove the *lock handle* (B), *washer* (C) and *lock nut* (D) securing the *fence assembly* (E) to the *table* (F).
4. Lift the *fence assembly* (E) from the table.
5. From the left side of the stand, remove the *dust chute* (G). From the back of the machine remove the *cabinet access cover* (not shown).

Referring to Figure 43:

6. Using an 8mm hex wrench, loosen two hex cap screws underneath *fence base casting* (E) that secure the casting to the *table* (F). Remove the *fence base casting* and set aside.
7. Remove four *screws* and *washers* (A) securing the *belt guard* (B). Remove the *belt guard*.
8. Remove the *V-belt* (C) from the cutterhead pulley (D). If necessary, loosen the *motor mounting screws* with a 12mm wrench to provide slack on the V-belt.
9. Using a 3mm hex wrench, loosen two set screws that secure the *cutterhead pulley* (D) to the cutterhead shaft. Set the pulley and shaft key aside.

10. Using a 14mm wrench, remove two *screws* (A, Fig. 44) and *lock washers* that secure the cutterhead bearing housings to the base.

**Note:** These screws and lock washers are more easily accessible through the dust chute.

11. Carefully remove the cutterhead (A, Fig. 45).
12. Before placing the new cutterhead back into the casting, thoroughly clean the "saddle" and the bearing housings of saw dust and grease so that they seat properly.

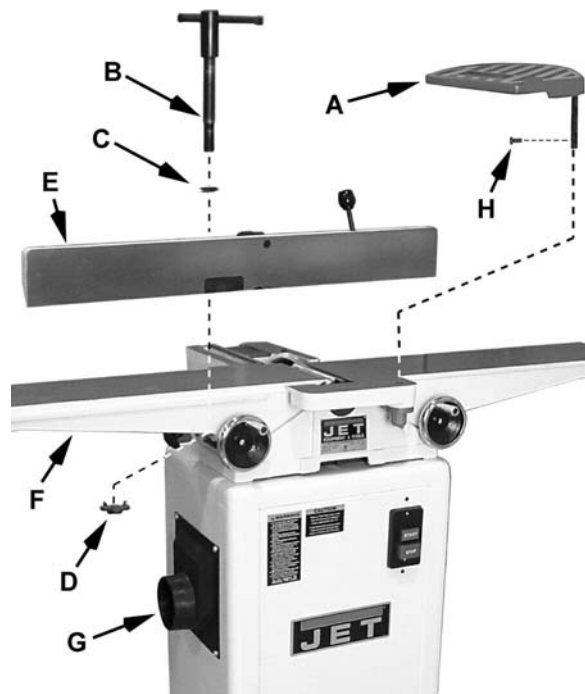


Figure 42

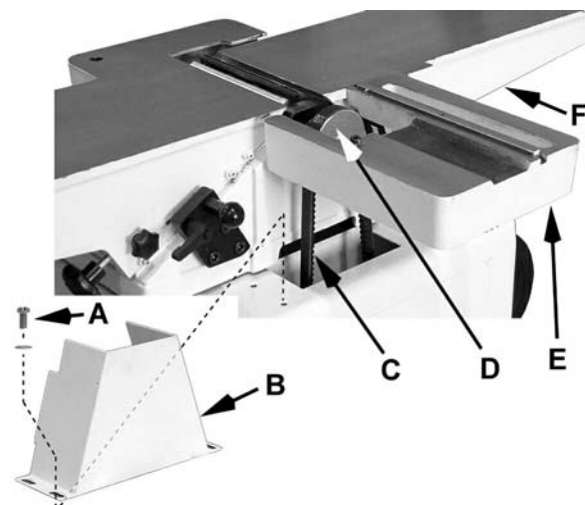


Figure 43

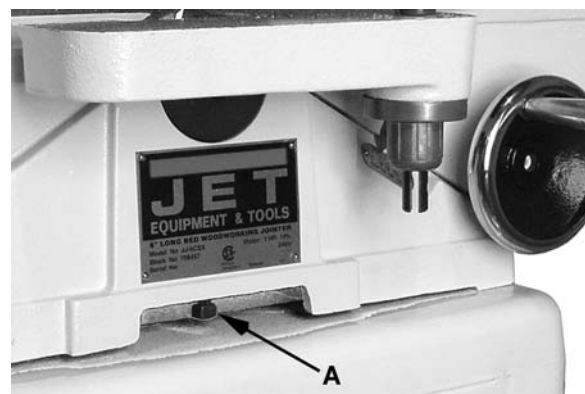


Figure 44

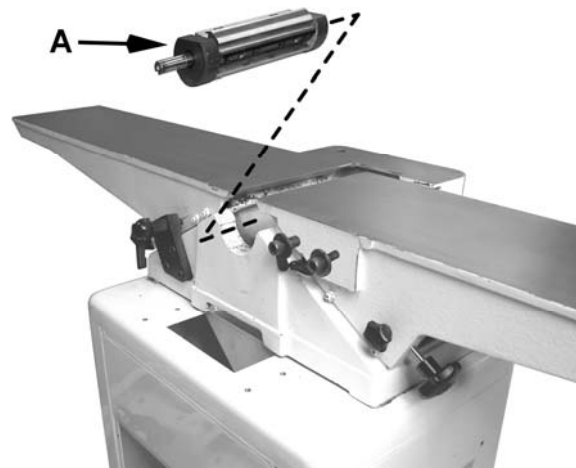
13. To re-install the cutterhead, reverse the above steps.

**Note:** Make sure that the fence base casting is level with the Outfeed table when securing.

## Lubrication

- ❑ Use a good grade of light grease on the steel adjusting screws located in the raising and lowering mechanisms of the work tables.
- ❑ Occasionally, apply a few drops of light machine oil to the infeed/outfeed gibs. This permits the tables to slide freely.

The cutterhead ball bearings are lifetime lubricated and need no further care.



*Figure 45*



## Troubleshooting Operating Problems

Trouble	Probable Cause	Remedy
Finished stock is concave on back end.	Knife is higher than outfeed table.	Raise outfeed table until it aligns with tip of knife. See <i>Outfeed Table Adjustment</i> (page 18).
Finished stock is concave on front end.	Outfeed table is higher than knife.	Lower outfeed table until it aligns with tip of knife. See <i>Outfeed Table Adjustment</i> (page 18).
Chip out.	Cutting against the grain.	Cut with the grain whenever possible.
	Dull knives or knife inserts.	Sharpen or replace knives. Rotate or replace knife inserts.
	Feeding workpiece too fast.	Use slower rate of feed.
	Cutting too deeply.	Make shallower cuts.
	Knots, imperfections in wood.	Inspect wood closely for imperfections; use different stock if necessary.
Fuzzy grain.	Wood has high moisture content.	Allow wood to dry or use different stock.
	Dull knives or knife inserts.	Sharpen or replace knives. Rotate or replace knife inserts.
Cutterhead slows while operating.	Feeding workpiece too quickly, or applying too much pressure to workpiece.	Feed more slowly, or apply less pressure to workpiece.
"Chatter" marks on workpiece.	Knives incorrectly set.	Set knives properly as described in the <i>Setting Cutterhead Knives</i> section. Check that knife slots are clean and free of dust or debris.
	Feeding workpiece too fast.	Feed workpiece slowly and consistently.
Uneven knife marks on workpiece.	Knives are nicked, or out of alignment.	Align knives per the <i>Setting Cutterhead Knives</i> section. Replace nicked knives or correct for small nicks – see <i>Setting Knives for Rabbeting and Nicks</i> on page 20.

## Troubleshooting Mechanical and Electrical Problems

Trouble	Probable Cause	Remedy
Machine will not start/restart or repeatedly trips circuit breaker or blows fuses.	No incoming power.	Verify unit is connected to power, on-button is pushed in completely, and stop-button is disengaged.
	Building circuit breaker trips or fuse blows.	Verify that jointer is on a circuit of correct size. If circuit size is correct, there is probably a loose electrical lead. Check amp setting on motor starter.
	Switch or motor failure (how to distinguish).	If you have access to a voltmeter, you can separate a switch failure from a motor failure by first, verifying incoming voltage at 110/220+/-10% and second, checking the voltage between switch and motor at 110/220+/-10%. If incoming voltage is incorrect, you have a power supply problem. If voltage between switch and motor is incorrect, you have a switch problem. If voltage between switch and motor is correct, you have a motor problem.
	Motor overheated.	Clean motor of dust or debris to allow proper air circulation. Allow motor to cool down before restarting.
	Motor failure.	If electric motor is suspect, you have two options: Have a qualified electrician test the motor for function or remove the motor and take it to a qualified electric motor repair shop and have it tested.
	Unit incorrectly wired.	Double check to confirm all electrical connections are correct. Refer to the <i>Wiring Diagram</i> section to make any needed corrections.
	On/off switch failure.	If the on/off switch is suspect, you have two options: Have a qualified electrician test the switch for function, or purchase a new on/off switch and establish if that was the problem on change out.

## Optional Accessories

708801 .....Knives for Model JJ-6CSX Jointer (set of 3)  
 708801DX .....Knives for Model JJ-6CSDX Jointer (set of 3)  
 708815 .....Push Block  
 1791212 .....Knife Inserts for Model JJ-6HHDX (set of 10)

# Parts

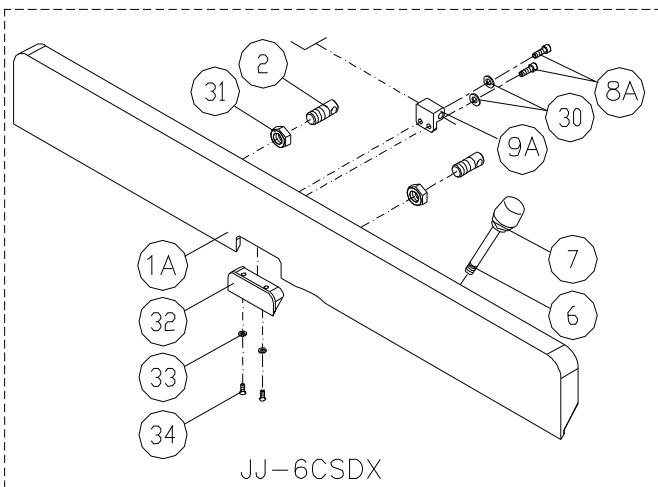
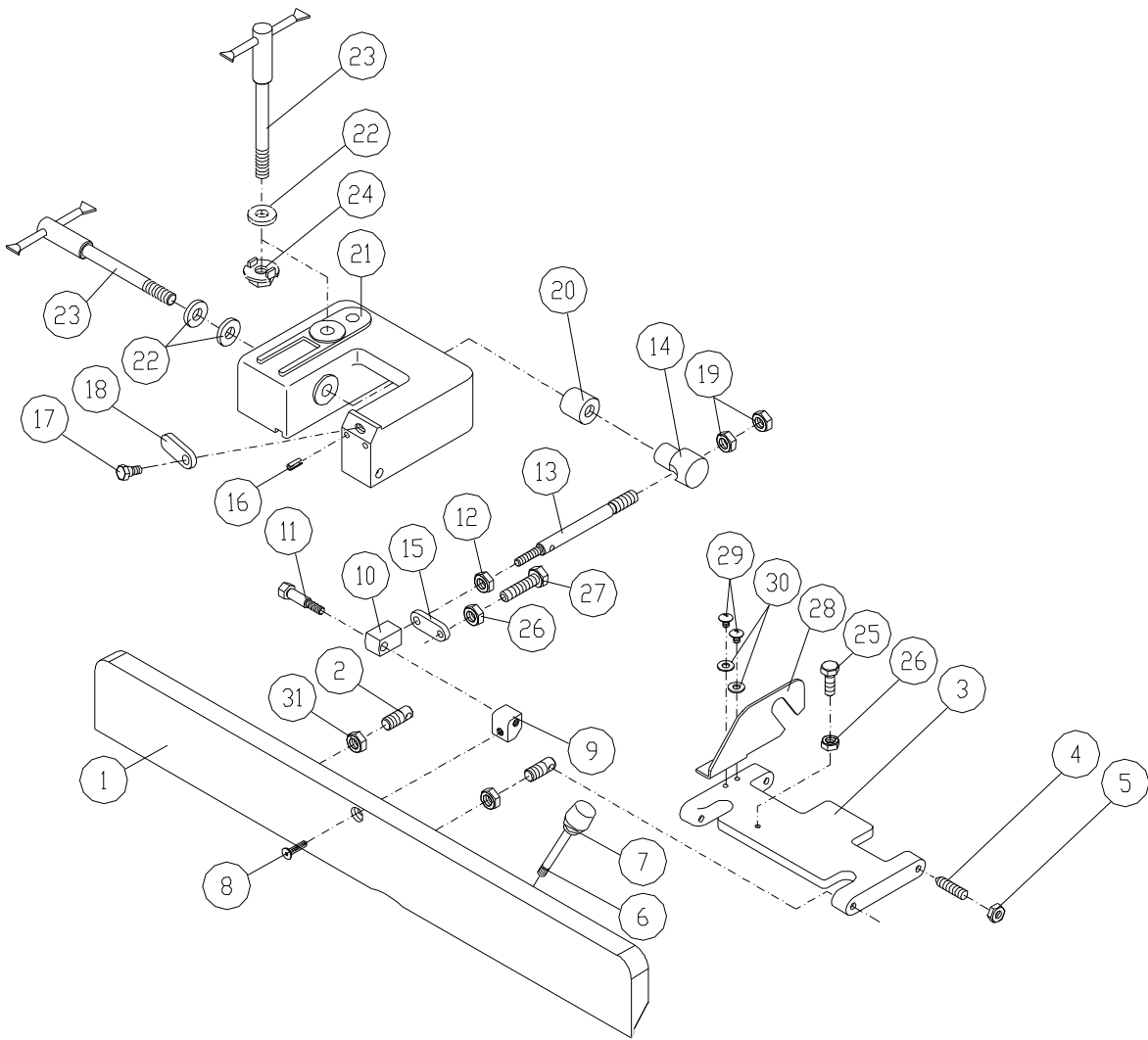
## Ordering Replacement Parts

To order parts or reach our service department, call 1-800-274-6848, Monday through Friday (see our website for business hours: [www.jetttools.com](http://www.jetttools.com)). Having the Model Number and Serial Number of your machine available when you call will allow us to serve you quickly and accurately.

## Fence – Parts All Models

Index No.	Part No.	Description	Size	Qty.
	JEJ-FW	Fence Assembly Complete (JJ-6CSX)		1
	JJ6CSDX-FAC	Fence Assembly Complete (JJ-6CSDX)		1
1	JEJ-F01W	Fence Body (JJ-6CSX)		1
1A	JJ6CSDX-201	Fence Body (JJ-6CSDX)		1
2	JEJ-F14	Fence Link		2
3	JEJ-F02W	Tilt Plate (JJ-6CSX)		1
	JJ6CSDX-203	Tilt Plate (JJ-6CSDX)		1
4	JED-F16	Threaded Stud		4
5	TS-0561031	Hex Nut	3/8"-16	4
6	JEB-F09	Handle		1
7	5DF-I09	Knob		1
8	5CH-F13A	Flat Head Socket Screw (JJ-6CSX)	5/16"x1-5/8"	2
8A	TS-0207041	Socket Head Cap Screw (JJ-6CSDX)	1/4"-20x3/4"	2
9	JED-F02	Block (JJ-6CSX)		1
9A	PJ882-142	Fixed Block (JJ-6CSDX)		1
10	JEJ-F03	Block		1
11	JEJ-F04	Bolt		1
12	TS-0561041	Hex Nut	7/16"-14	1
13	JEJ-F05	Stud		1
14	JEJ-F06	Swivel Block		1
15	JEJ-F07	Plate		1
16	5FF-J12	Spring Pin	Ø4x12	1
17	JEJ-F08	Hex Cap Bolt		1
18	JEJ-F09	Plate		1
19	TS-0561072	Hex Nut	5/8"-18UNF	2
20	JEJ-F10	Bushing		1
21	JEJ-F11W	Fence Bracket (JJ-6CSX)		1
	JJ6CSDX-221	Fence Bracket (JJ-6CSDX)		1
22	TS-0680061	Flat Washer	1/2"	3
23	JEJ-F12	Lock Handle		2
24	JED-F17	Lock Nut		1
25	TS-0051051	Hex Cap Screw	5/16"-18x1"	1
26	TS-0561021	Hex Nut	5/16"-18	2
27	TS-0051081	Hex Cap Screw	5/16"-18x1-3/4"	1
28	JED-F03	Plate		1
29	TS-0813032	Screw	1/4"-20x1/2"	2
30	TS-0680021	Flat Washer (JJ-6CSX)	1/4"	2
	TS-0680021	Flat Washer (JJ-6CSDX)	1/4"	4
31	TS-0561052	Hex Nut	1/2"-20UNF	2
32	PJ882-144	Pad Block (JJ-6CSDX)		1
33	TS-069204	Flat Washer (JJ-6CSDX)	#10	2
34	TS-0206021	Socket Head Cap Screw (JJ-6CSDX)	#10-24x1/2"	2

# Fence – Assembly All Models



## Stand – Parts, JJ-6CSX and JJ-6CSDX

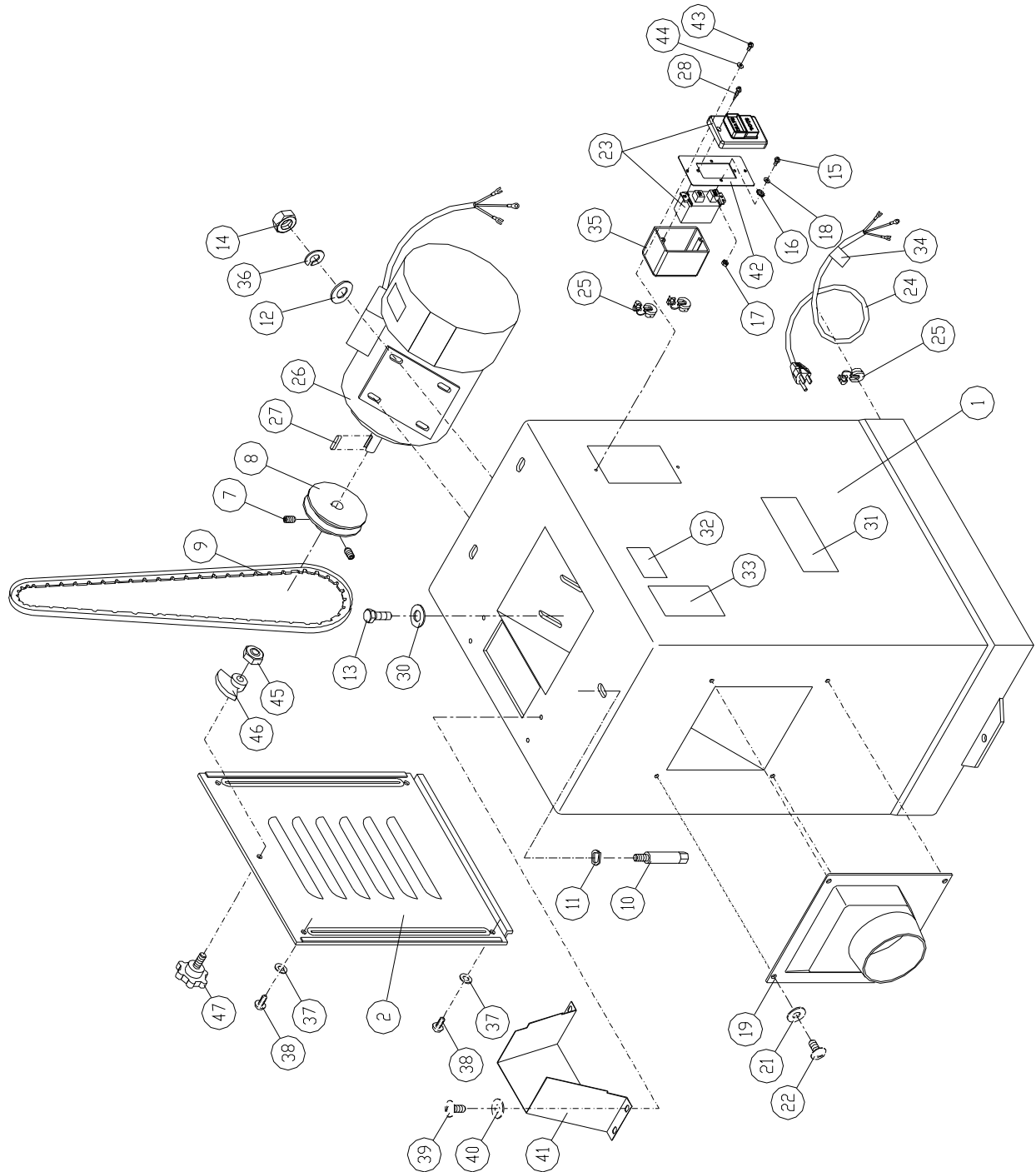
Index No.	Part No.	Description	Size	Qty.
1	JJ-Y01W	Stand Body		1
2	JJ-Y01AW	Access Cover		1
7	TS-0267041	Set Screw	1/4"-20x3/8"	2
8	JH-M10	Motor Pulley (JJ-6CSX)		1
	6296125	Motor Pulley (JJ-6CSDX)		1
9	VB-A36	V-Belt (JJ-6CSX)	A-36	1
	VB-A37	V-Belt (JJ-6CSDX)	A-37	1
10	JC-M07	Lock Bolt*	3/8"-16	3
11	TS-0720091	Lock Washer*	3/8"	3
12	TS-0680031	Flat Washer	5/16"	4
13	TS-0051031	Hex Head Bolt	5/16"-18x3/4"	4
14	TS-0561021	Hex Nut	5/16"-18	4
15	TS-081B042	Screw	#8-32x5/8"	2
16	5EA-D05	Star Washer	#8	2
17	TS-0560061	Hex Nut	#8-32	2
18	TS-1550021	Flat Washer	M4	2
19	JEX-S02	Dust Chute		1
21	TS-0680021	Flat Washer*	1/4"	4
22	TS-081F032	Screw*	1/4"-20x1/2"	4
23	994542	Switch		1
24	JJ-X02	Power Cord		1
25	5QA-I04	Strain Relief Bushing		3
26	JJ-X04W	Motor	1HP	1
	JJ-X04-AA	Centrifugal Switch (not shown)		1
	JJ-X04-B	Capacitor (motor – not shown)	300MFD 125VAC	1
	JJ-X04-CA	Capacitor Cover		1
	JJ-X04-DA	Junction Box (motor – not shown)		1
	JJ-X04-EA	Junction Box Cover (motor – not shown)		1
	JJ-X02-A	Motor Cord (not shown)		1
	JJ6CS-HK	Hardware Kit (not shown)		1
	TS-152704	Hex Key Wrench (3mm – not shown)*		1
	JJ6CS-OEW	Open End Wrench (8/10mm – not shown)*		1
	JJ6CS-OEW2	Open End Wrench (12/14mm – not shown)*		1
	TS-227D081	Hex Wrench (8mm – not shown)**		1
	JJ6CSDX-326A	T-Hex Wrench (4mm – not shown)**		1
27	JJ6-03CS	Key	5x5x30	1
28	5AL-C10B	Tapping Screw	M4x25	2
30	TS-0680031	Flat Washer	5/16"	4
31	PG-M02	JET Logo Label		1
32	JJ6CSX-332	Warning Label		1
33	JEB-S07	Warning Label		1
34	JEB-S08	Voltage Label		1
35	JEB-S09	Switch Box		1
36	TS-0720081	Lock Washer	5/16"	4
37	TS-1550021	Flat Washer*	M4	4
38	TS-0803032	Screw*	#5-40x3/8"	4
39	TS-081F032	Screw*	1/4"-20x1/2"	4
40	TS-0680021	Flat Washer*	1/4"	4
41	JEY-S03W	Belt Guard		1
42	JEY-S07	Plate		1
43	TS-081C032	Screw	#10-24x1/2"	2
44	TS-069204	Flat Washer	#10	2

\* included in Hardware Kit for JJ-6CSX

\*\*,\*\* included in Hardware Kit for JJ-6CSDX

# Stand – Parts and Assembly, JJ-6CSX and JJ-6CSDX

45.....	TS-0561031.....	Hex Nut.....	3/8"-16.....	1
46.....	JC-M05.....	Door Latch.....		1
47.....	JC-M04.....	Knob Screw.....		1

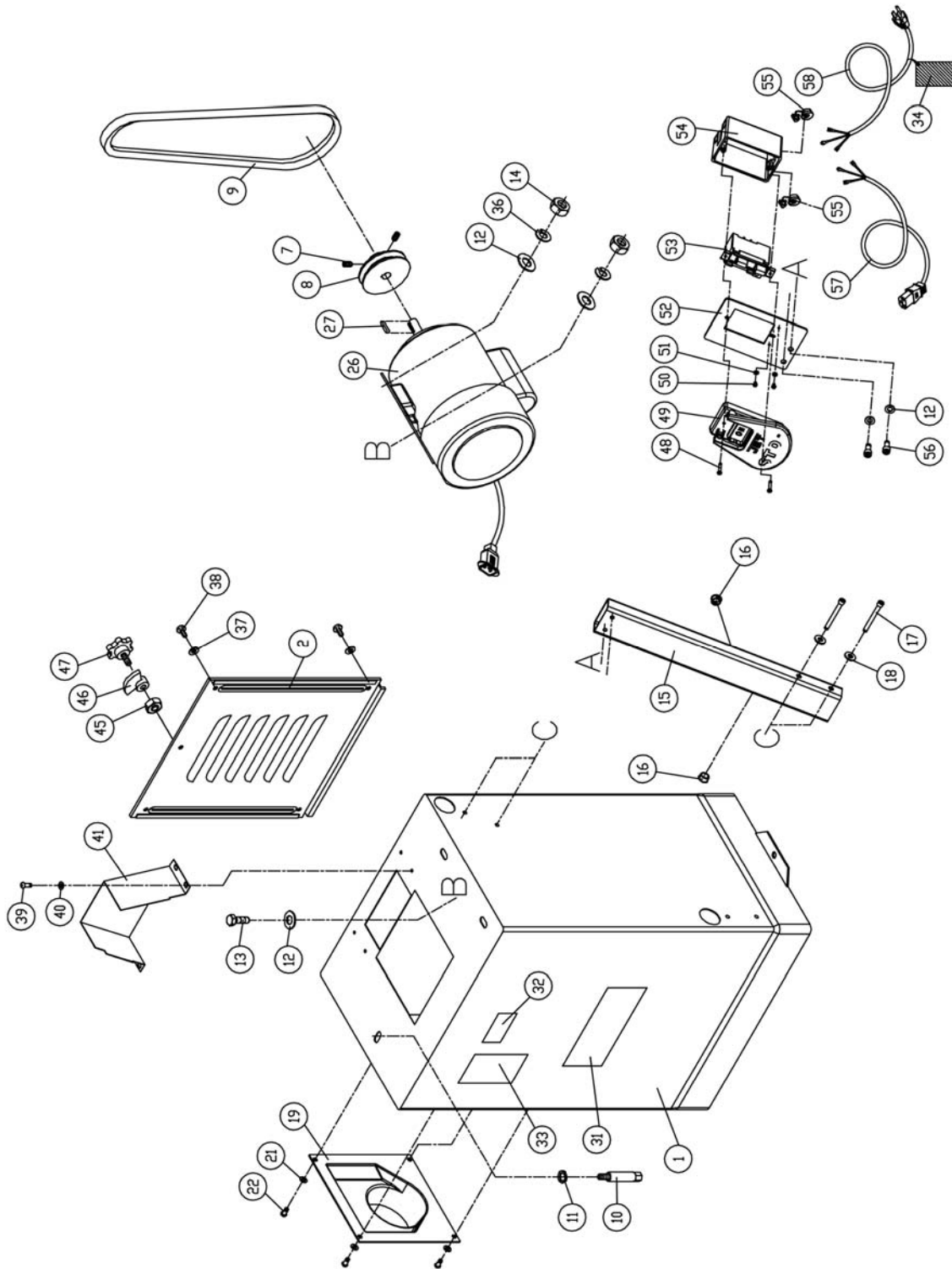


## Stand – Parts, JJ-6HHDX only

Index No.	Part No.	Description	Size	Qty.
1	JJ6HH-301	Stand Body		1
2	JI-Y01AW	Access Cover		1
7	TS-0267041	Set Screw	1/4"-20x3/8"	2
8	6296125	Motor Pulley		1
9	VB-A37	V-Belt	A-37	1
10	JC-M07	Lock Bolt*	3/8"-16	3
11	TS-0720091	Lock Washer*	3/8"	3
12	TS-0680031	Flat Washer	5/16"	10
13	TS-0081031	Hex Cap Screw	5/16"-18x3/4"	4
14	TS-0561021	Hex Nut	5/16"-18	4
15	JJ6HH-315	Switch Arm		1
16	JJ6HH-316	Cord Protector		2
17	TS-0208141	Socket Head Cap Screw*	5/16"-18x3"	2
18	TS-0680031	Flat Washer*	5/16"	2
19	JEX-S02	Dust Chute		1
21	TS-0680021	Flat Washer*	1/4"	4
22	TS-081F032	Screw*	1/4"-20x1/2"	4
26	JI-X04W	Motor	1HP	1
	JI-X04-AA	Centrifugal Switch (not shown)		1
	JI-X04-B	Capacitor (motor – not shown)	300MFD 125VAC	1
	JI-X04-CA	Capacitor Cover		1
	JI-X04-DA	Junction Box (motor – not shown)		1
	JI-X04-EA	Junction Box Cover (motor – not shown)		1
	JI-X02-A	Motor Cord (not shown)		1
	TS-152704	Hex Key Wrench (3mm – not shown)*		1
	TS-152707	Hex Key Wrench (6mm – not shown)*		1
	JJ6CS-OEW	Open End Wrench (8/10mm – not shown)*		1
	JJ6CS-OEW2	Open End Wrench (12/14mm – not shown)*		1
27	JJ6-03CS	Key	5x5x30	1
31	PG-M02	JET Logo Label		1
32	JJ6CSX-332	Warning Label		1
33	JEB-S07	Warning Label		1
34	JEB-S08	Voltage Label		1
36	TS-0720081	Lock Washer	5/16"	4
37	TS-1550021	Flat Washer*	M4	4
38	TS-0803032	Screw*	#5-40x3/8"	4
39	TS-081F032	Screw*	1/4"-20x1/2"	4
40	TS-0680021	Flat Washer*	1/4"	4
41	JEY-S03W	Belt Guard		1
45	TS-0561031	Hex Nut	3/8"-16	1
46	JC-M05	Door Latch		1
47	JC-M04	Knob Screw		1
48	JJ6HH-348	Screw	M4x25	2
49	JPS10TS-342	Stop Switch Face Plate		1
50	TS-2171012	Screw	M4x6	2
51	JJ6HH-351	Star Washer	M4	2
52	JJ6HH-352	Switch Plate		1
53	JPS10TS-343	Main Switch		1
54	JPS10TS-347	Switch Box		1
55	JJ6HH-355	Strain Relief		2
56	TS-0208021	Socket Head Cap Screw	5/16"-18x1/2"	2
57	JJ6HH-357	Motor Cord		1
58	JJ6HH-358	Power Cord		1
59	JJ6HH-113	Star Point Screwdriver (not shown)*		2
	JJ6HH-HK	Hardware Kit (contains items marked with *)		1

\* included in JJ6HH-HK, Hardware Kit

# Stand – Assembly, JJ-6HHDX only

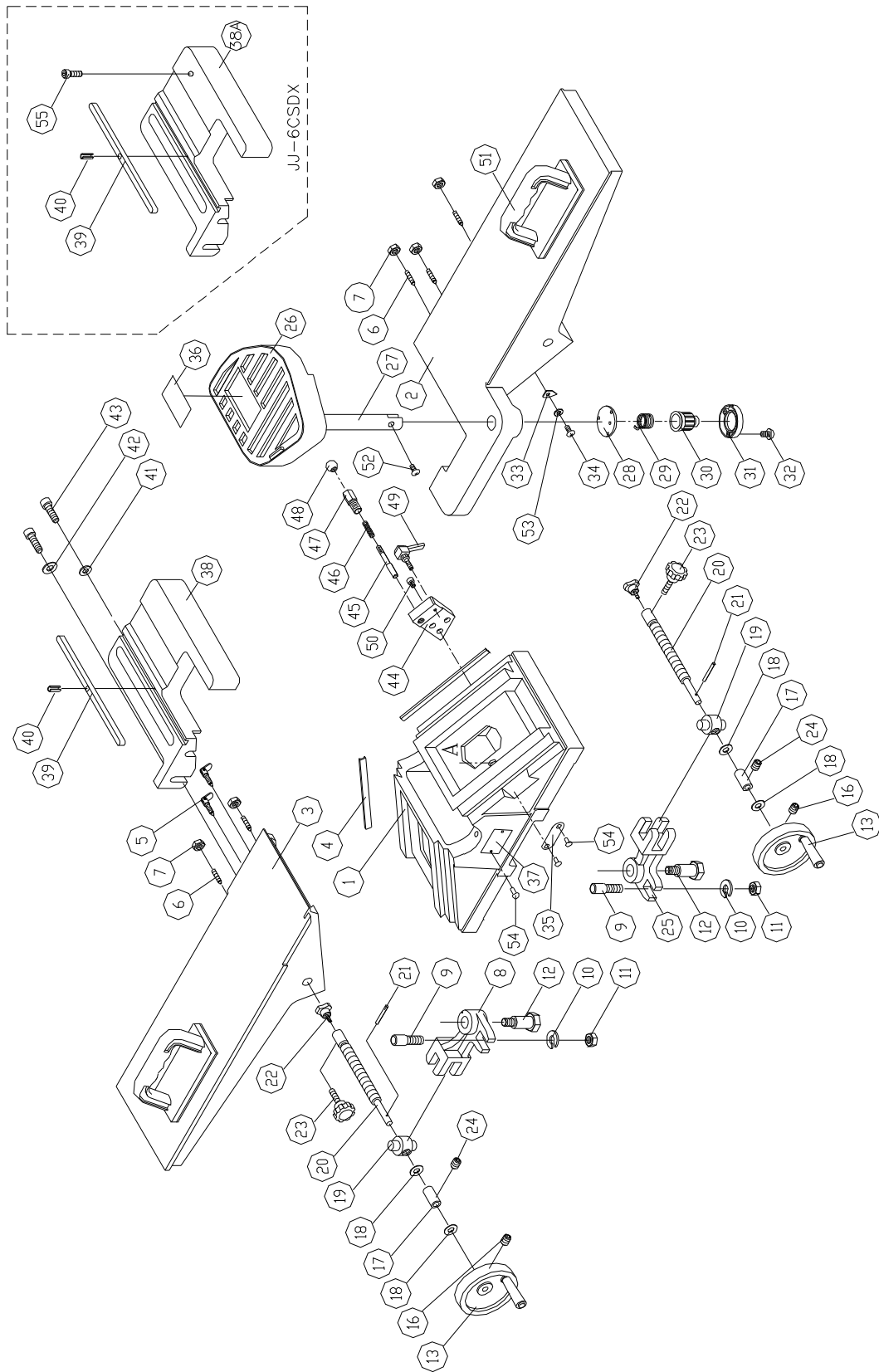




## Bed – Parts All Models

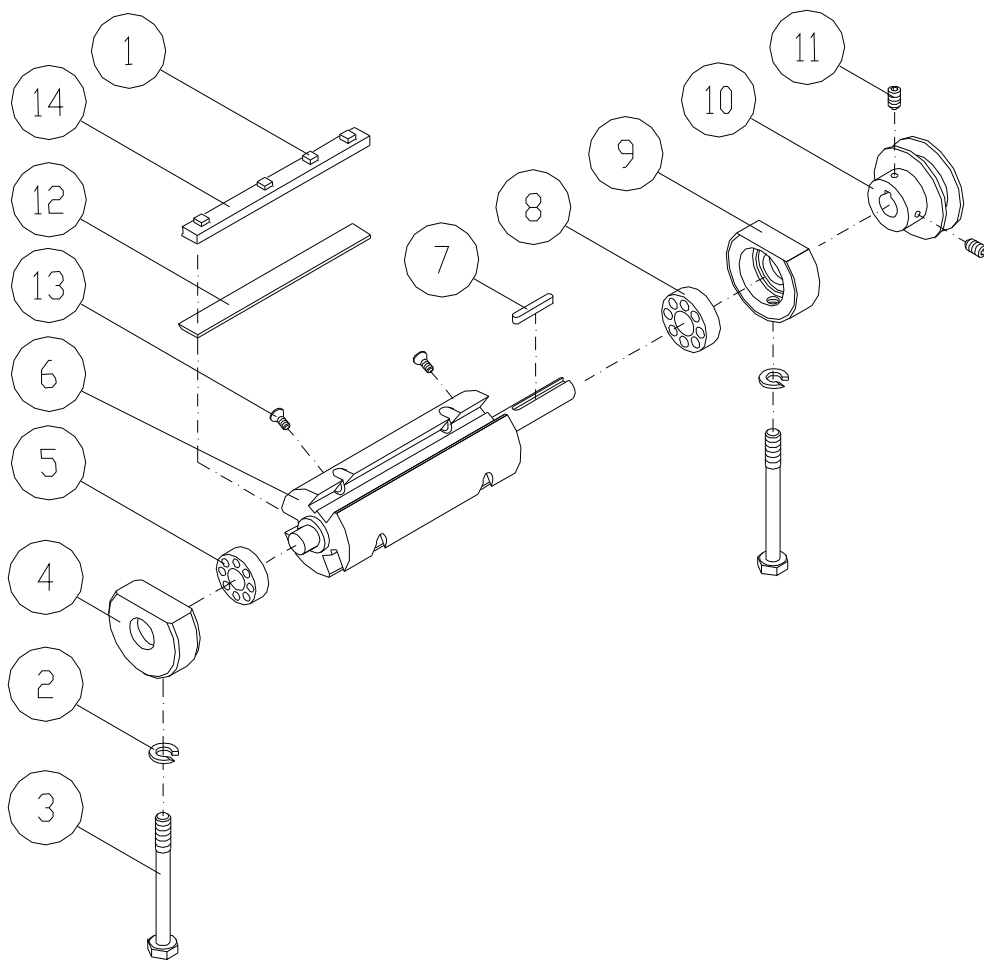
Index No.	Part No.	Description	Size	Qty.
1	JI-T01W	Base		1
2	JI-T02W	Front Table (JJ-6CSX)		1
	JJ6CSDX-402	Front Table (JJ-6CSDX)		1
3	JI-T03W	Rear Table (JJ-6CSX)		1
	JJ6CSDX-403	Rear Table (JJ-6CSDX)		1
4	JI-T04	Gib		2
5	JH-T30	Lock Screw		2
6	TS-0267091	Set Screw	1/4"-20x1"	5
7	TS-0561011	Hex Nut	1/4"-20	5
8	JI-T07W	Ball Crank		1
9	JI-T06	Shoulder Pin		2
10	TS-0680061	Flat Washer	1/2"	2
11	PJ882-118	Hex Nut	1/2"-12	2
12	JH-T11	Pivot Pin		2
13	JJ6CSX-413	Handwheel Assembly		2
16	TS-0267041	Set Screw	1/4"-20x3/8"	2
17	JH-T16	Bushing		2
18	JH-T17	Washer		4
19	JH-T18	Adjusting Nut		2
20	JH-T19	Adjusting Screw		2
21	5F-E108	Pin	Ø3x24	2
22	JH-T20	Lock Knob		2
23	JH-T21	Lock Knob		2
24	TS-0270031	Set Screw	5/16"-18x3/8"	2
25	JH-T12W	Ball Crank		1
26	JH-T22	Cutterhead Guard		1
27	JH-T23	Guard Post		1
28	JH-T24	Retaining Washer		1
29	JH-T25	Spring		1
30	JH-T26	Spring Knob		1
31	JH-T27	Retainer		1
32	TS-081B042	Screw	#8-32x5/8"	3
33	JC-T17	Pointer		1
34	TS-081B012	Screw	#8-32x1/4"	1
35	JJ6-19	Depth Scale		1
36	JJ6-01CS	Warning Label		1
37	JJ6-02CS	I.D Label (JJ-6CSX)		1
	JJ6CSDX-437	I.D Label (JJ-6CSDX)		1
	JJ6HH-437	I.D Label (JJ-6HHD)		1
38	JEJ-B14W	Fence Base (JJ-6CSX)		1
38A	JJ6CSDX-438	Fence Base (JJ-6CSDX)		1
39	JED-B02	Key		1
40	5FF-J12	Spring Pin	Ø4x20	1
41	TS-0680041	Flat Washer	3/8"	1
42	TS-0680041	Flat Washer	3/8"	1
43	TS-0209071	Socket Head Cap Screw	3/8"-16x1-1/2"	2
44	JEY-B01	1/8" Set Block		1
45	JEA-B06	Stud		1
46	JEA-B08	Spring		1
47	JEA-B09	Stud		1
48	5DF-B05	Knob		1
49	5CO-D09B	Lock Handle	1/4"-20x7/8"	1
50	TS-0208041	Hex Socket Cap Screw	5/16"-18x3/4"	3
51	708815	Push Block		2
52	TS-1533032	Screw	M5x0.8Px10	1
53	TS-1550021	Flat Washer	M4	1

54.....5F-H051.....Rivet.....6  
 55.....TS-0207021.....Socket Head Cap Screw (JJ-6CSDX).....1/4"-20x1/2".....1



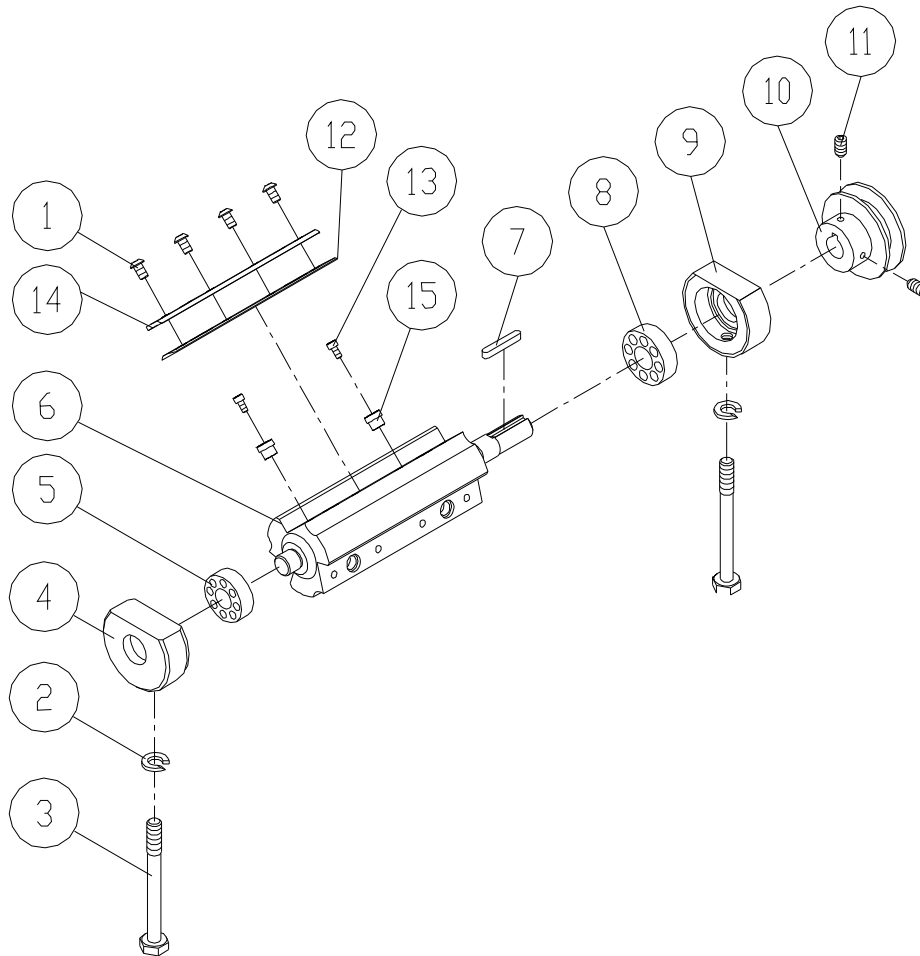
## Cutterhead – Parts and Assembly JJ-6CSX

Index No.	Part No.	Description	Size	Qty.
.....	JEE-C01A.....	Cutterhead Assembly (Index #s 1-14).....		1
1.....	JC-C06.....	Hex Screw.....		12
2.....	TS-0720091.....	Lock Washer.....	3/8"	2
3.....	JEA-B01.....	Bolt.....		2
4.....	3H-C02.....	Bearing Housing.....		1
5.....	BB-6202ZZ.....	Ball Bearing.....	6202ZZ	1
6.....	JEE-C01.....	Cutterhead.....		1
7.....	5F-G108.....	Key.....	5x5x25	1
8.....	BB-6203ZZ.....	Ball Bearing.....	6203ZZ	1
9.....	JH-C04.....	Bearing Housing.....		1
10.....	JH-C07.....	Cutterhead Pulley.....		1
11.....	TS-0267041.....	Set Screw.....	1/4"-20x3/8"	2
12.....	708801.....	Knife for JJ-6CSX (set of 3).....		1
13.....	5AH-D06A.....	Flat Head Socket Screw.....		6
14.....	JL-C02.....	Knife Lock Bar.....		3



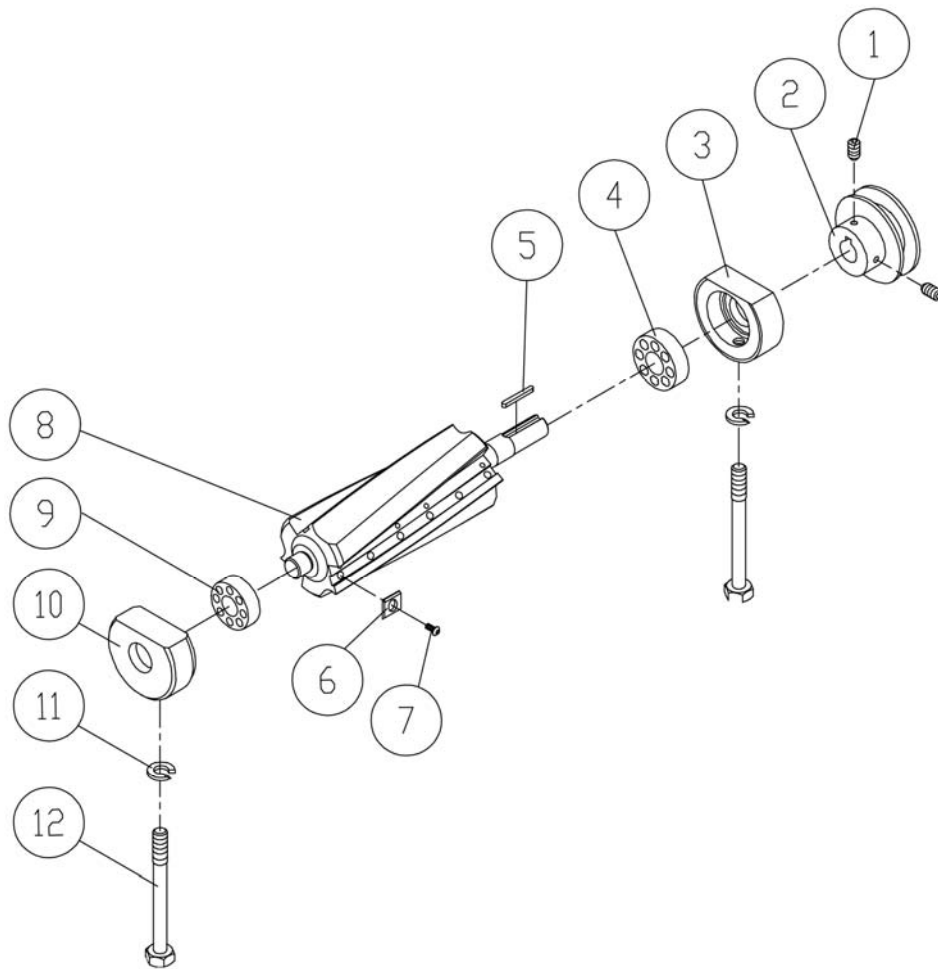
## Cutterhead – Parts and Assembly JJ-6CSDX

Index No.	Part No.	Description	Size	Qty.
.....	JJ6CSDX-CA	Cutterhead Assembly (Index #s 1-15)		1
1.....	JJ6CSDX-101	Special Button Head Socket Screw		12
2.....	TS-0720091	Lock Washer	3/8"	2
3.....	JEA-B01	Bolt		2
4.....	3H-C02	Bearing Housing		1
5.....	BB-6202ZZ	Ball Bearing	6202ZZ	1
6.....	JJ6CSDX-106	Cutterhead		1
7.....	5F-G108	Key	5x5x25	1
8.....	BB-6203ZZ	Ball Bearing	6203ZZ	1
9.....	JH-C04	Bearing Housing		1
10.....	JH-C07	Cutterhead Pulley		1
11.....	TS-0267041	Set Screw	1/4"-20x3/8"	2
12.....	708801DX	Knife for JJ-6CSDX (set of 3)		1
13.....	TS-1501021	Socket Head Cap Screw	M4-0.7Px8	6
14.....	JJ6CSDX-114	Knife Lock Bar		3
15.....	JJ6CSDX-115	Adjustment Nut		6



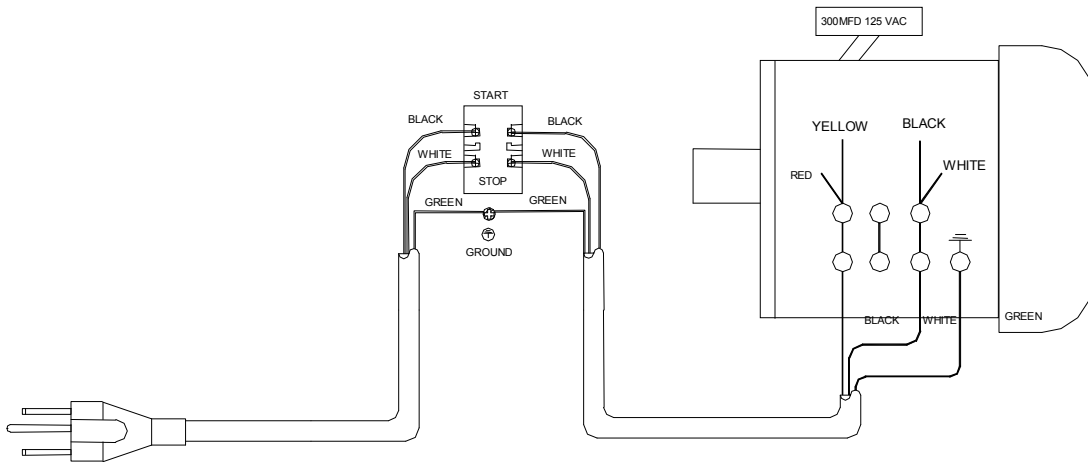
## Cutterhead – Parts and Assembly JJ-6HHDX

Index No.	Part No.	Description	Size	Qty.
.....	JJ6HH-CA.....	Cutterhead Assembly (Index # 1 thru 12).....		1
1.....	TS-0267041.....	Socket Set Screw.....	1/4"-20x3/8.....	2
2.....	JH-C07.....	Cutterhead Pulley.....		1
3.....	JH-C04.....	Bearing Housing.....		1
4.....	BB-6203VV.....	Ball Bearing.....	6203VV.....	1
5.....	5F-G108.....	Key.....	5x5x25.....	1
.....	1791221-4.....	Helical Cutterhead Unit (Index # 6 thru 8).....		1
6.....	1791212.....	Knife Insert (set of 10).....		total 27
7.....	JWP208HH-111.....	Knife Insert Screw.....	#10-32x1/2.....	27
8.....	JJ6HH-108.....	Helical Cutterhead.....		1
9.....	BB-6202VV.....	Ball Bearing.....	6202VV.....	1
10.....	3H-C02.....	Bearing Housing.....		1
11.....	TS-0720091.....	Lock Washer.....	3/8".....	2
12.....	JEA-B01.....	Bolt.....	3/8"-24x3-1/2".....	2



# Wiring Diagram – All Models

## ELECTRICAL SCHEMATIC - 115V



## ELECTRICAL SCHEMATIC - 230V

